



**National Business Furniture**

# Assembly Instructions

## Symphony Bariatric and Loveseat

**Tools required:** 9/16" ratchet and Allen wrench (included in hardware pack.)

**Note:** These instructions are intended for various models and configurations. Your products may not look exactly as those shown in the diagrams.

**Important:** The assembly process requires that some hardware be kept loose until later in the sequence. Follow these instructions closely to ensure correct assembly.

**Recommendation:** Retighten all bolts on a seasonal basis to ensure your product remains strong and stable for many years of use.

### Parts List

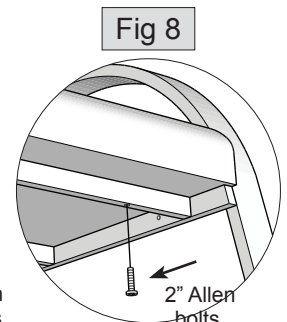
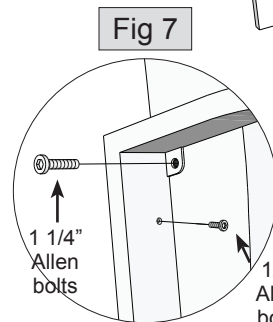
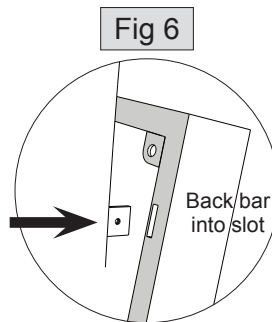
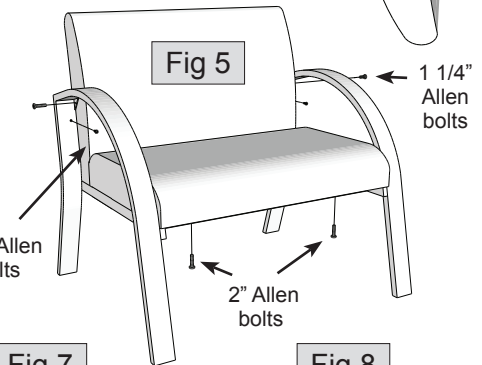
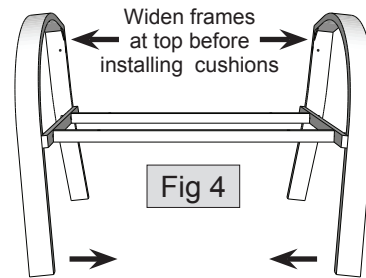
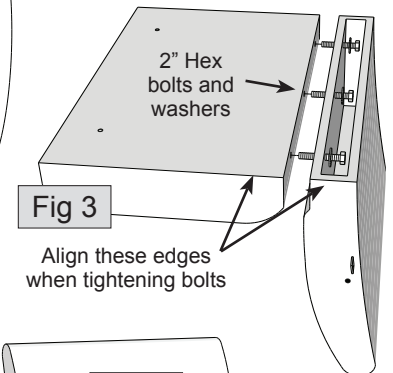
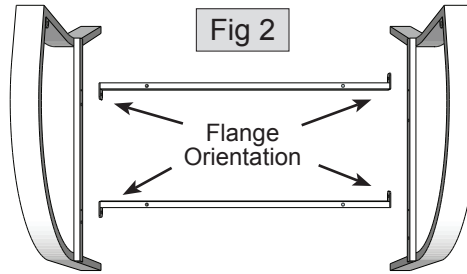
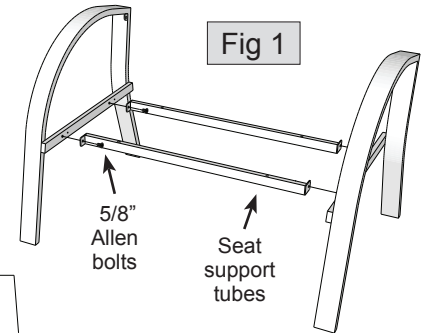
Leg Frame, Left  
Leg Frame, Right  
Seat Support Tubes, 2 pcs.  
Back Cushion  
Seat Cushion

### Hardware Pack

5/8" Allen Bolts, 4 pcs.  
1/2" Allen Bolts, 2 pcs.  
1 1/4" Allen Bolts, 2 pcs.  
2" Allen Bolts, 2 pcs.  
Allen Wrenches, 2 pcs.

2" Hex Bolts:  
3 pcs. for Bariatric  
4 pcs. for Loveseat  
Washers:  
3 pcs. for Bariatric  
4 pcs. for Loveseat

1. Unpack and identify all parts.
2. Attach seat support tubes to leg frames using 5/8" Allen bolts, as shown in figure 1. Pay attention to flange orientation in figure 2. Keep bolts quite loose for now.
3. Connect back cushion to seat cushion using 2" hex bolts and washers into threaded inserts, as shown in figure 3. Keep bolts slightly loose for now.
4. Prepare the frame for accepting the cushions by adjusting the legs inward at the bottom and outward at the top, as shown in figure 4. Loosen the seat support connecting bolts if necessary.
5. Place cushions into frame assembly as shown in figure 5. Use care not to scratch leg frames with back bar protruding from back cushion.
6. Insert ends of back bar into slots in leg frames and connect using 1 1/4" Allen bolts first and then 1/2" bolts second, as shown in figures 6 and 7. Keep bolts slightly loose.
7. Connect seat cushion to frame using 2" Allen bolts from below, as shown in figure 8. Get both bolts started before securely tightening.
8. Make sure the seat and back edges are aligned as shown in figure 3 and tighten hex bolts from step 3 securely.
9. Tighten all other bolts securely. Your chair is now assembled and ready to use.



**Thank you for purchasing this NBF product!**  
**Need assistance with parts or assembly? Call 800.275.7545**