


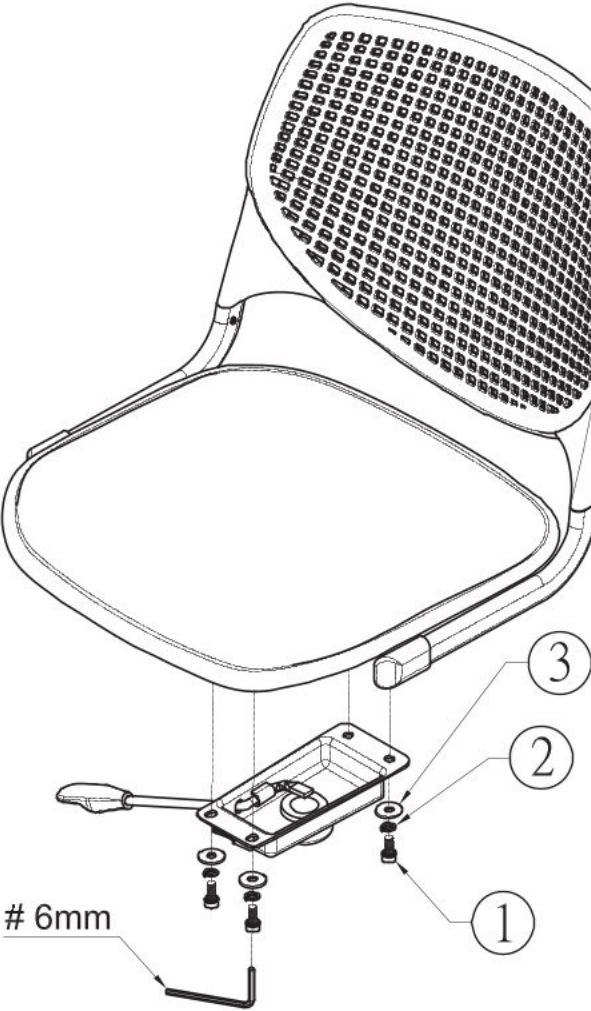
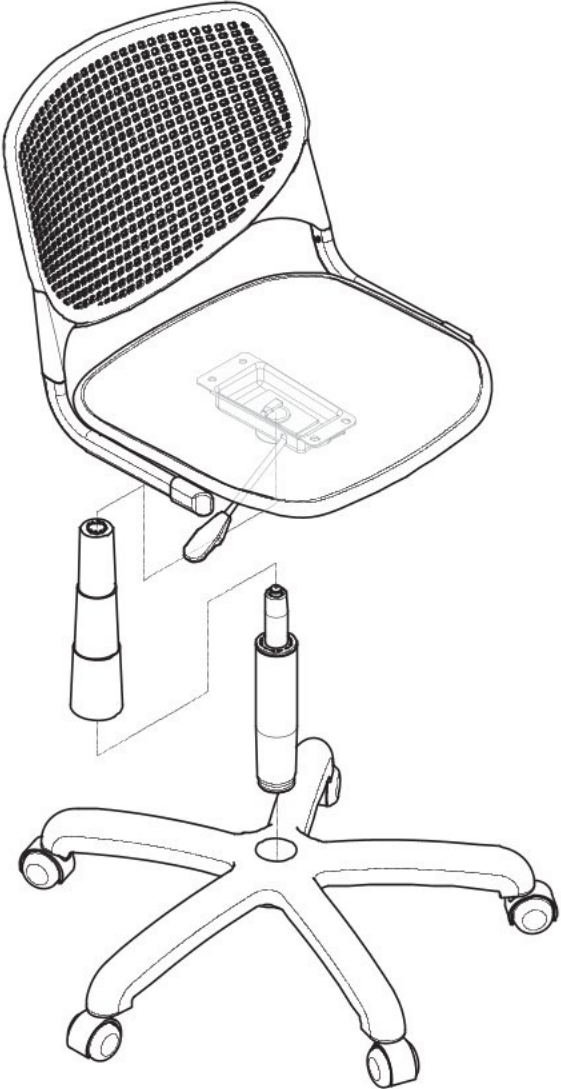


Hardware					
1		2		3	
	M8x20mm x4		M8 x4		M8 x4

Step 1



Step 2



Putting together your new chair is easy! Please remove all items from box and ensure all components are present.