

VANGUARD RECEPTION DESK - Stationary, Rectangle

A fully enclosed, rectangle reception desk. This workstation showcases a beautiful, timeless design. It leverages high quality components and thoughtful engineering to provide a great user experience and an extended product life. Proudly made in Wisconsin.

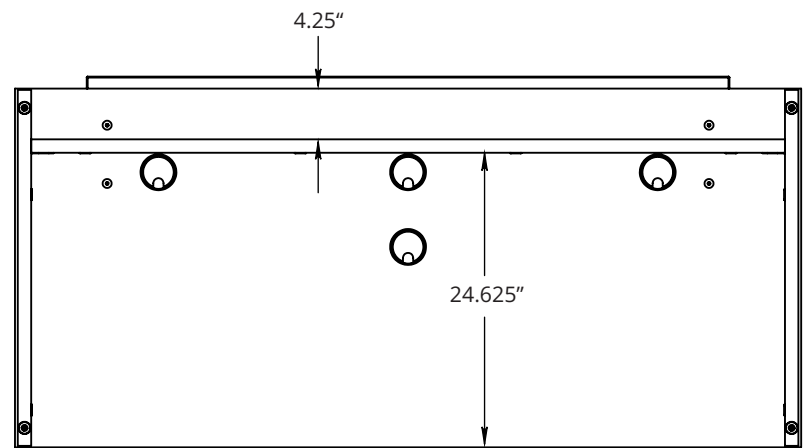
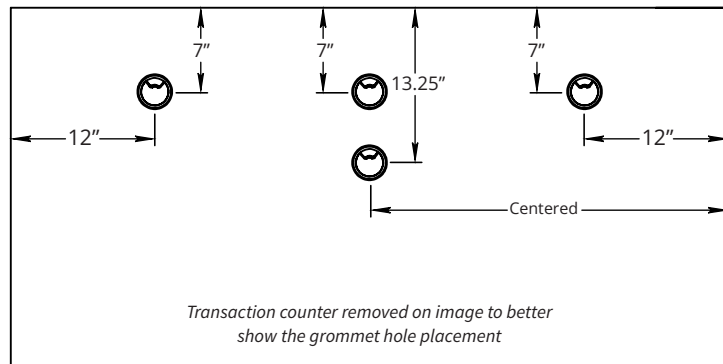
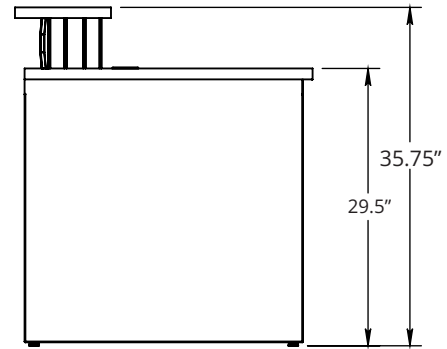
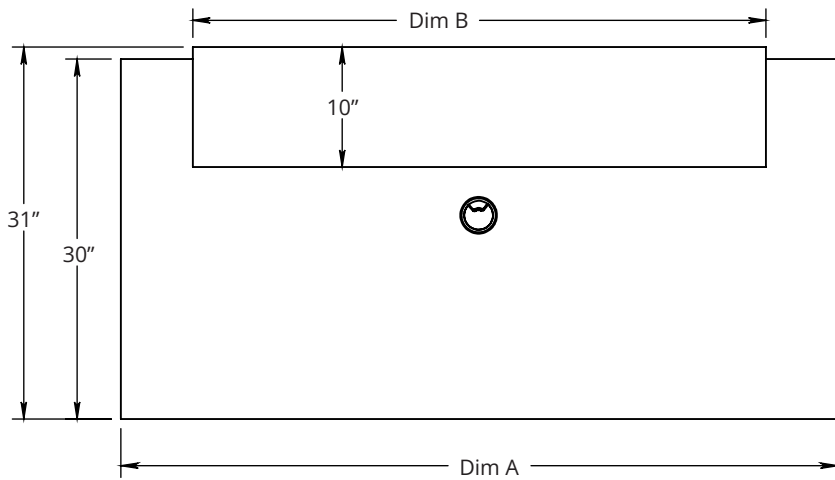
- Workstation includes:
 - Four 3" grommet holes
 - Four 3" grommet inserts
 - Adjustable foot glides
- Made in Wisconsin
- Load Capacity: 300 lbs
- Materials: 1-1/4" thermally fused laminate
- Sizes:
 - 30" x 60"
 - 30" x 66"
 - 30" x 72"



SPEC SHEET

VANGUARD RECEPTION DESK - Stationary, Rectangle

Part #	Desk Size	Dim A	Dim B
YNPSRBS306030295	30" x 60"	59.75"	47.75"
YNPSRBS306630295	30" x 66"	65.75"	53.75"
YNPSRBS307230295	30" x 72"	71.75"	59.75"



Underside of Workstation