

VANGUARD CONFERENCE TABLE - Stationary, Rectangle, with Grommet Holes

A laminate conference table. This workstation showcases a new spin on a classic design. It leverages high quality components and thoughtful engineering to provide a great user experience and an extended product life. Proudly made in Wisconsin.

- Workstation includes:
 - One or two grommet holes (depending on table size)
 - Adjustable foot glides
 - Power modules for grommet holes NOT included. Must purchase them separately
- Made in Wisconsin
- Load Capacity: 300 lbs
- Materials: 1-1/4" thermally fused laminate
- Sizes:
 - 46" x 72"
 - 46" x 96"
 - 46" x 120"
 - 46" x 144" (req. two bases)
 - 46" x 168" (req. two bases)
 - 46" x 192" (req. two bases)

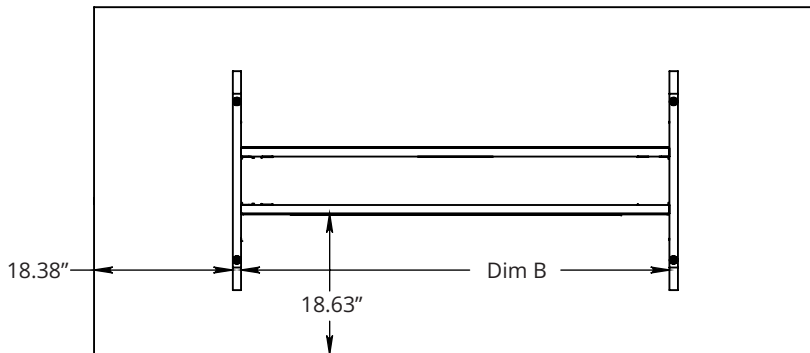
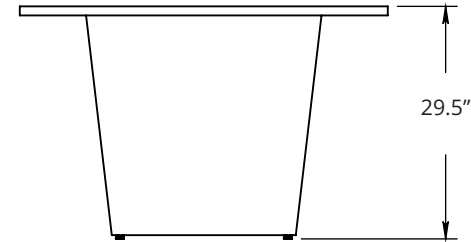
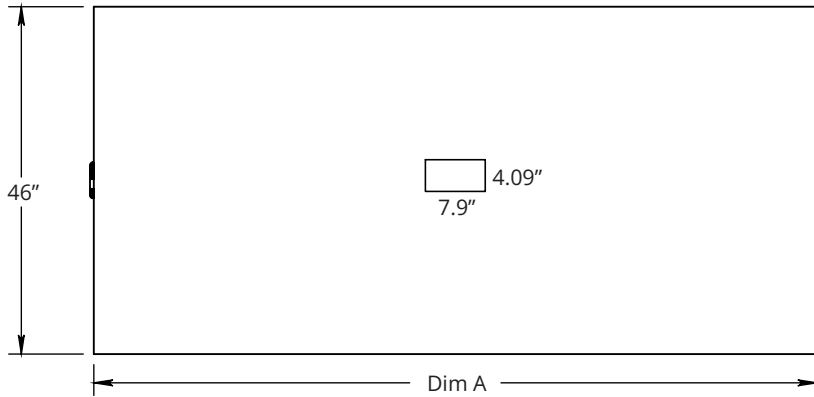


VANGUARD CONFERENCE TABLE - Stationary, Rectangle, with Grommet Holes

Part #	Table Size	Dim A	Dim B
YNPSCAB467246295	46" x 72"	71.75"	44.75"
YNPSCAB469646295	46" x 96"	95.75"	56.75"
YNPSCAB4612046295	46" x 120"	119.5"	65.75"

72", 96" & 120" tables use a single base

120" table will have a two piece worksurface, and a grommet hole in each of the worksurfaces like the drawing on the next page.



VANGUARD CONFERENCE TABLE - Stationary, Rectangle, with Grommet Holes

Part #	Desk Size	Dim A	Dim B	Dim C
YNPSCAB4614446295	46" x 144"	143.5"	71.75"	44.75"
YNPSCAB4616846295	46" x 168"	167.5"	83.75"	56.75"
YNPSCAB4619246295	46" x 192"	191.5"	95.75"	68.75"

Tables 144" or longer use two bases

