

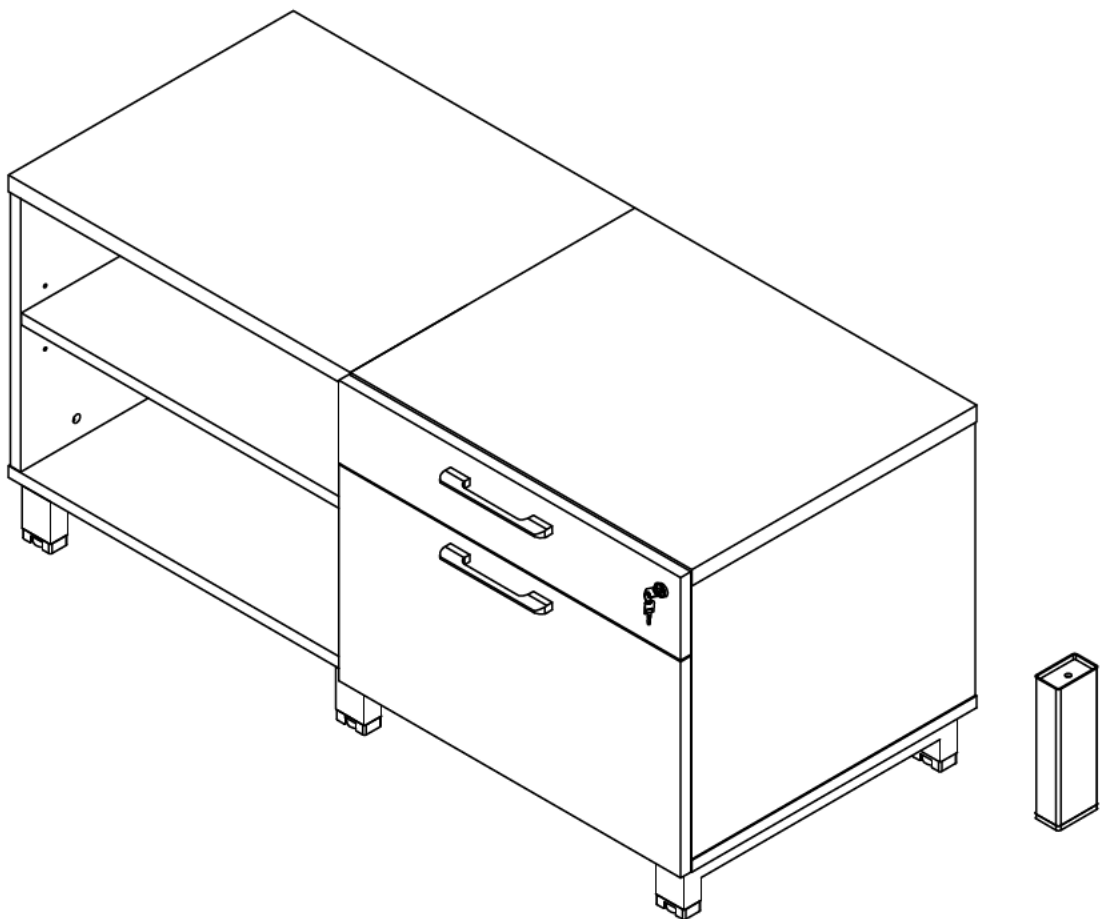


800-558-1010 | www.NBF.com

Element Collection - Low Credenza


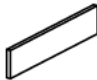




ASSEMBLY INSTRUCTIONS

Congratulations on the purchase of your new Signature Series product!



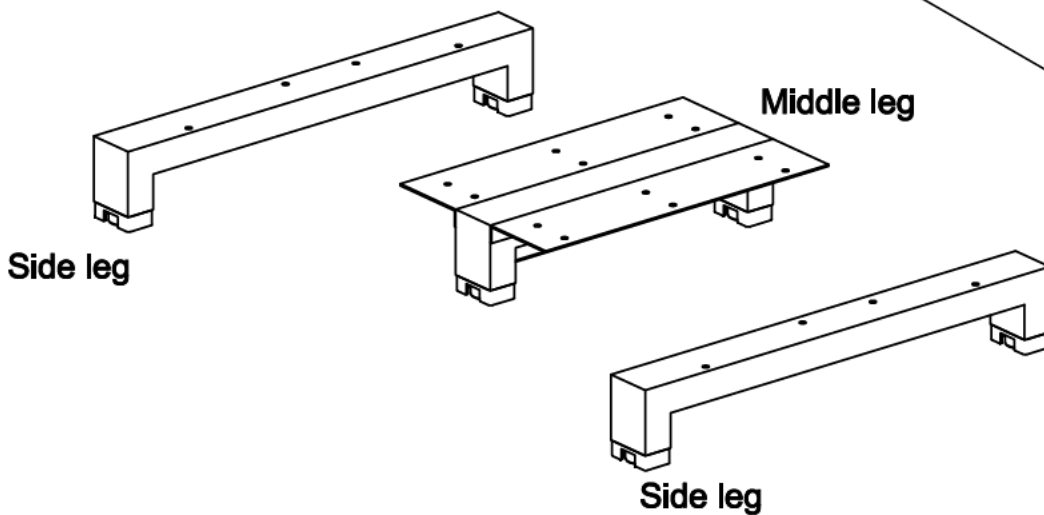
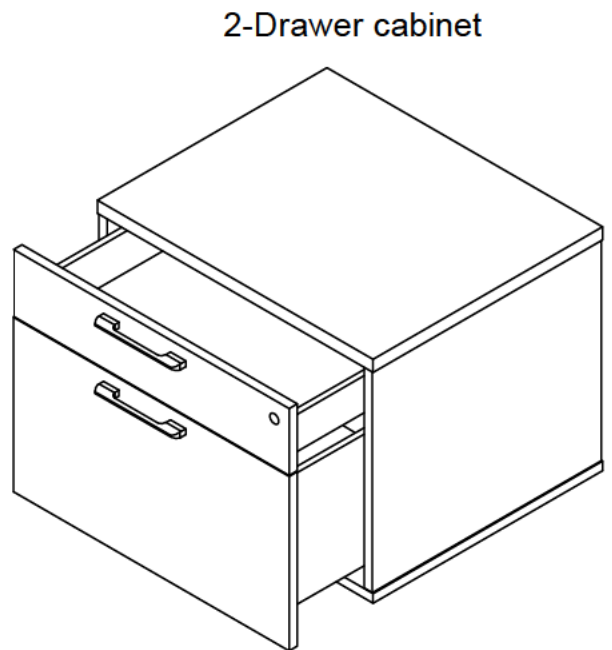
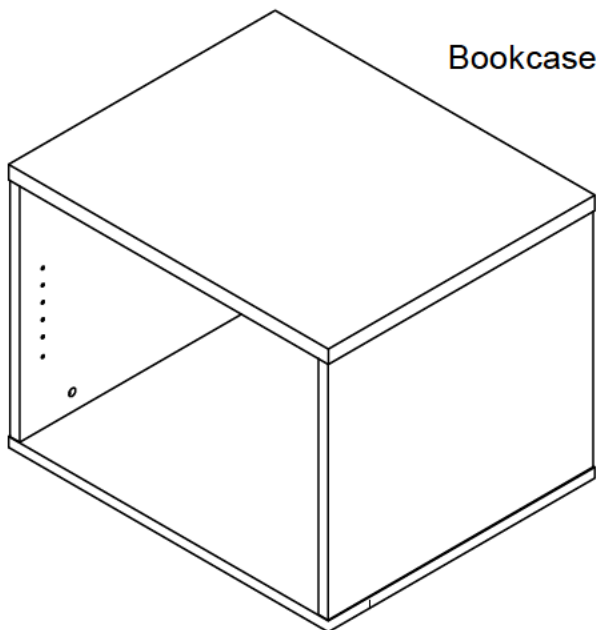
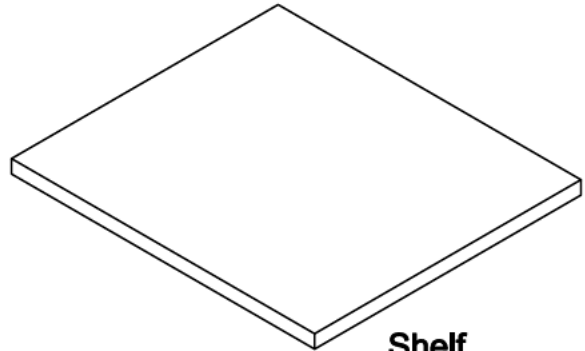
Congratulations on the purchase of your new Signature Series product!

Assembly HARDWARE

S/N	PICTURE	NAME	TOTAL QTY	REMARK
A		File clip	2+1PCS	
B		Aluminum File Bar	1PCS	
C		Keys	1SET	
D		Handle With Screws	2PCS	Come on drawers
E		Screw $\phi 6 \times 12$	20+1PCS	
F		Shelf Peg	4PCS	

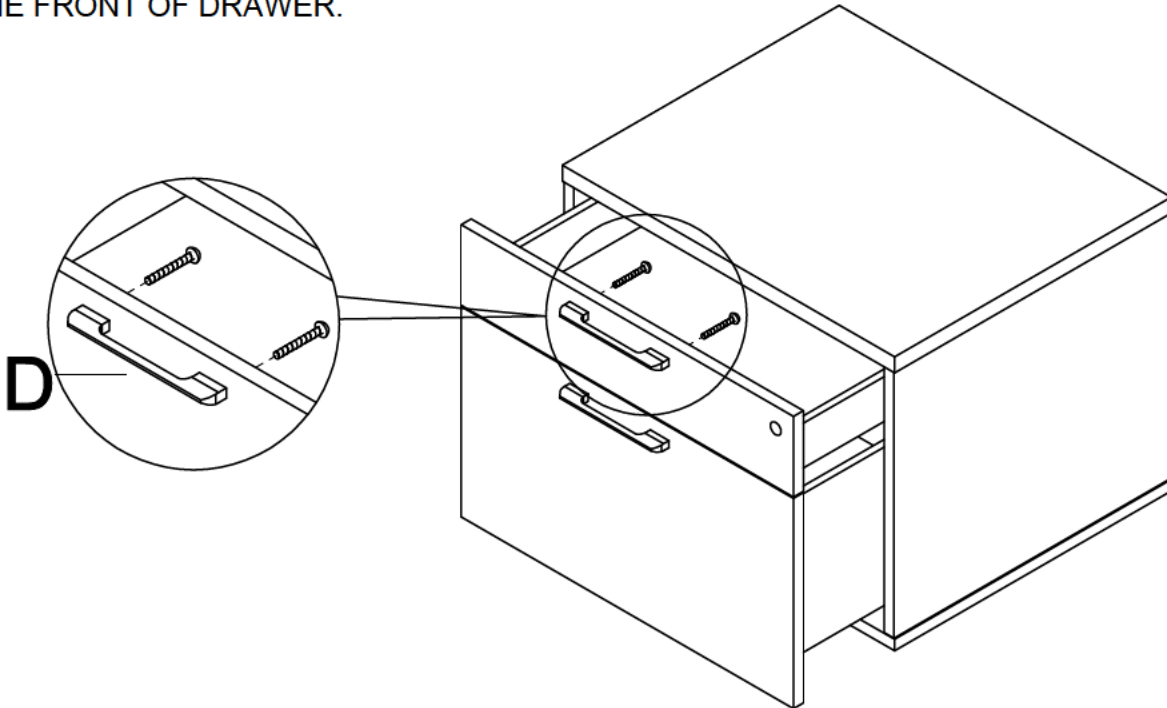
Congratulations on the purchase of your new Signature Series product!

PART LIST



Congratulations on the purchase of your new Signature Series product!

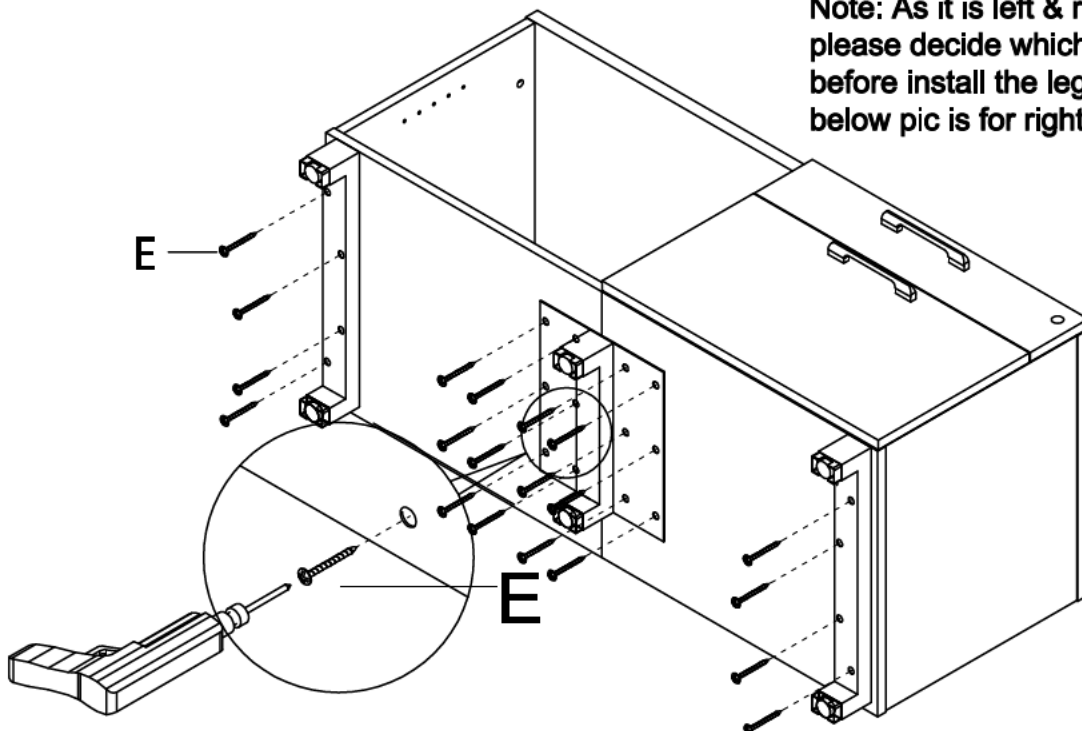
1. UNSTALL THE PRE-INSTALLED HANDLES. THEN INSTALL ON THE FRONT OF DRAWER.



2. INSTALL 3 LEGS ON THE UNDERSIDE OF BOOKCASE AND 2-DRAWER CABINET WITH "E" SCREWS. USE POWER DRILL FOR CONNECTION.

E(20X)

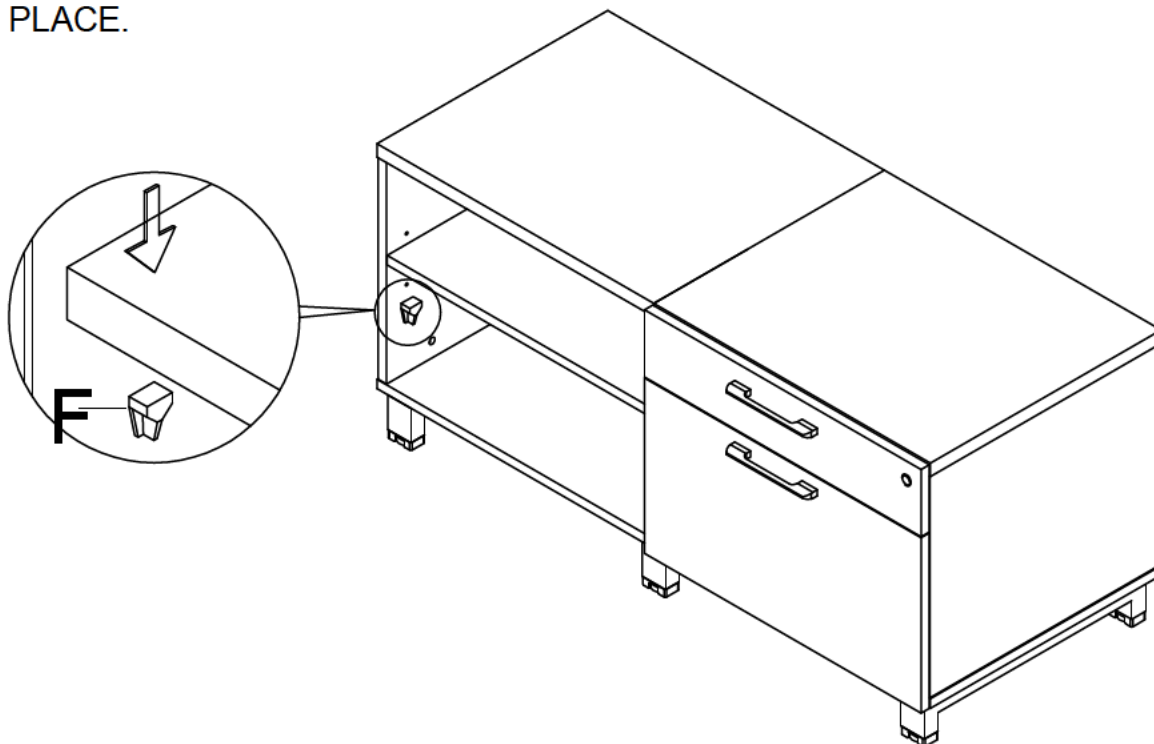
Note: As it is left & right reversible, please decide which way you need before install the legs. below pic is for right-hand.



Congratulations on the purchase of your new Signature Series product!

3. INSTALL "F" SHELF PEG ON BOTH SIDE PANELS OF BOOKCASE. THEN PUT SHELF IN PLACE.

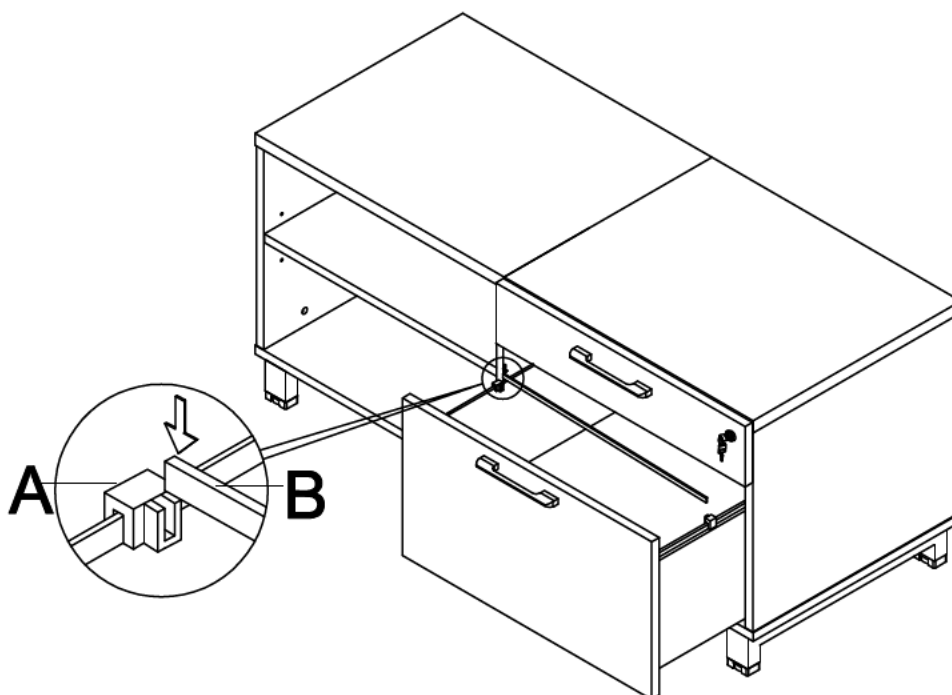
F(4X)



4. PLACE "B" FILE BAR INSIDE BOTTOM DRAWER USING "A" FILE CLIPS.

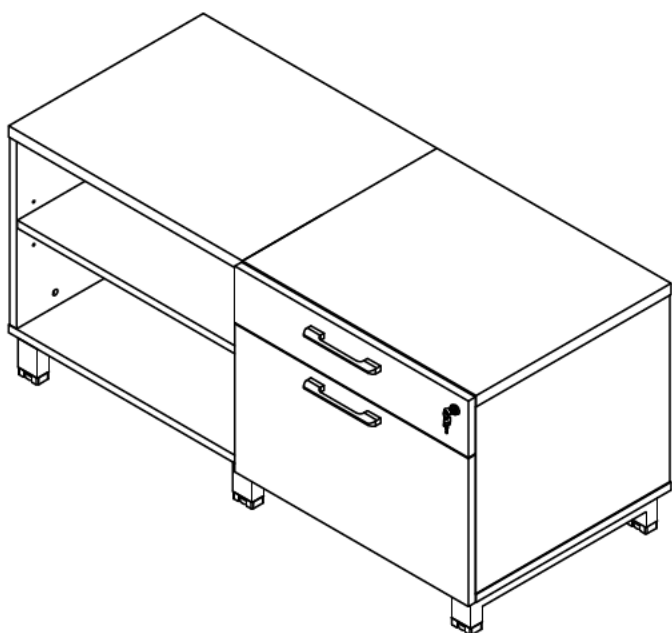
A(2X)

B(1X)

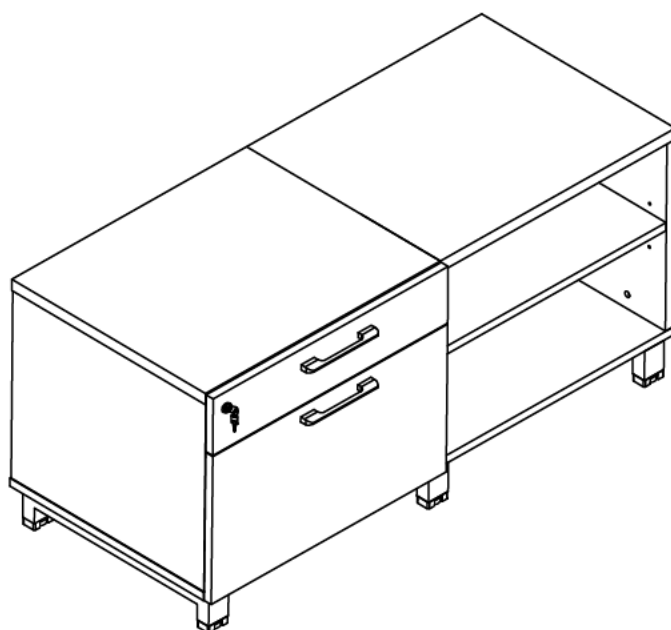


Congratulations on the purchase of your new Signature Series product!

5.COMPLETE(Only for credenza itself)



Right-hand return



Left-hand return

Congratulations on the purchase of your new Signature Series product!

5. ATTACH THE CREDENZA TO DESK WITH SHORT LEG.

Note: When attach the credenza under desk, please install the short leg to the middle position of desk and keep spare long leg if you need .(long leg packed with the main desk, short leg packed with credenza)

