

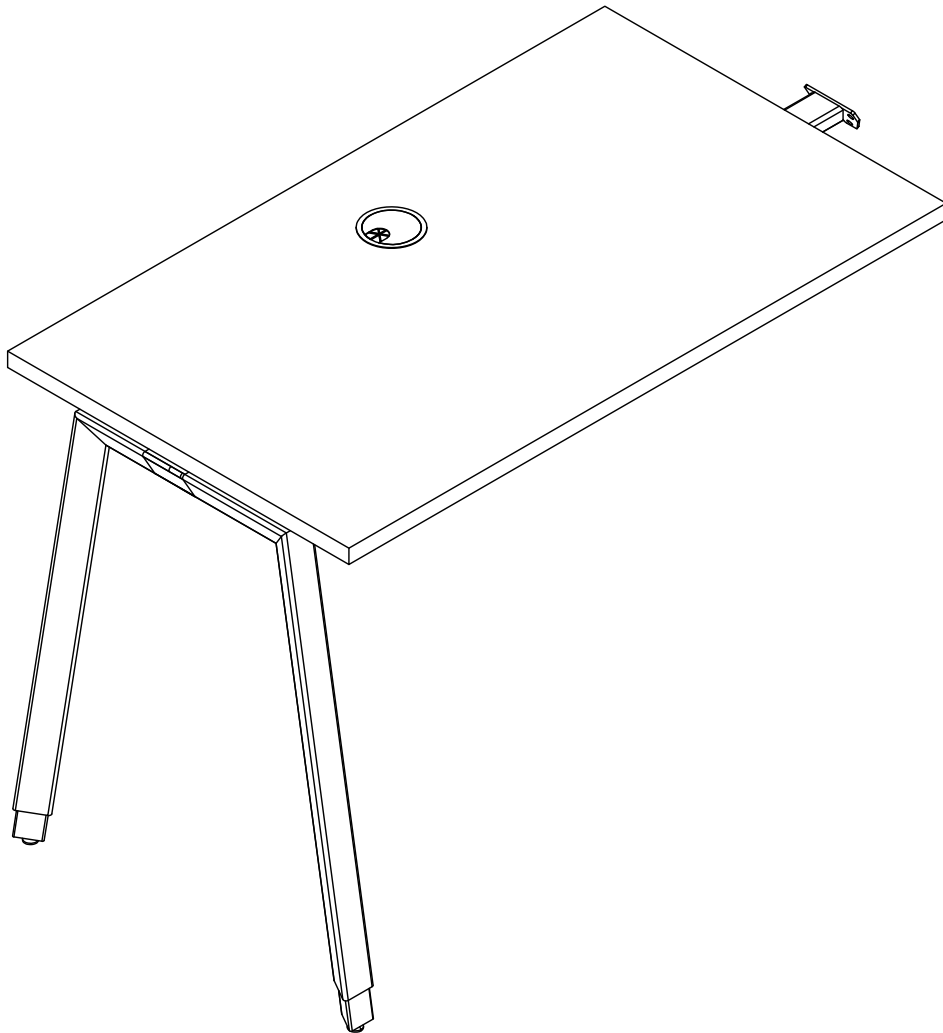


800-558-1010 | www.NBF.com

Holloway Collection

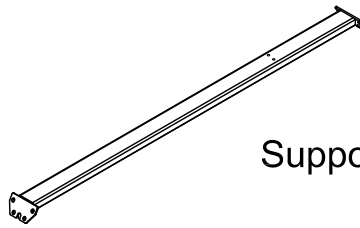
ASSEMBLY INSTRUCTIONS

Congratulations on the purchase of your new Signature Series product!

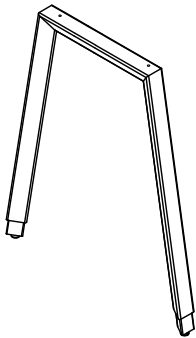


Congratulations on the purchase of your new Signature Series product!

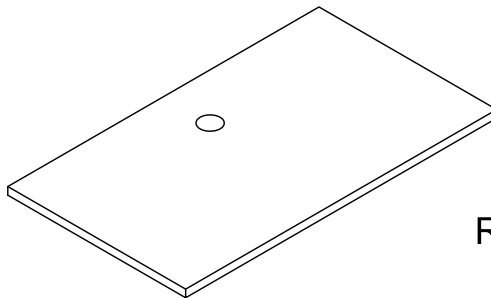
Part List



Support bar(1 pc)


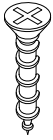
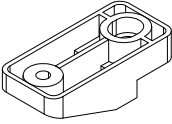
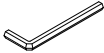



Side frame(1 pc)



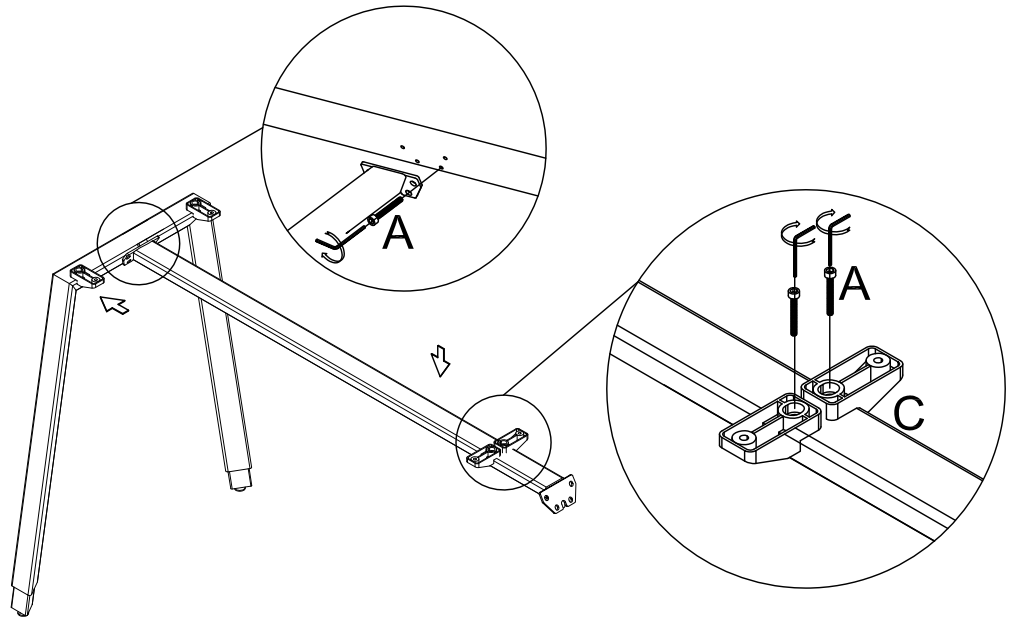
Return top(1pc)

Congratulations on the purchase of your new Signature Series product!

Assembly HARDWARE				
S/N	PICTURE	NAME	TOTAL QTY	REMARK
A		CAM SCREW	12+1(SPARE)	M6*10
B		SELF-TAPPING SCREW	4+1(SPARE)	Ø3*19
C		CONNECTOR	4PCS	
D		WRENCH	1PCS	M6
E		GROMMET	1PCS	

Congratulations on the purchase of your new Signature Series product!

1. Attach the support bar to side frame with "A" screws, then install the "C" attaching plate to metal frame with "A" screws.
A(12X)
C(4x)



2. Install the desk top to metal support with self-tapping screws "B".
B(4X)

