

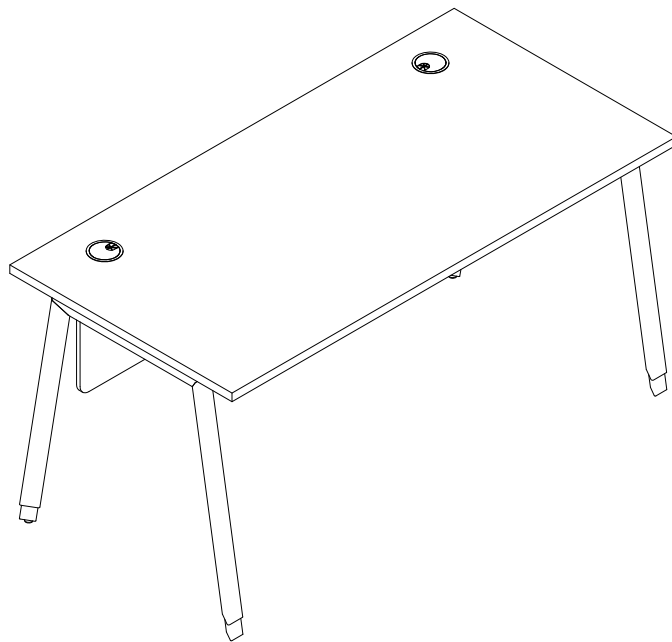


800-558-1010 | [www.NBF.com](http://www.NBF.com)

Holloway Collection

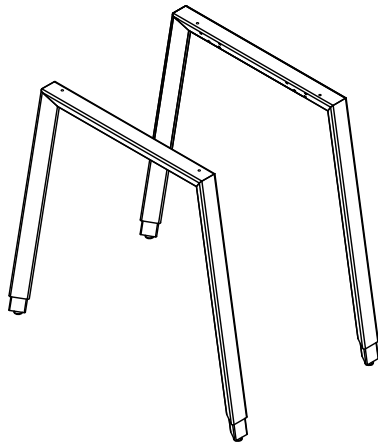
## ASSEMBLY INSTRUCTIONS

Congratulations on the purchase of your new Signature Series product!

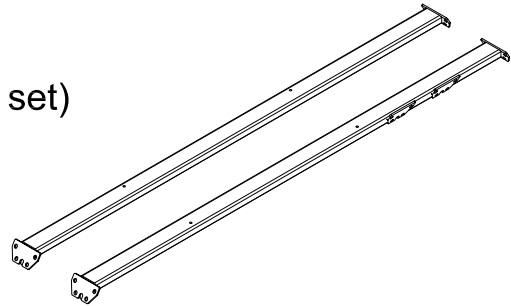


Congratulations on the purchase of your new Signature Series product!

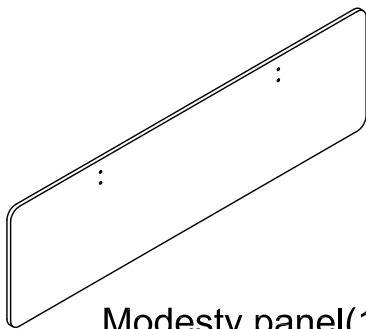
## Part List



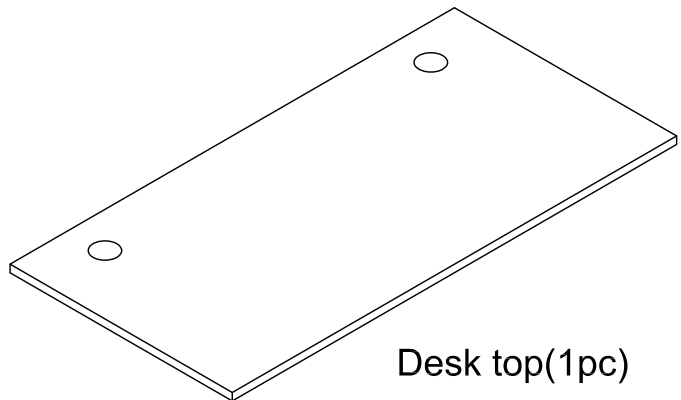
Side frame(1 set)



Support bar(1 set)


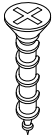
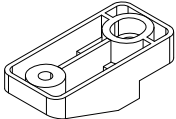
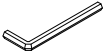






Modesty panel(1pc)



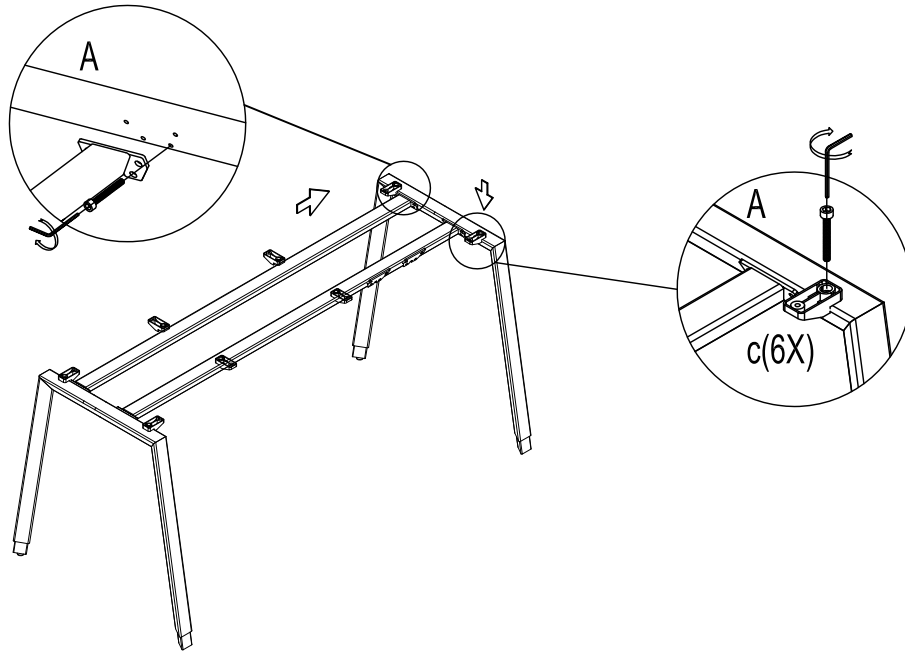
Desk top(1pc)

Congratulations on the purchase of your new Signature Series product!

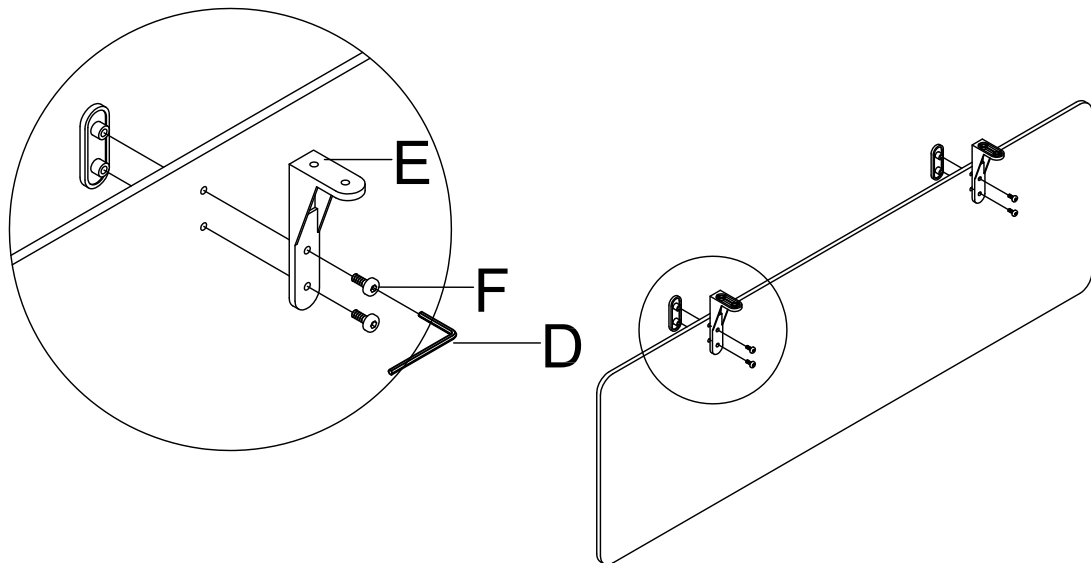
Assembly HARDWARE				
S/N	PICTURE	NAME	TOTAL QTY	REMARK
A		CAM SCREW	24+1(SPARE)	M6*10
B		SELF-TAPPING SCREW	8+1(SPARE)	Ø3*19
C		CONNECTOR	8PCS	
D		WRENCH	1PCS	M6
E		BRACKET	2PCS	
F		CAM SCREW	8+1(SPARE)	M6*16
G		GROMMET	2PCS	Ø80
H		COVER	8+1PCS	Ø8*6

Congratulations on the purchase of your new Signature Series product!

1. Attach the support bar to side frame with "A" screws, then install the "C" connector to metal frame with "A" screws.  
A(24X)  
C(8X)

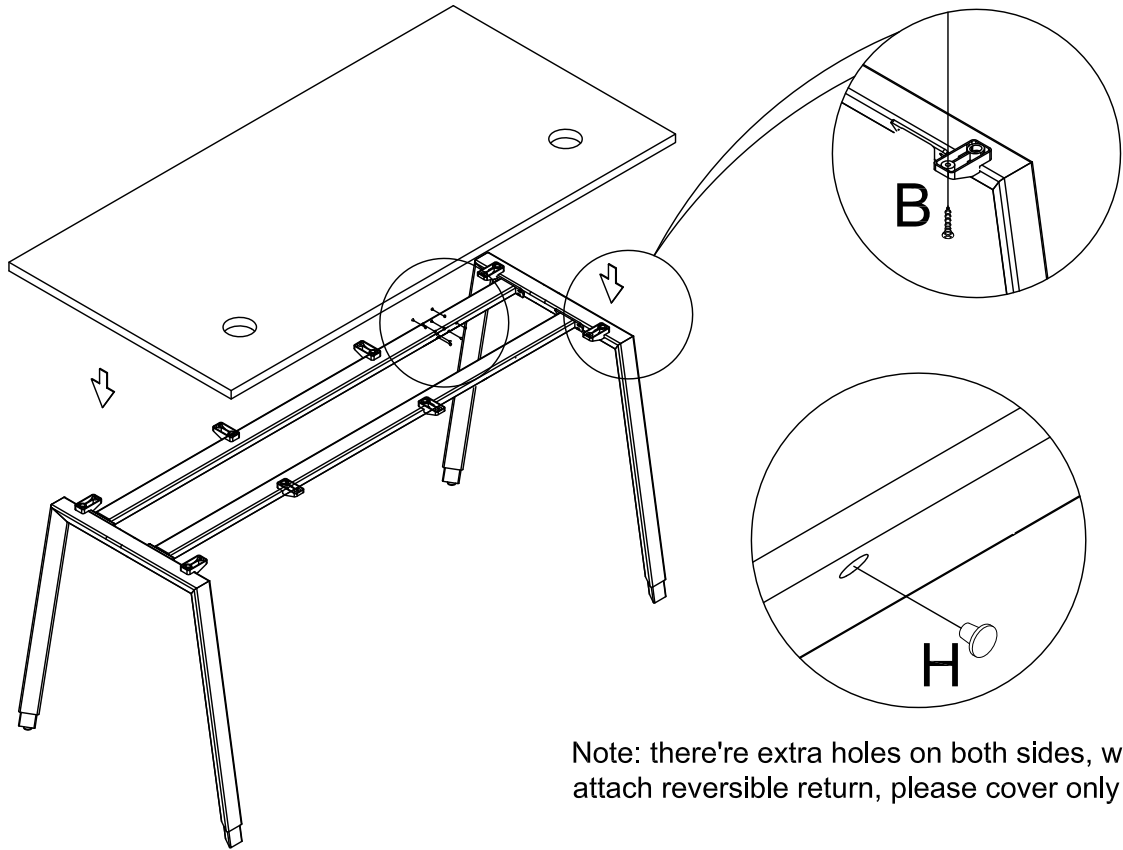


2. INSTALL THE "E" BRACKET ON MODESTY PANEL USING "F" SCREWS. TIGHTEN WITH "D" WRENCH.  
E(2x)  
F(4x)



Congratulations on the purchase of your new Signature Series product!

3. Install the desk top to metal support with self-tapping screws "B". then press the silver cover on the extra holes.  
B(8X)  
H(8X)



Note: there're extra holes on both sides, which used to attach reversible return, please cover only the extra hole

4. Install the modesty panel with "E" Bracket and "F" screws. then install the grommet "G".  
F(4X)  
G(2X)

