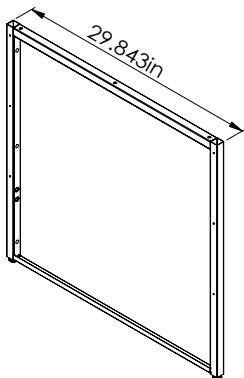


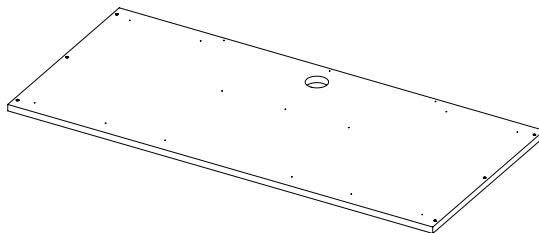
Congratulations on the purchase of your new *Signature Series* product!

COMPONENTS

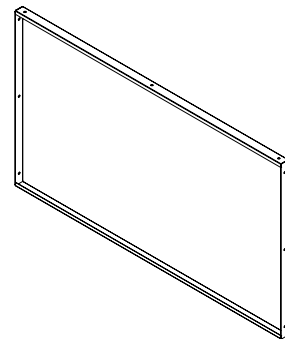
A. 30" End Panel*2pcs



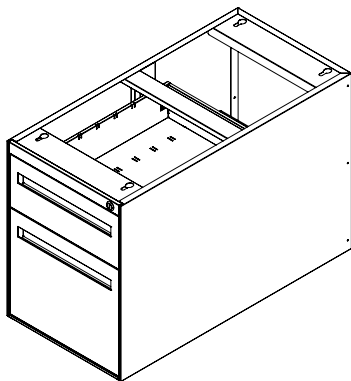
B. 66"x30" Table Top*1pc



C. Modesty Panel*1pc



D. 29" Pedestal*2pcs

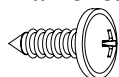


HARDWARE

(1).Self-tapping
Screw 4*10mm-6pcs



(2).Self-tapping
Screw #10*3/4"-3pcs



(3).Screw
M6*12mm-6 pcs



(4).Screw
M6*40mm-6pcs



(5).M6 Washer-6pcs



(6).Shoulder Rivet-8pcs



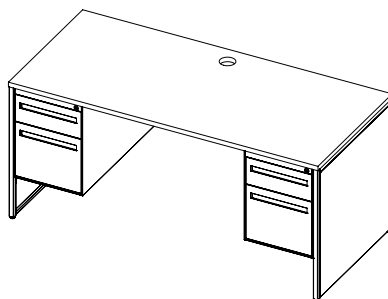
(7).Flat Head Screw
#10*1" -8pcs



(8).Bracket*2pcs

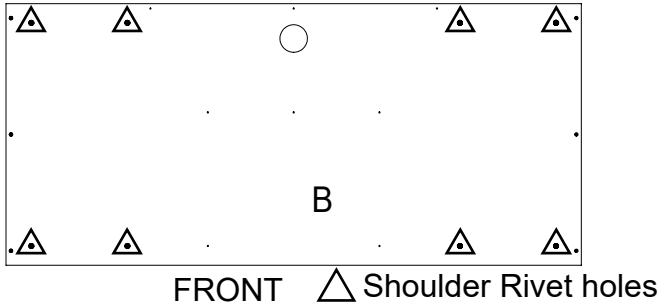


(9). Bracket*2pcs

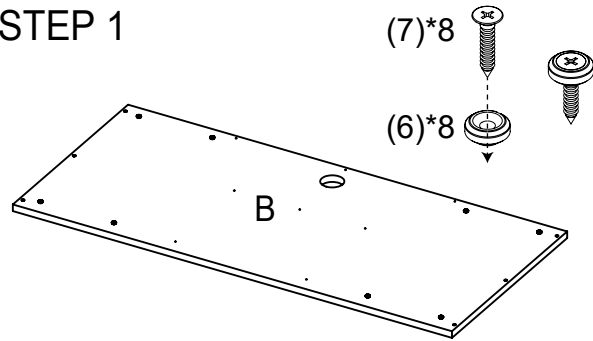


Congratulations on the purchase of your new *Signature Series* product!

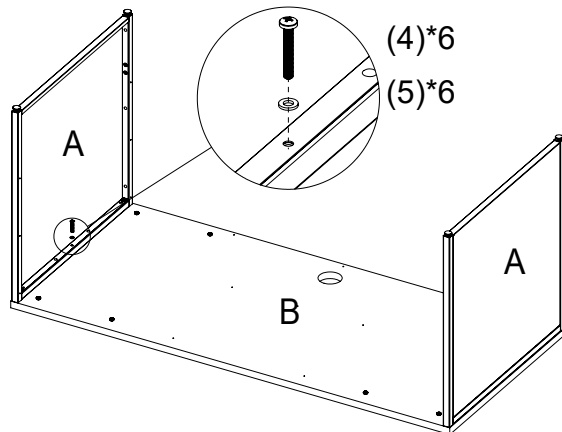
INSTRUCTIONS FOR 66"x30" TABLE



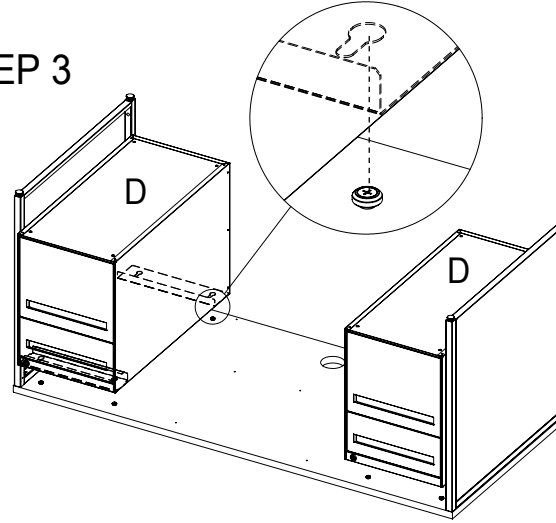
STEP 1



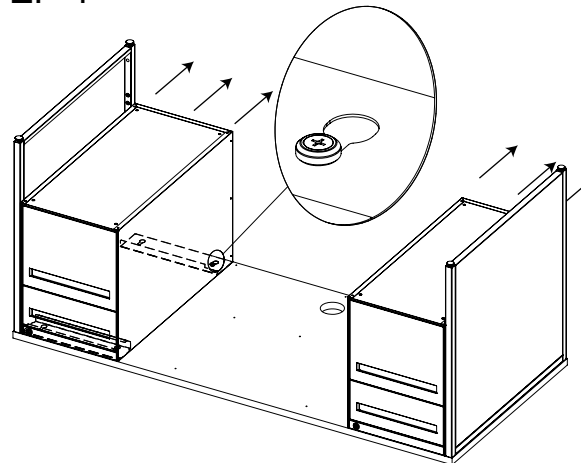
STEP 2



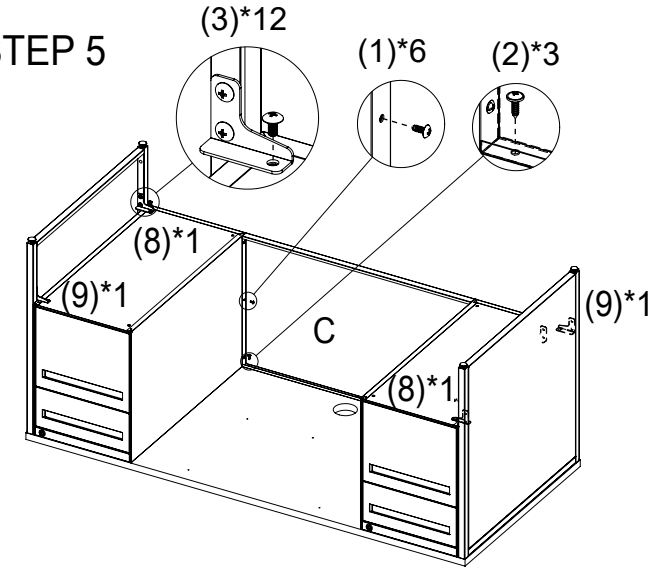
STEP 3



STEP 4



STEP 5



FINISH

