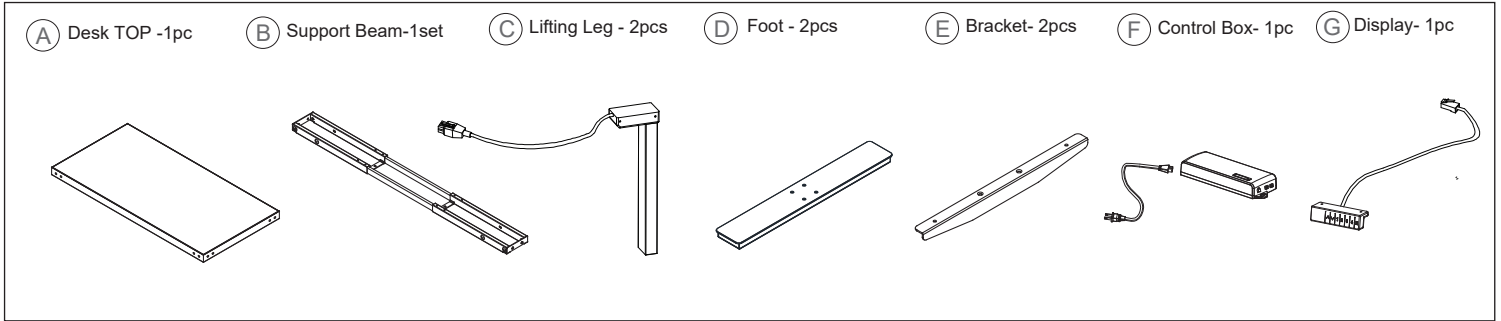




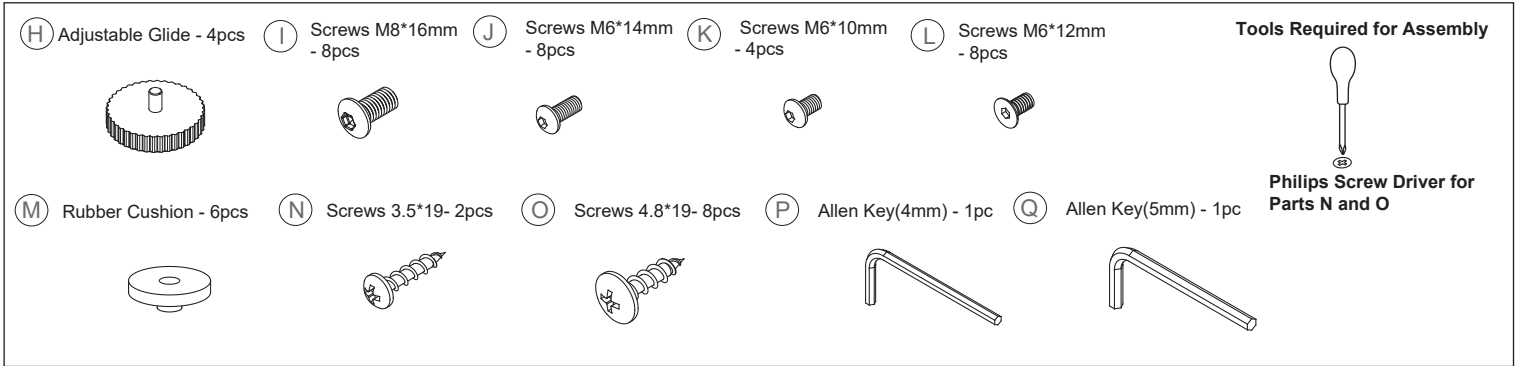
Rivet-48"*24"/60"*24" Straight Adjustment Desk

Assembly Instructions

COMPONENTS



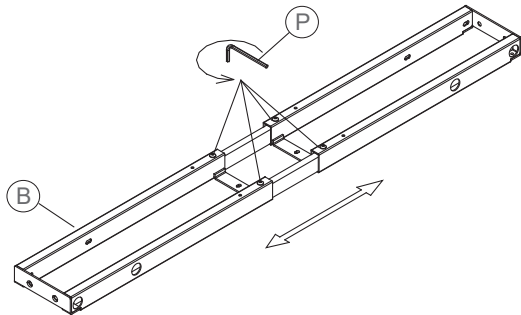
HARDWARE & TOOLS



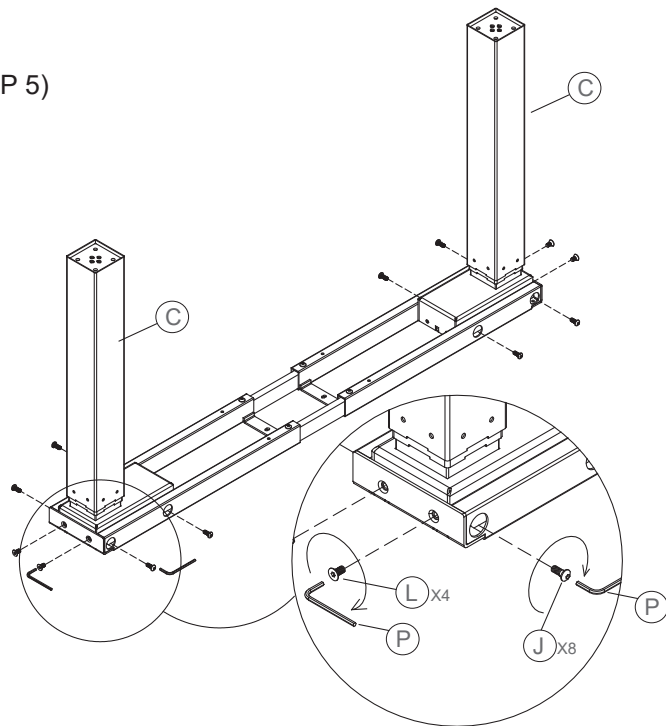
INSTRUCTIONS

STEP 1

Loosen the 4 screws of beam using Allen Key(4mm), adjust the beam to proper position to fit the Desk Top. (According to the predrilled holes on the TOP, see STEP 5)



STEP 2

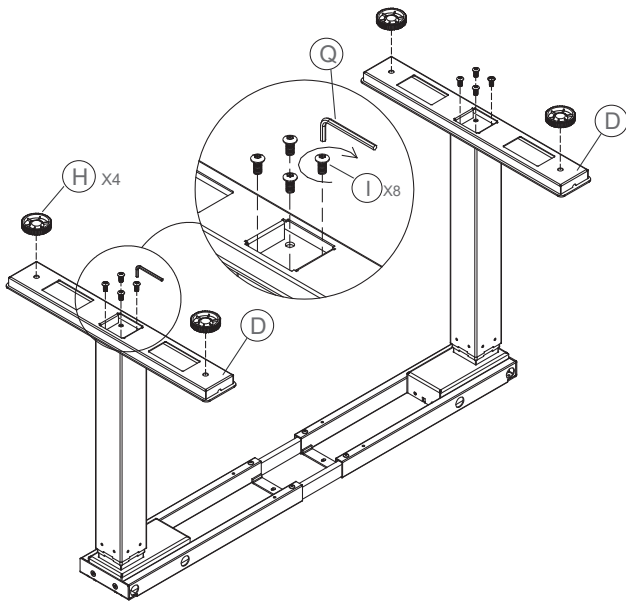




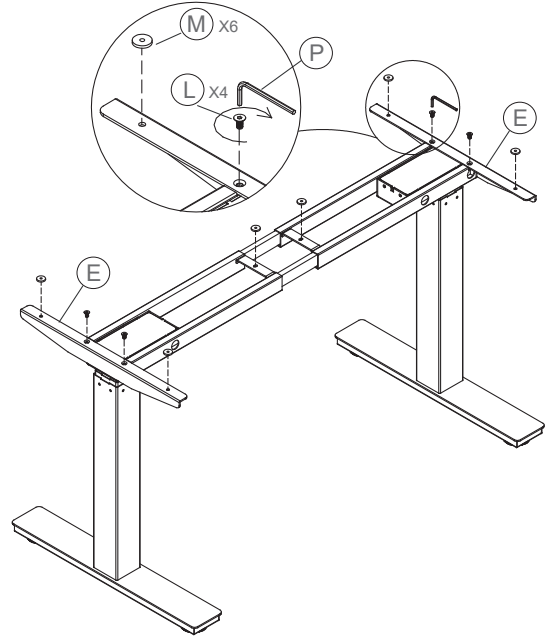
Rivet-48"*24"/60"*24" Straight Adjustment Desk Assembly Instructions

INSTRUCTIONS

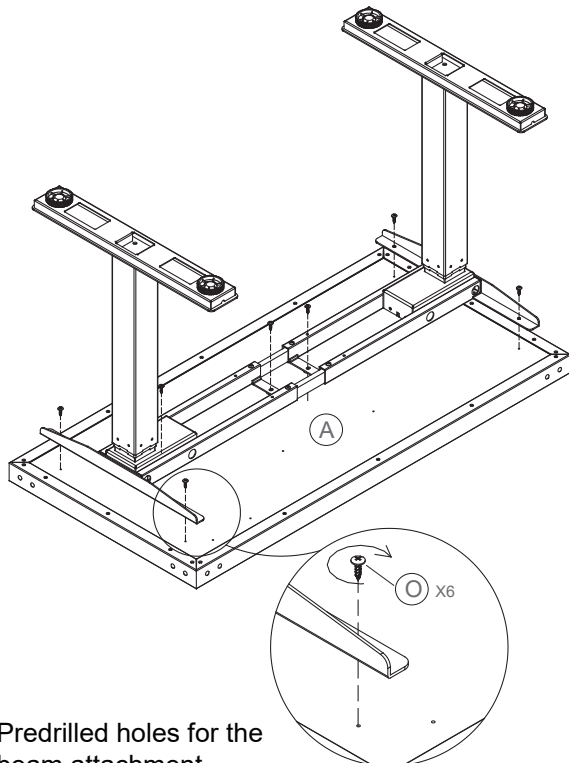
STEP 3



STEP 4

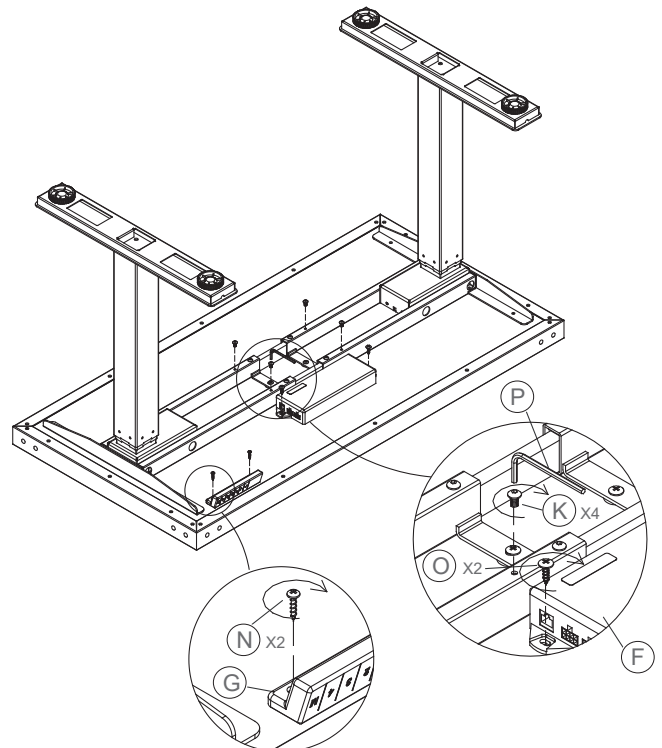


STEP 5



Predrilled holes for the beam attachment.

STEP 6



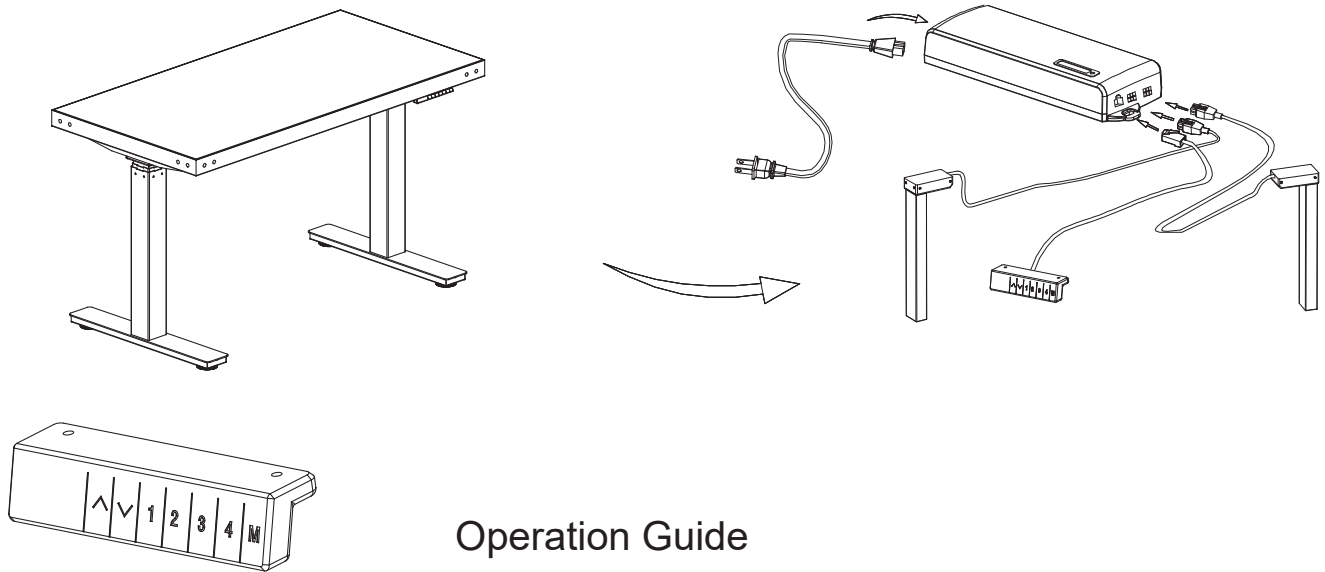


Rivet-48"*24"/60"*24" Straight Adjustment Desk Assembly Instructions

INSTRUCTIONS

STEP 7

Connect the control box to the handset and to the motor.



Operation Guide

1. Normal Operation

Adjust the desk to the desired height by pressing and holding the “^” or “v” button.

2. Setting the Memory Function

When the desk is at the desired height, press and hold the “M” button until the display flashes. Then press “1” to set position one. Repeat this procedure for up to four desired settings. These settings are saved in the device's memory, and will remain even if the desk is unplugged.

3. System Initialization and Reset

To reset the system, press and hold both the “^” and “v” buttons at the same time. After a moment, the desk will begin to lower. Wait until the desk reaches its lowest point, indicated by a beep. The system memory is now cleared and reset.

4. Display Format

To change the display from centimeters to inches, press and hold the “1”, “2”, and “M” buttons at the same time for 5 seconds. The display will flash “C-E”. Within 5 seconds, press the 1 key for centimeters, or press the 2 key for inches. If this procedure does not work, reset the system and try again.

5. Normal Maintenance

Save wrenches and tighten screws/bolts every 6 months.

6. Notice

1. This product should only be used within its technical parameters, for its intended use.
2. This system should be kept dry and away from corrosive gas.
3. Avoid rapid, repeated stress on adjustment motor.
4. Always use two people to lift and move this desk.
5. Max weight limit: 233.2 lbs .