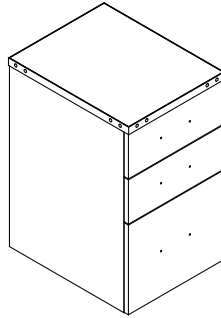




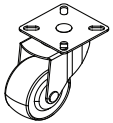
# Rivet- BBF Mobile Drawer Pedestal

## Assembly Instructions



### HARDWARE & TOOLS

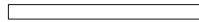
(A) Caster - 5pcs



(B) File Clip - 2pcs



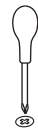
(C) Metal Bar-300mm - 1pc



(D) Screw M4.5\*16 - 20pcs



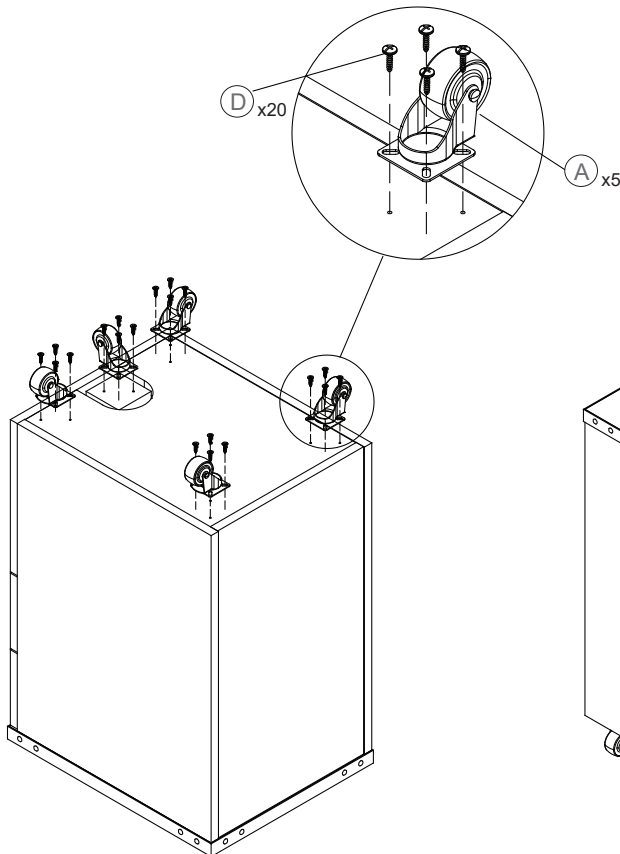
Tools Required for Assembly



Phillips Screw Driver

### INSTRUCTIONS

#### STEP 1



#### STEP 2

