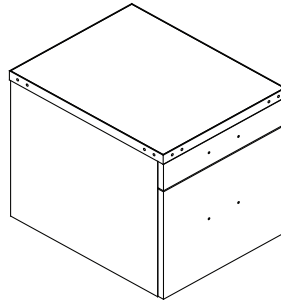




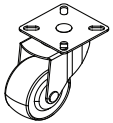
Rivet- Mobile Box/File Pedestal

Assembly Instructions



HARDWARE & TOOLS

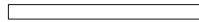
(A) Caster - 5pcs



(B) File Clip - 2pcs



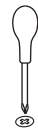
(C) Metal Bar-300mm - 1pc



(D) Screw M4.5*16 - 20pcs



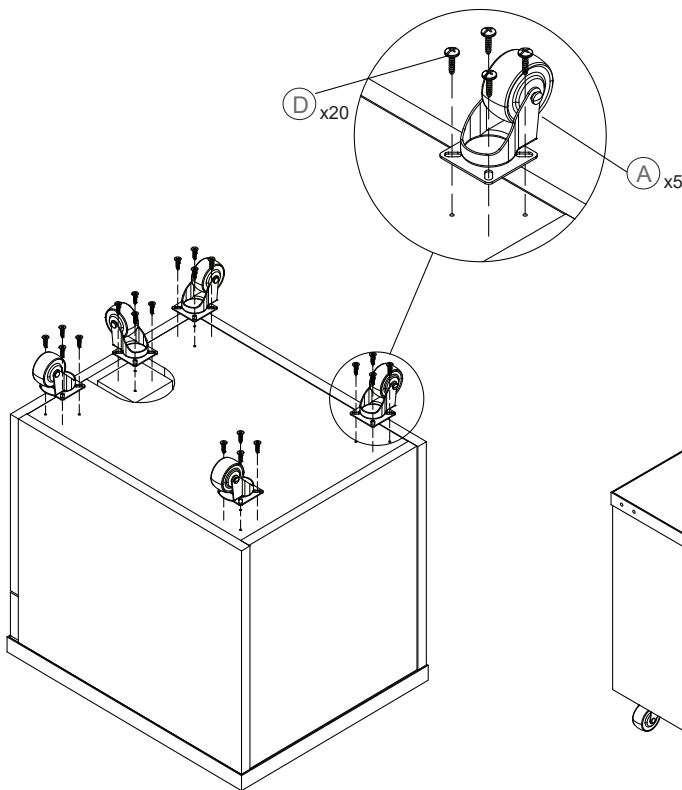
Tools Required for Assembly



Phillips Screw Driver

INSTRUCTIONS

STEP 1



STEP 2

