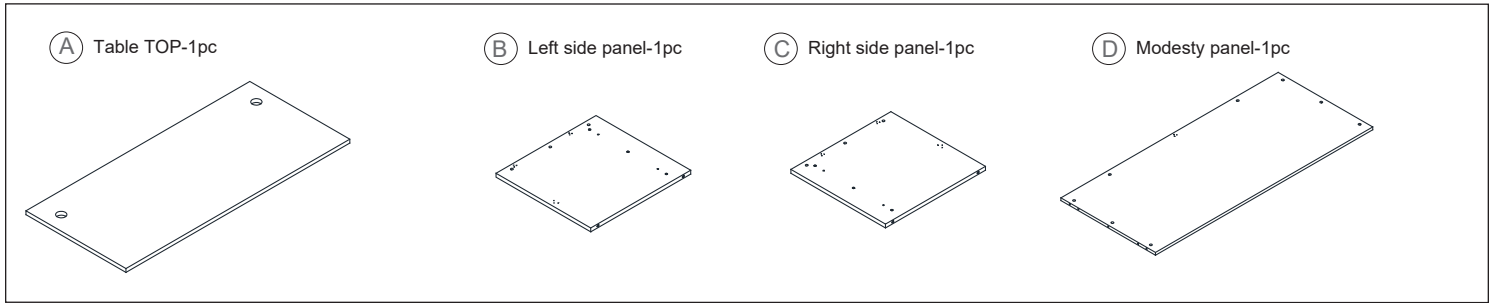




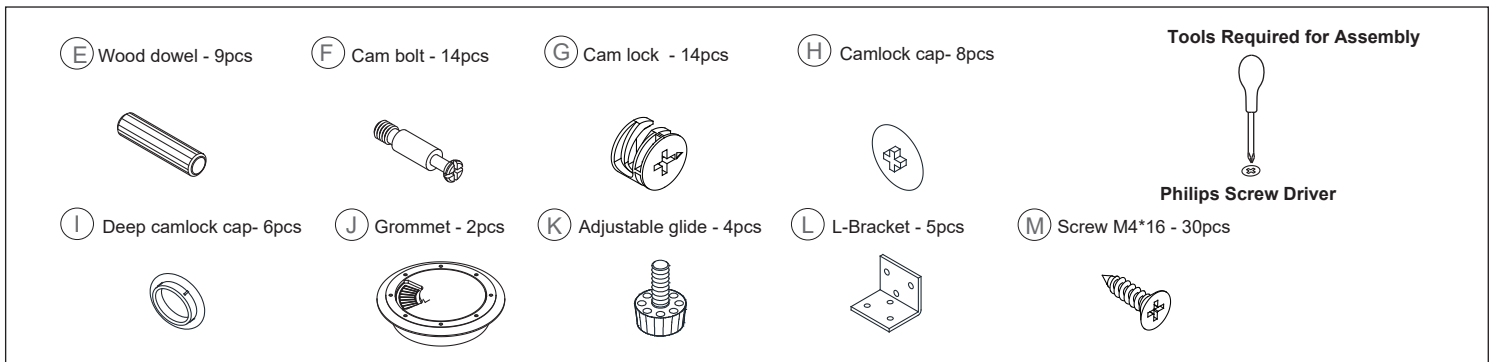
# At Work- 66x30 Rectangle Desk Shell

## Assembly Instructions

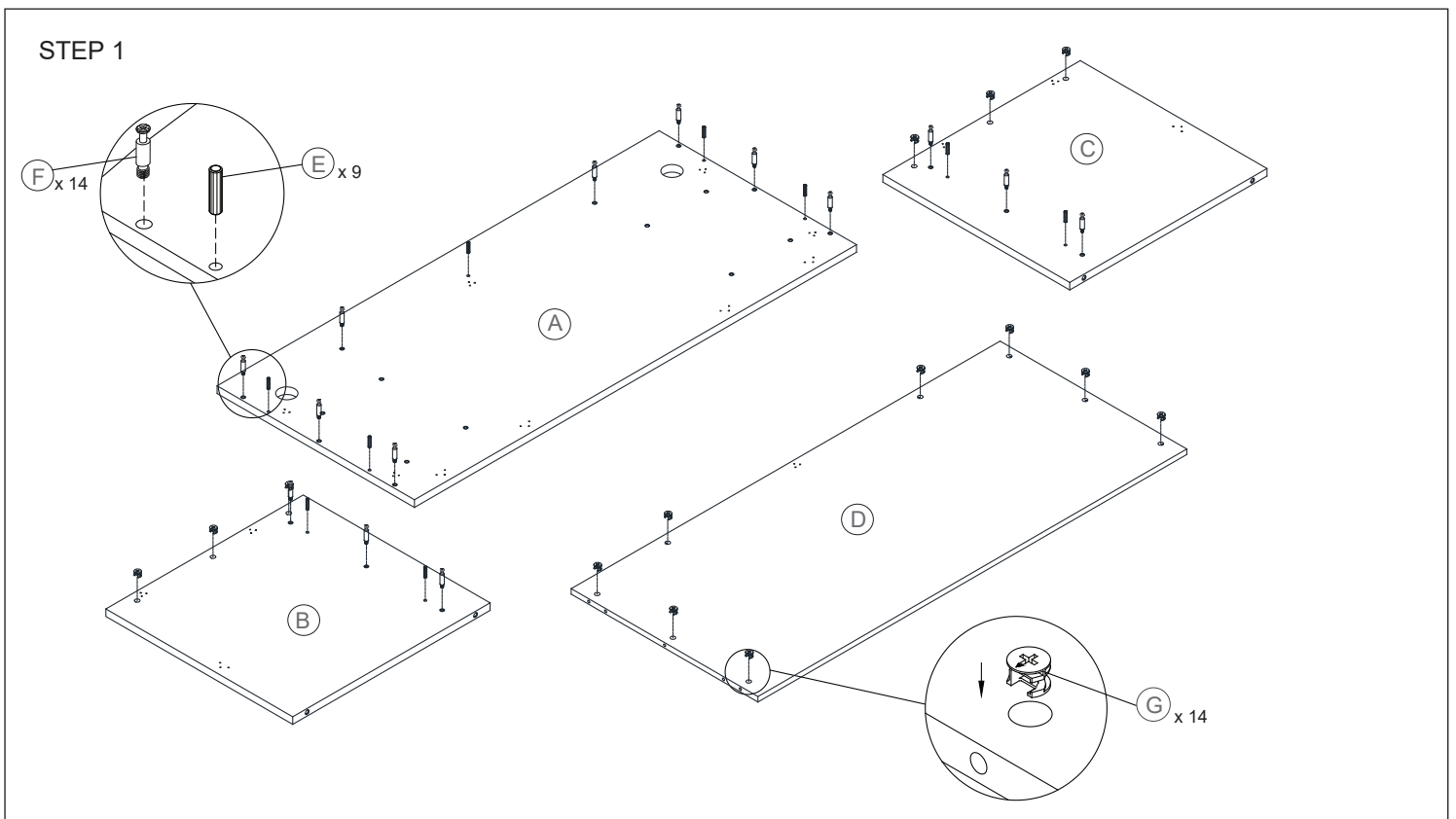
### COMPONENTS



### HARDWARE & TOOLS



### INSTRUCTIONS



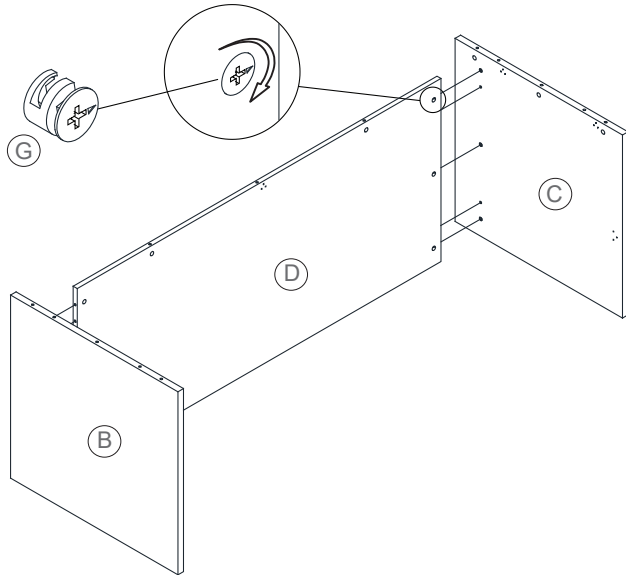


# At Work- 66x30 Rectangle Desk Shell

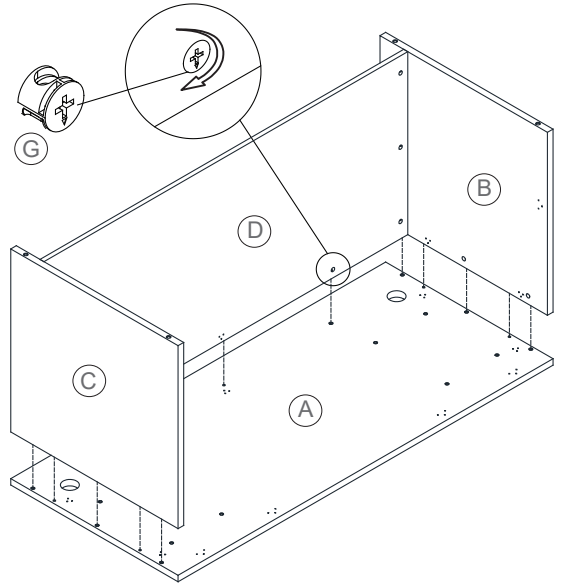
## Assembly Instructions

### INSTRUCTIONS

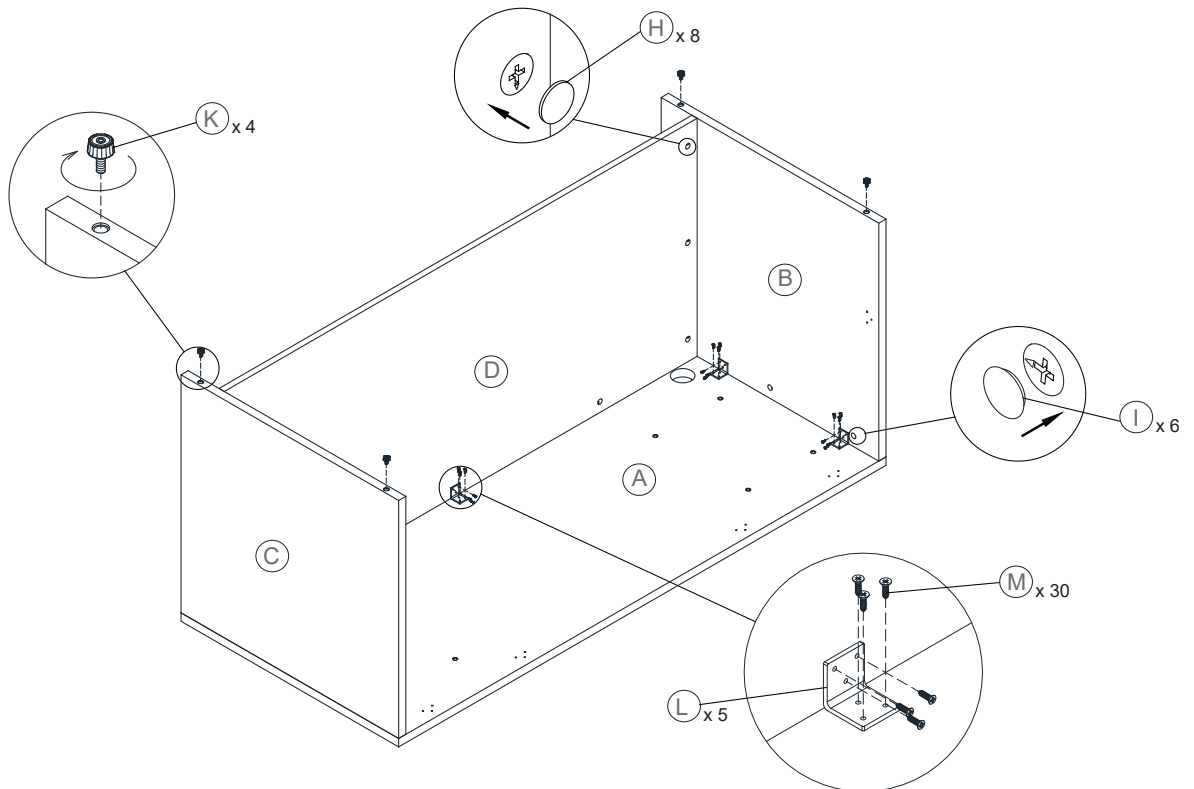
#### STEP 2



#### STEP 3



#### STEP 4



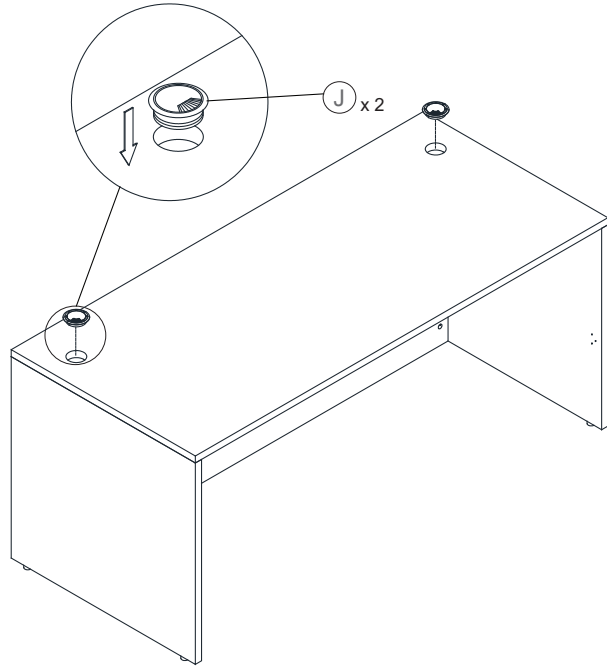


# At Work- 66x30 Rectangle Desk Shell

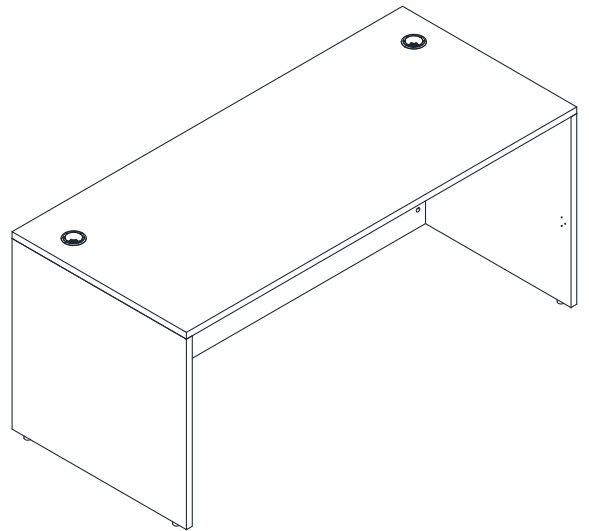
## Assembly Instructions

### INSTRUCTIONS

STEP 5



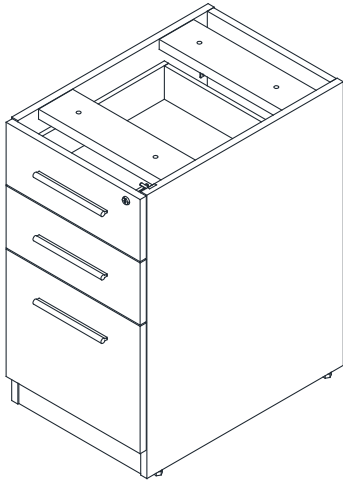
COMPLETED





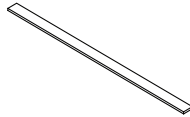
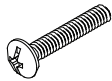
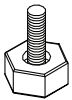
# At Work- Box/Box/File Under Desk Pedestal

## Assembly Instructions

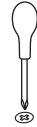


### HARDWARE & TOOLS

- (A) Adjustable glide - 4pcs (B) Screw M6\*40 - 4pcs (C) File clip - 2pcs (D) Metal bar 300\*15\*3- 1pc (E) Key- 1set



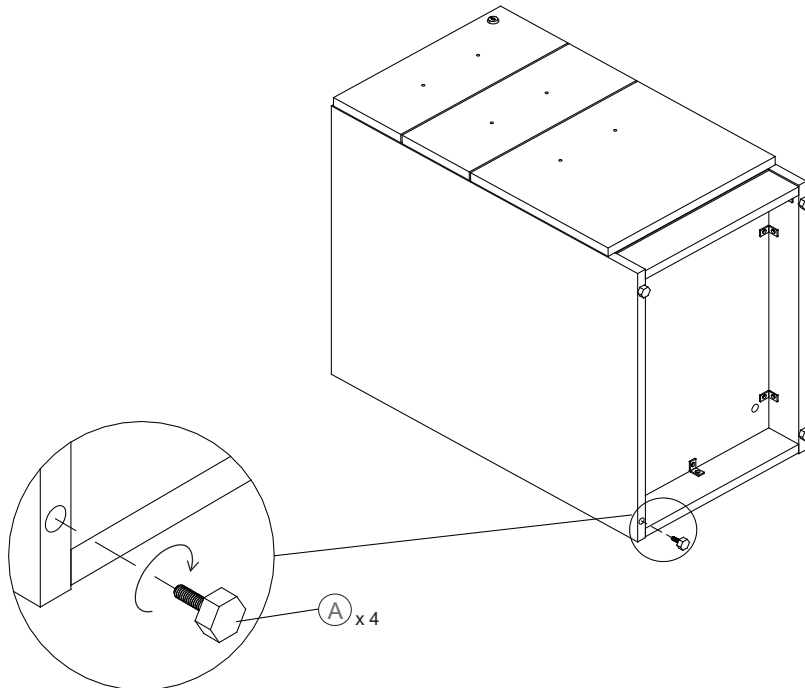
#### Tools Required for Assembly



Philips Screw Driver

### INSTRUCTIONS

#### STEP 1





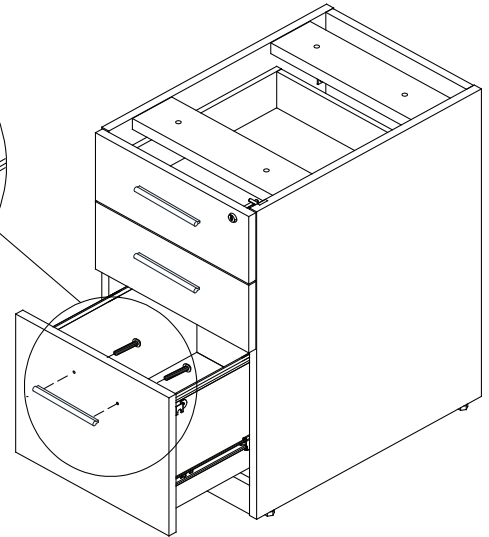
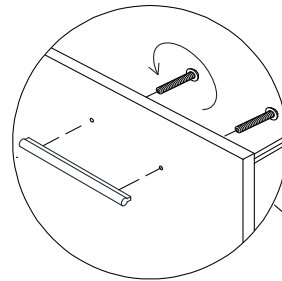
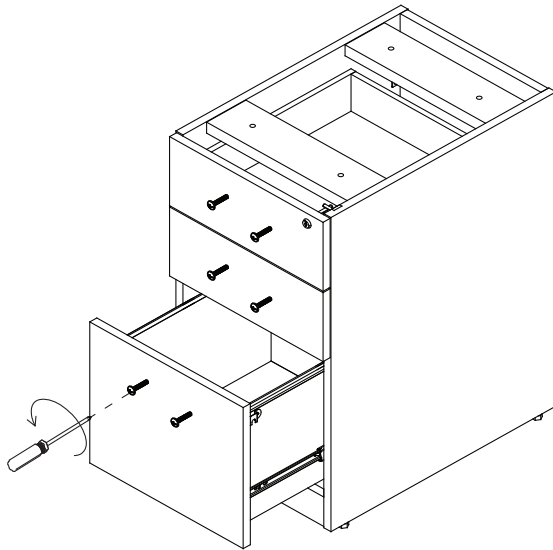
# At Work- Box/Box/File Under Desk Pedestal

Assembly Instructions

## INSTRUCTIONS

### STEP 2

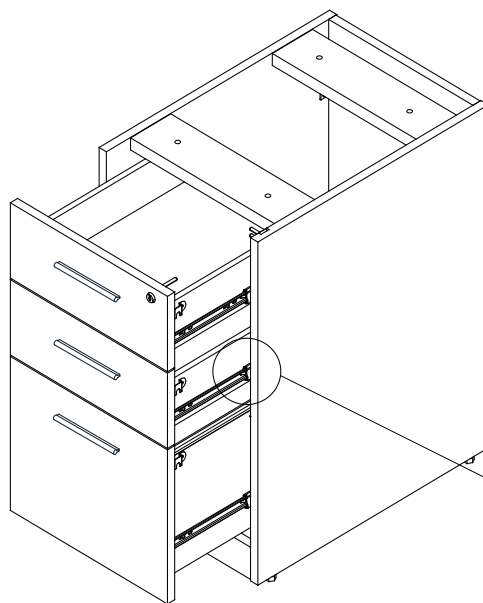
Install the handles on the front panel of drawers with screws.



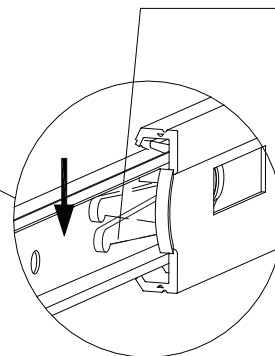
Take off the handles from back panel of drawers.

### STEP 3

Press the right lever down and left lever up to take off 3 drawers



Lock Lever



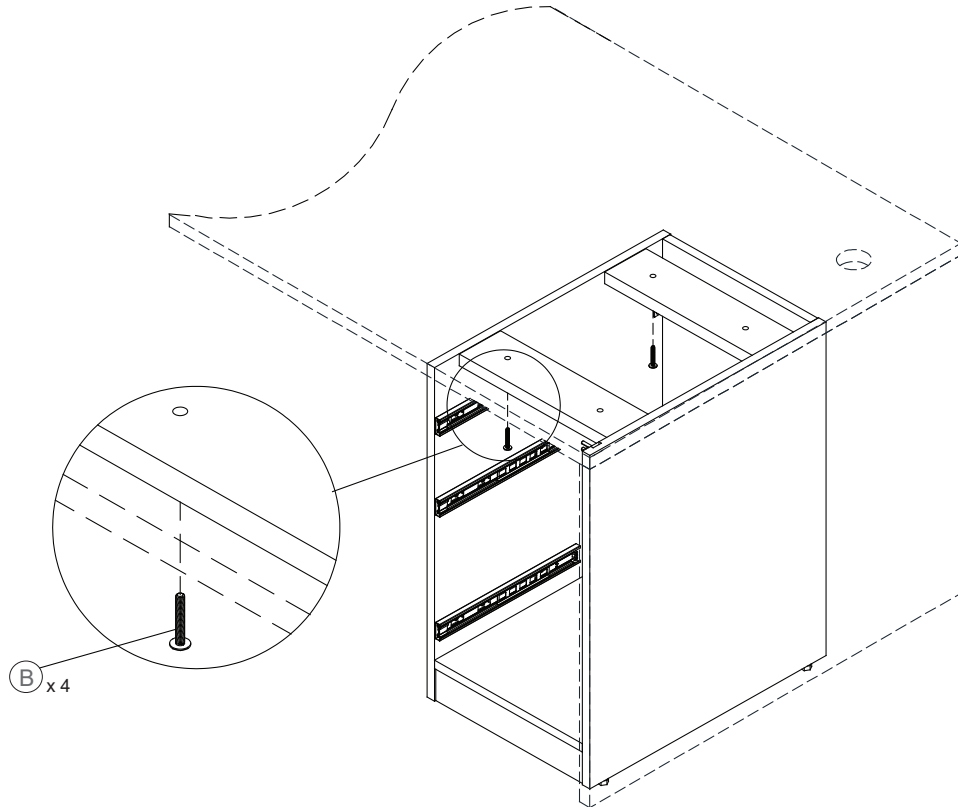


# At Work- Box/Box/File Under Desk Pedestal

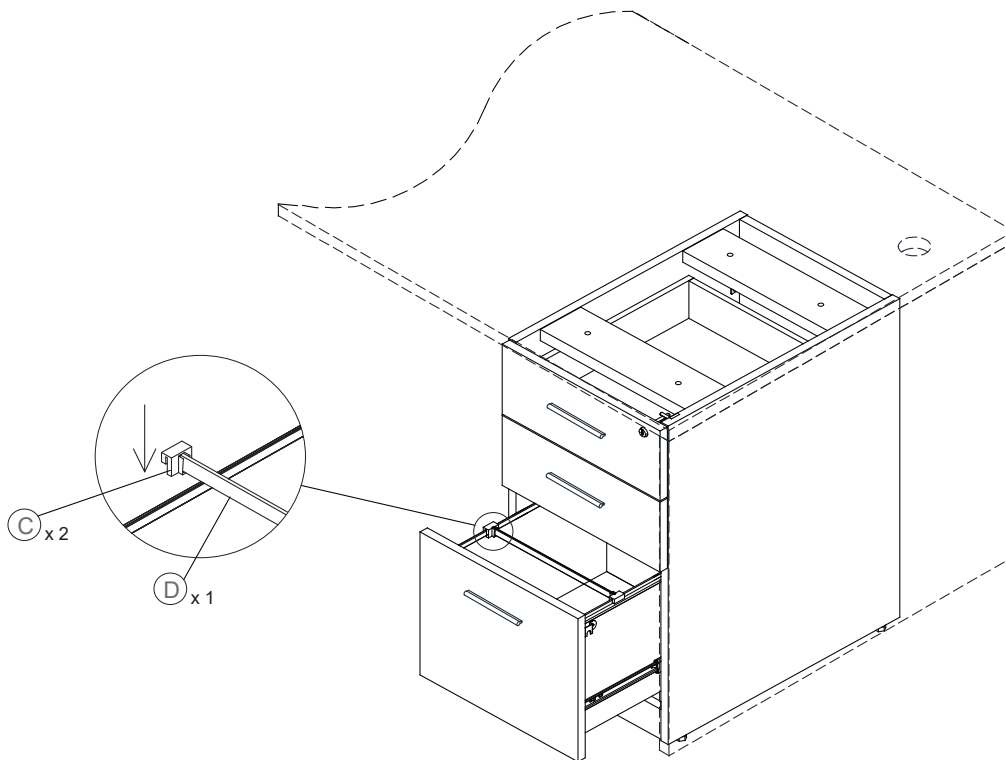
## Assembly Instructions

### INSTRUCTIONS

#### STEP 4



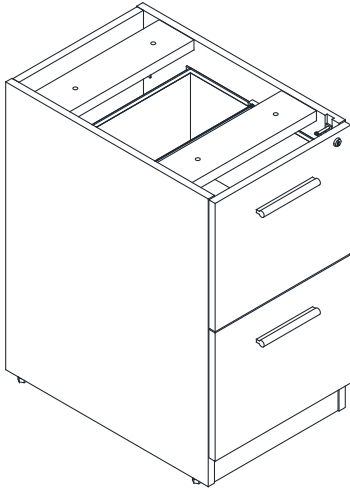
#### STEP 5





# At Work- File/File Under Desk Ped

## Assembly Instructions



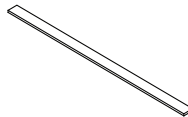
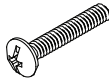
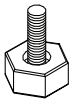
### HARDWARE & TOOLS

- (A) Adjustable glide - 4pcs
- (B) Screw M6\*40 - 4pcs
- (C) File clip - 4pcs
- (D) Metal bar 300\*15\*3- 2pcs
- (E) Key - 1set

#### Tools Required for Assembly

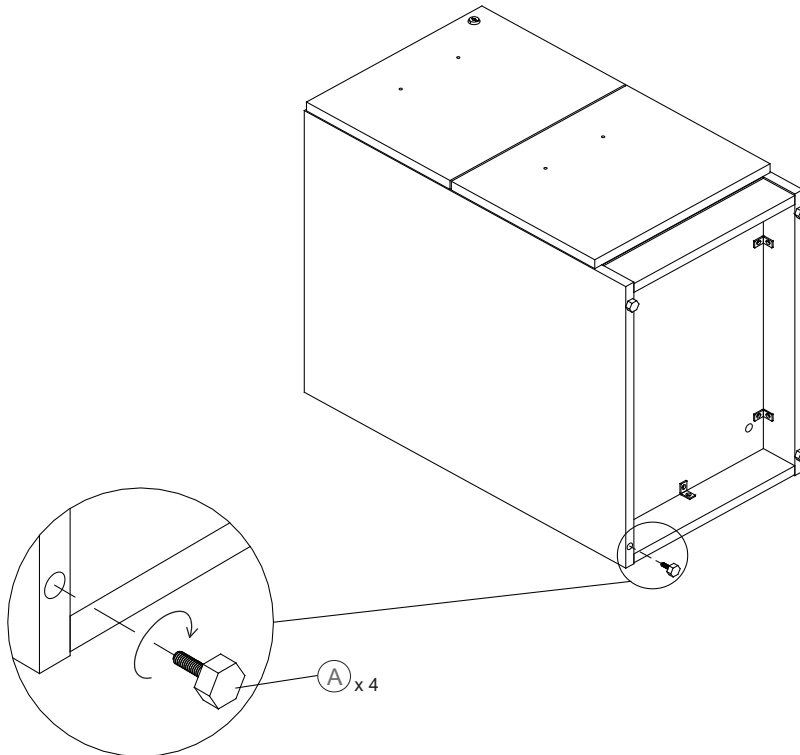


Philips Screw Driver



### INSTRUCTIONS

#### STEP 1





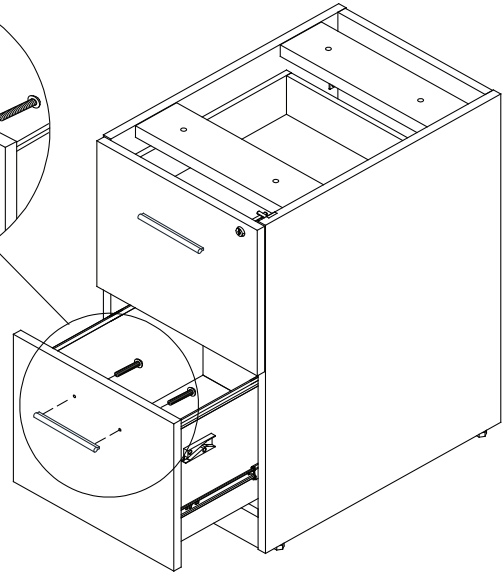
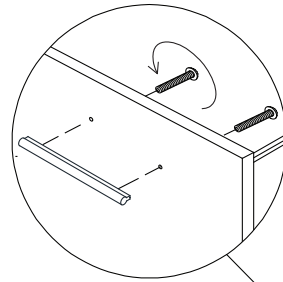
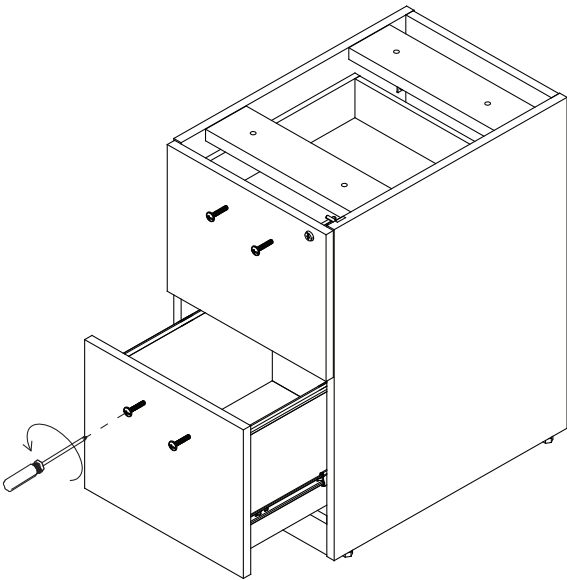
## At Work- File/File Under Desk Ped

Assembly Instructions

### INSTRUCTIONS

#### STEP 2

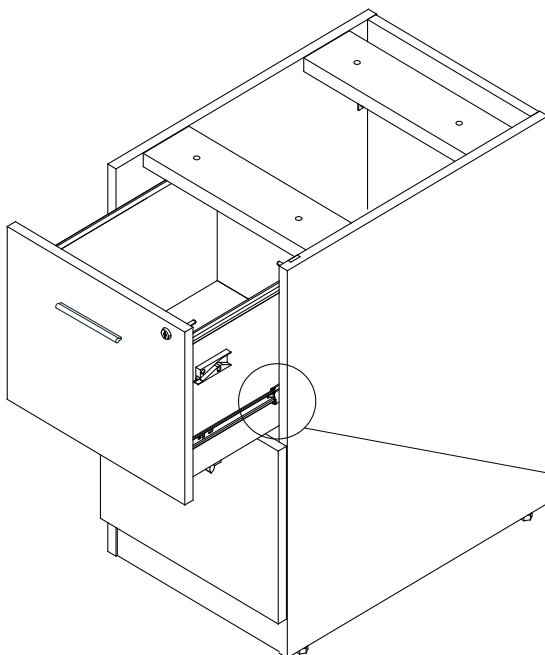
Install the handles on the front panel of drawers with screws.



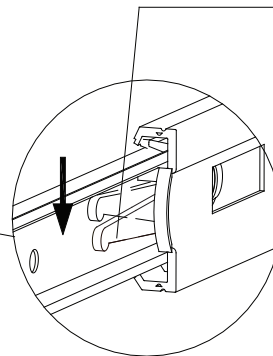
Take off the handles from back panel of drawers.

#### STEP 3

Press the right lever down and left lever up to take off 1 drawer



Lock Lever





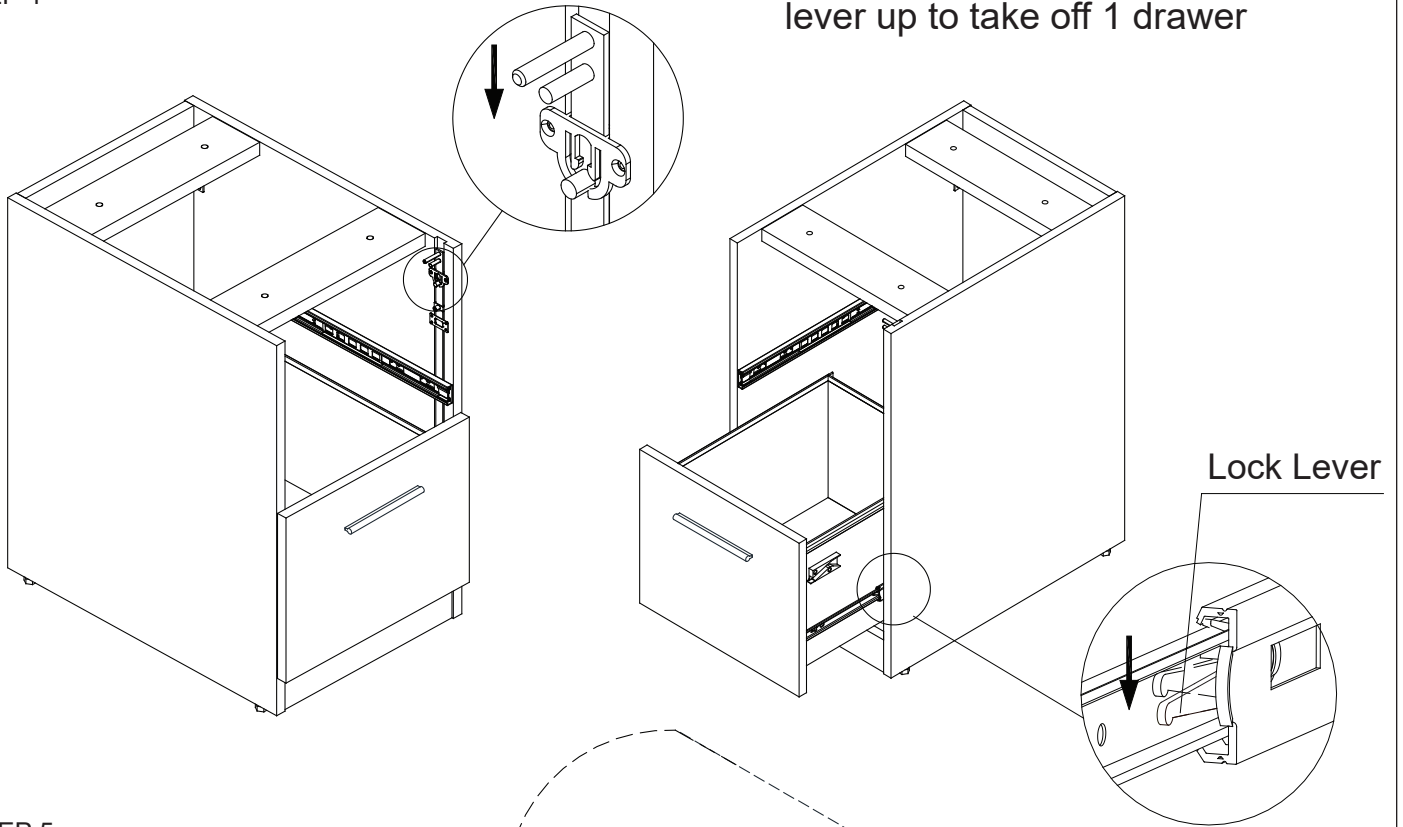
# At Work- File/File Under Desk Ped

## Assembly Instructions

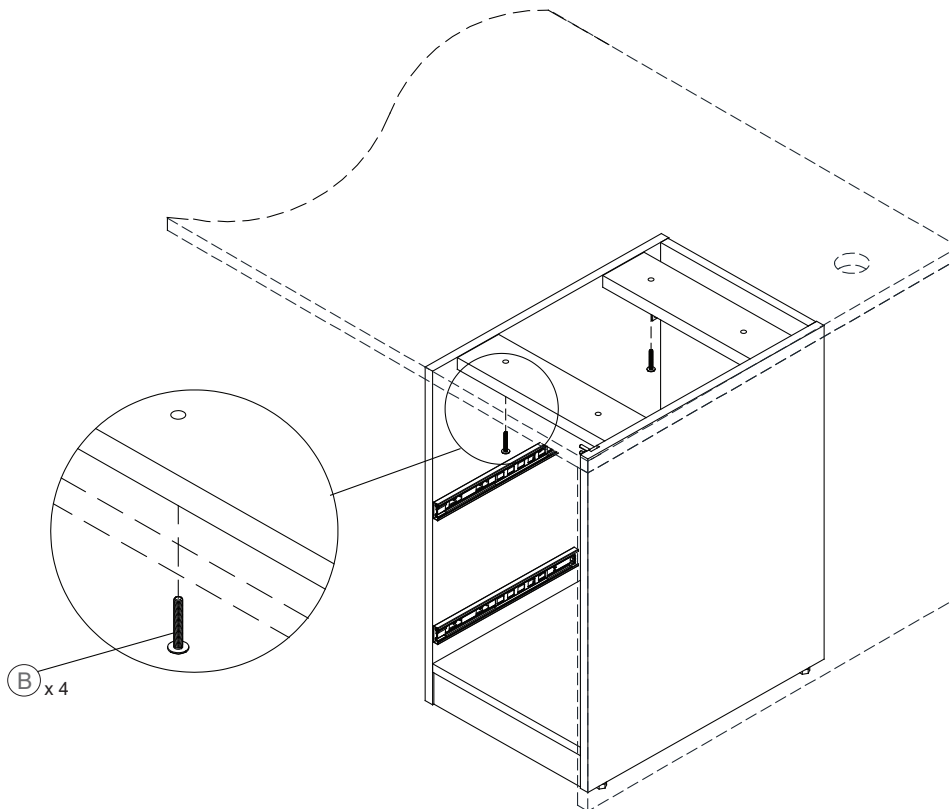
### INSTRUCTIONS

#### STEP 4

Press the right lever down and left lever up to take off 1 drawer



#### STEP 5





## INSTRUCTIONS

### STEP 6

