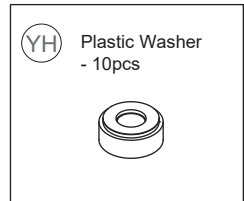
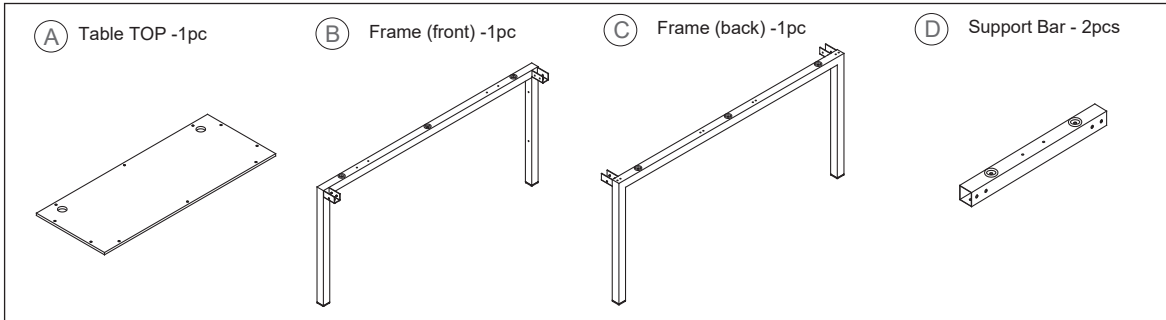


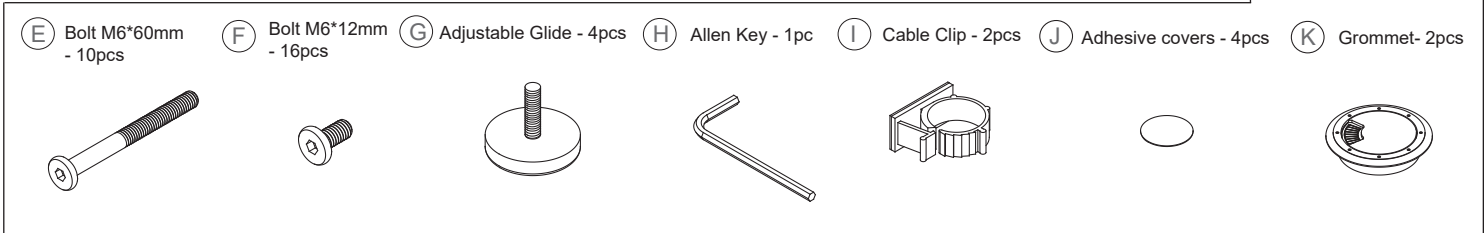


Table without Modesty Panel  
Assembly Instructions

COMPONENTS



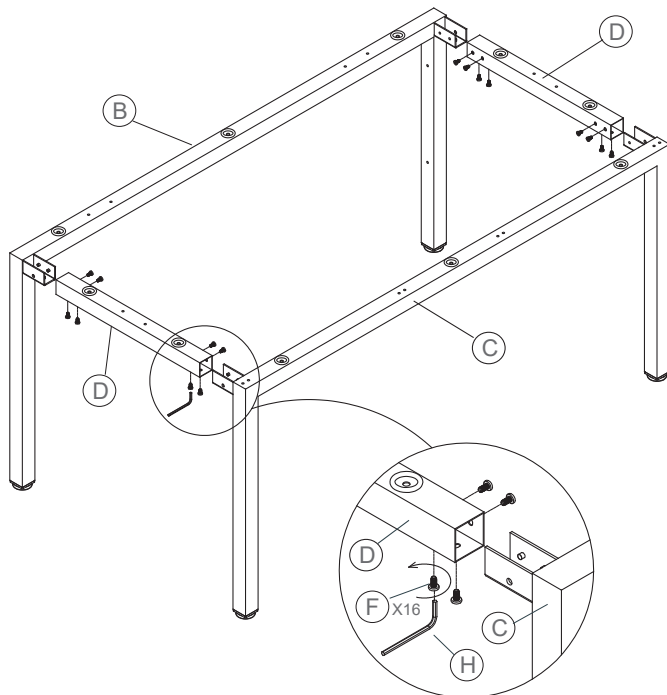
HARDWARE & TOOLS



INSTRUCTIONS

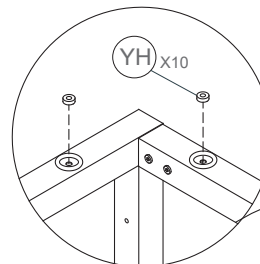
STEP 1

Note: Do not tighten screws until all screws have been hand-started.



STEP 2

Peel off the film of (YH) Washers



Stick washers within metal rings on the frame, assuring that holes line up.

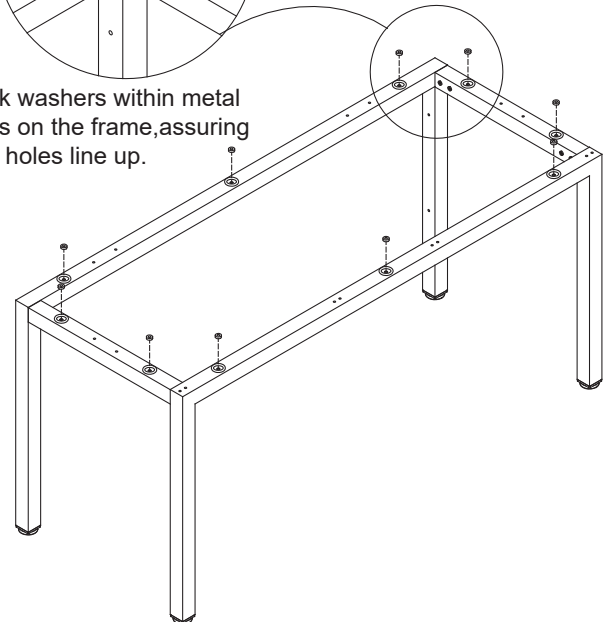




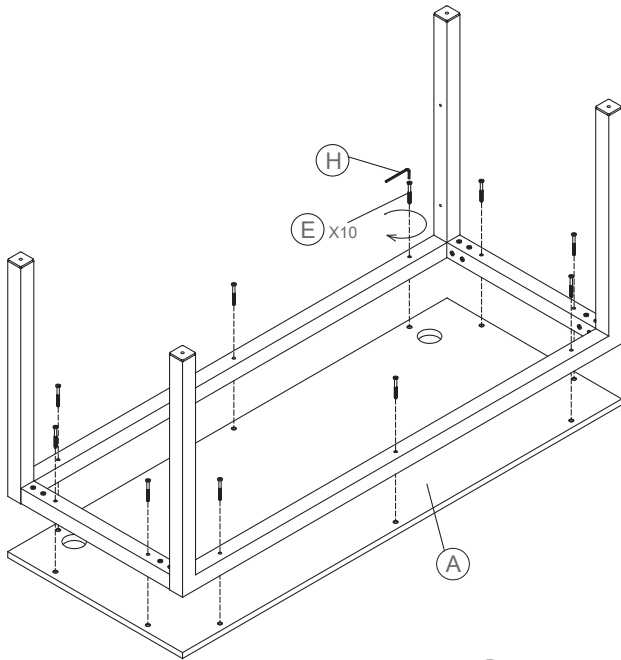
Table without Modesty Panel  
Assembly Instructions

INSTRUCTIONS

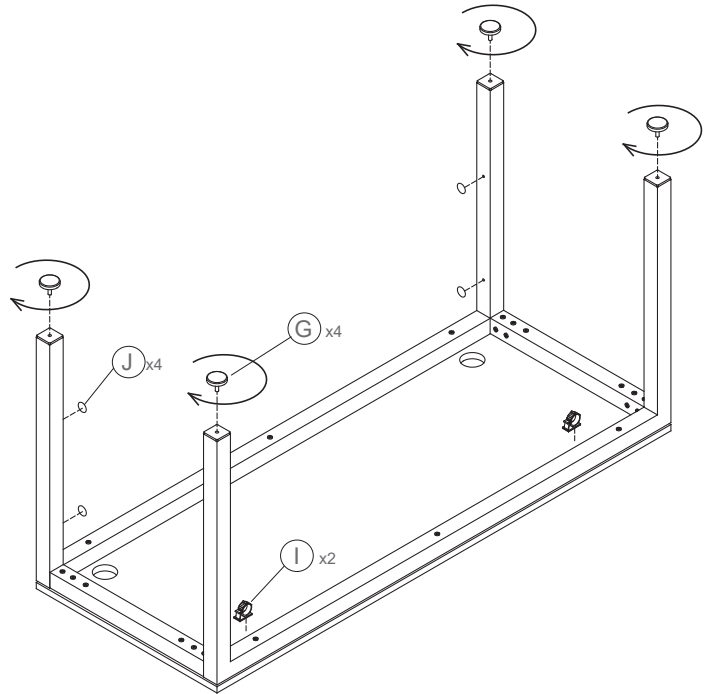
STEP 3

NOTE

If you purchase the Frosted Glass Privacy Panel, make sure to install the metal bracket, from the panel hardware kit, to the station before assembling the desk top.



STEP 4



STEP 5

