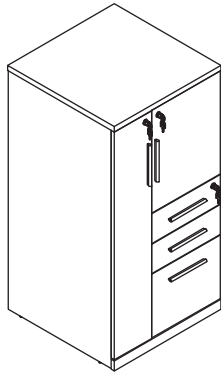




At Work- Wardrobe With Left Door

Assembly Instructions

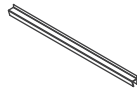


HARDWARE & TOOLS

(A) Adjustable glide - 4pcs



(B) Plastic Hangers-2pcs



(C) Hanging bar-1pc



(D) Shelf support-4pcs

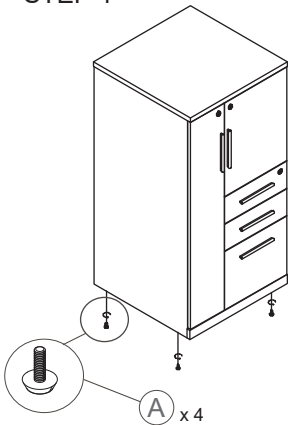


(E) Keys-3Sets

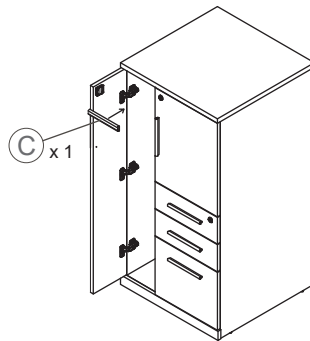


INSTRUCTIONS

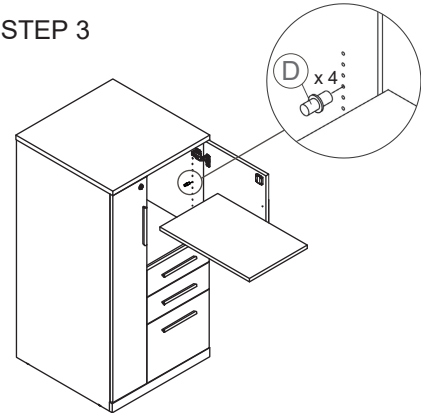
STEP 1



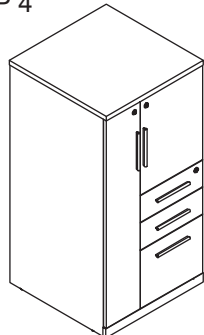
STEP 2



STEP 3



STEP 4



COMPLETED

