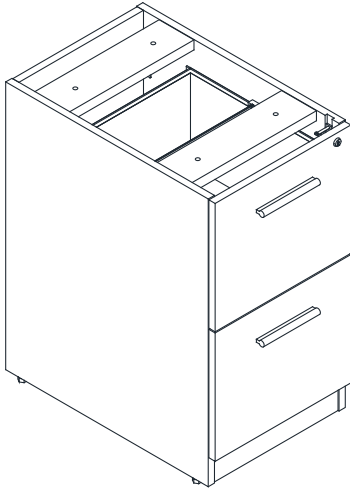




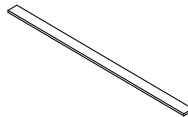
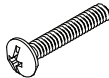
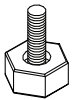
At Work- File/File Under Desk Ped

Assembly Instructions



HARDWARE & TOOLS

- (A) Adjustable glide - 4pcs (B) Screw M6*40 - 4pcs (C) File clip - 4pcs (D) Metal bar 300*15*3- 2pcs (E) Key- 1set



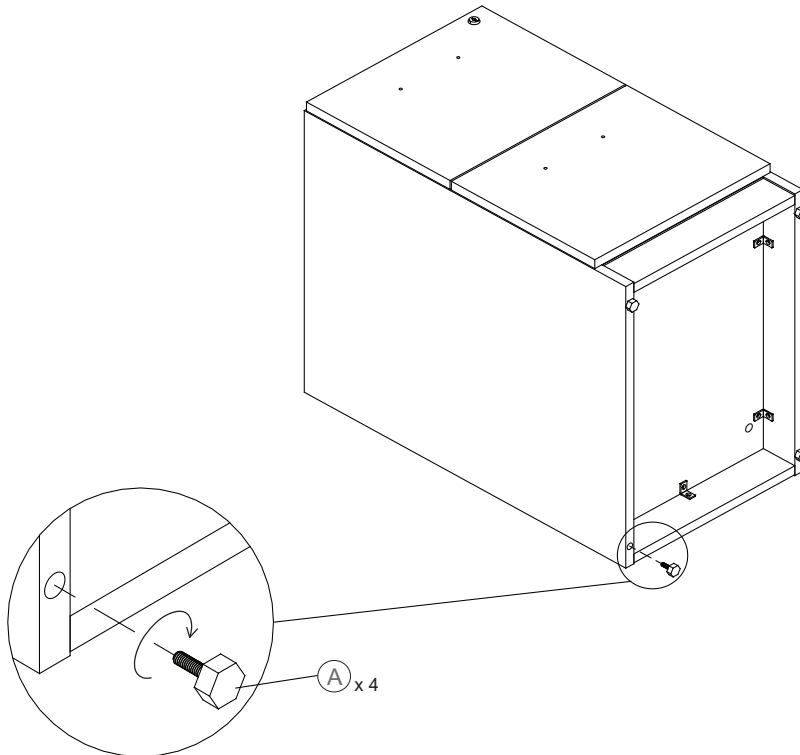
Tools Required for Assembly



Philips Screw Driver

INSTRUCTIONS

STEP 1





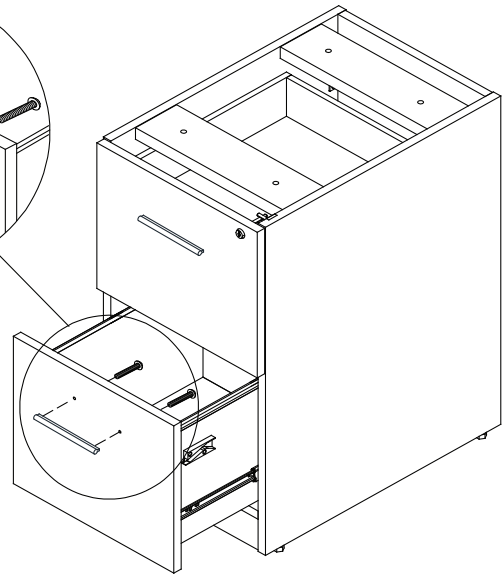
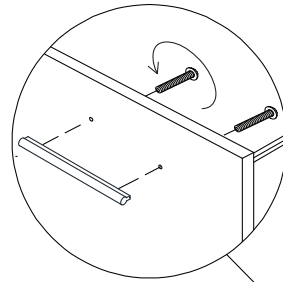
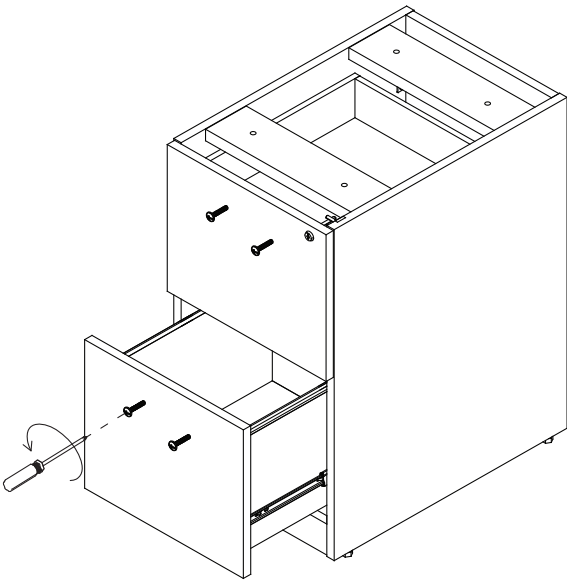
At Work- File/File Under Desk Ped

Assembly Instructions

INSTRUCTIONS

STEP 2

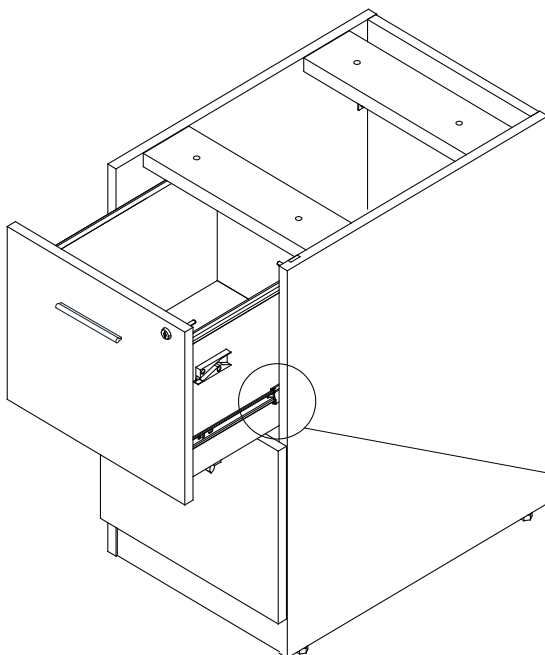
Install the handles on the front panel of drawers with screws.



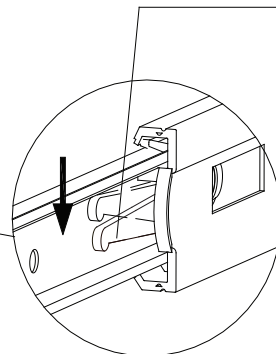
Take off the handles from back panel of drawers.

STEP 3

Press the right lever down and left lever up to take off 1 drawer



Lock Lever





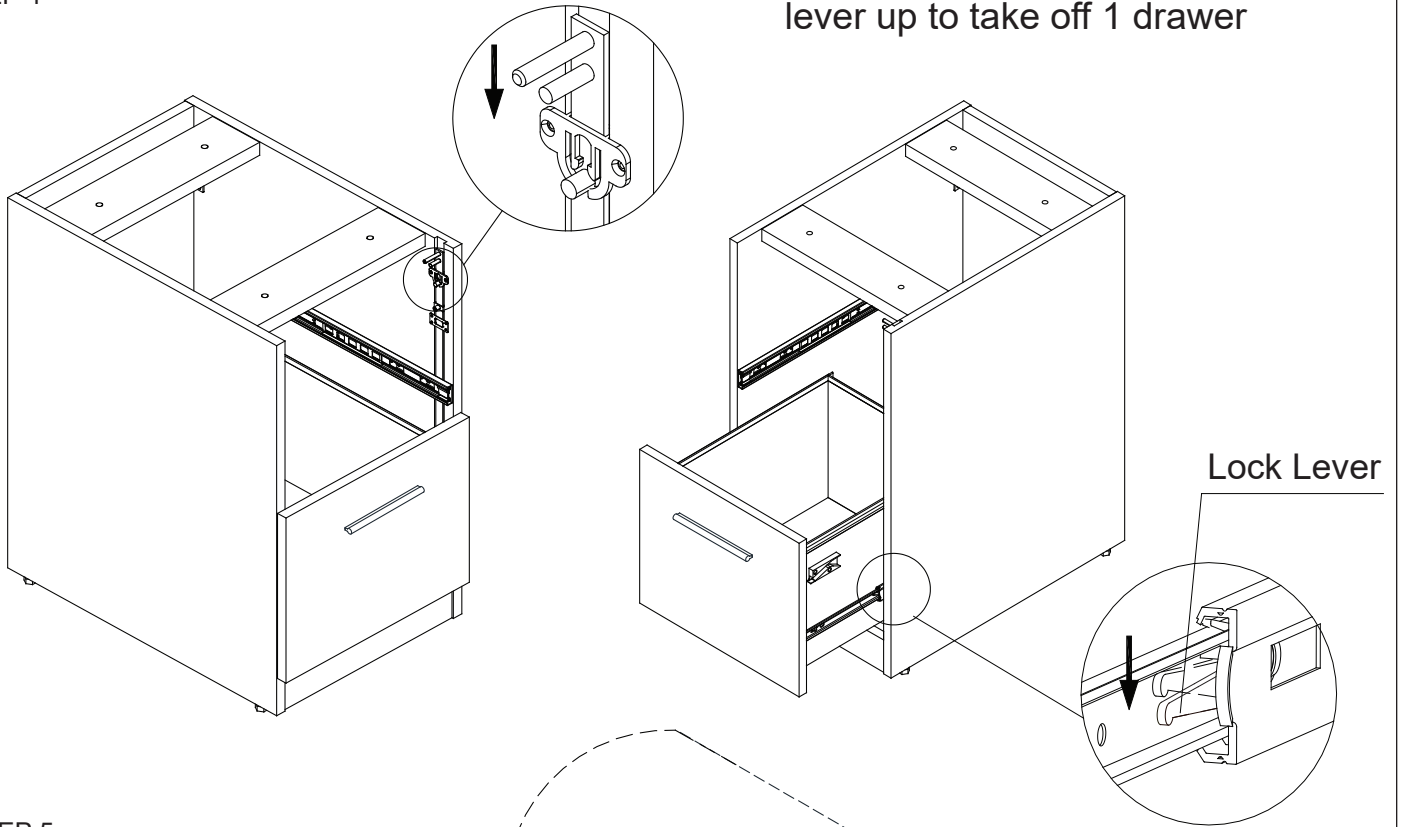
At Work- File/File Under Desk Ped

Assembly Instructions

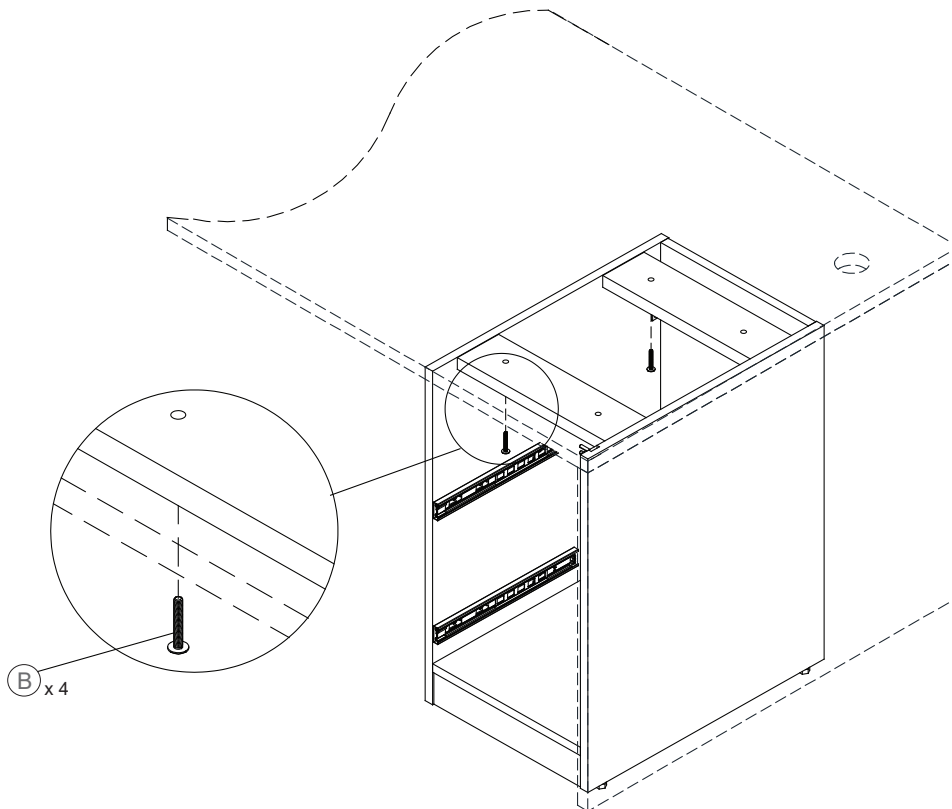
INSTRUCTIONS

STEP 4

Press the right lever down and left lever up to take off 1 drawer



STEP 5





INSTRUCTIONS

STEP 6

