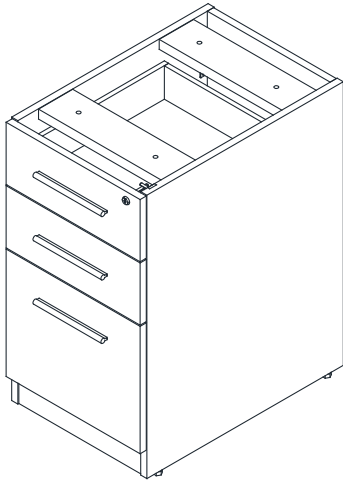




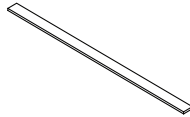
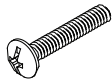
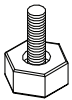
At Work- Box/Box/File Under Desk Pedestal

Assembly Instructions

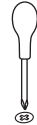


HARDWARE & TOOLS

- (A) Adjustable glide - 4pcs
- (B) Screw M6*40 - 4pcs
- (C) File clip - 2pcs
- (D) Metal bar 300*15*3- 1pc
- (E) Key- 1set



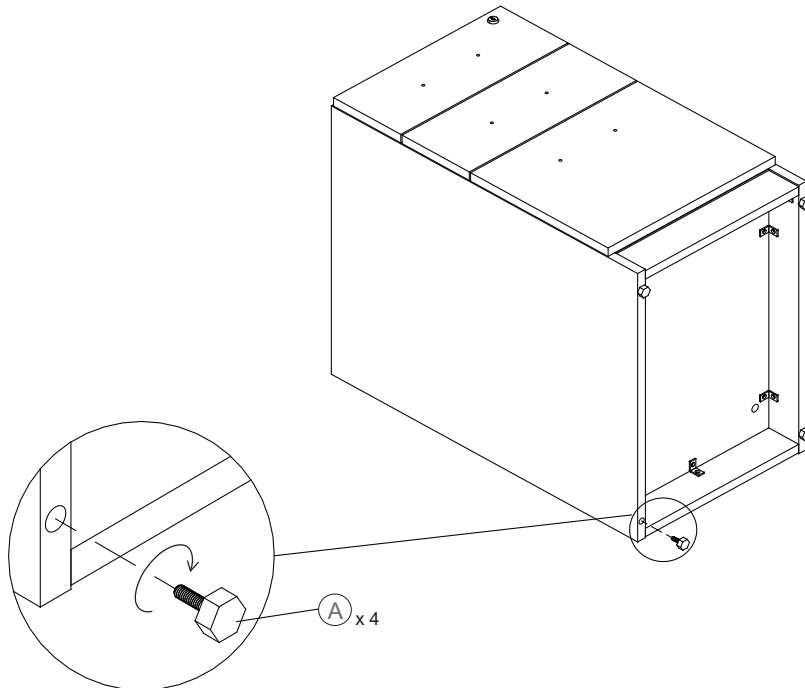
Tools Required for Assembly



Philips Screw Driver

INSTRUCTIONS

STEP 1





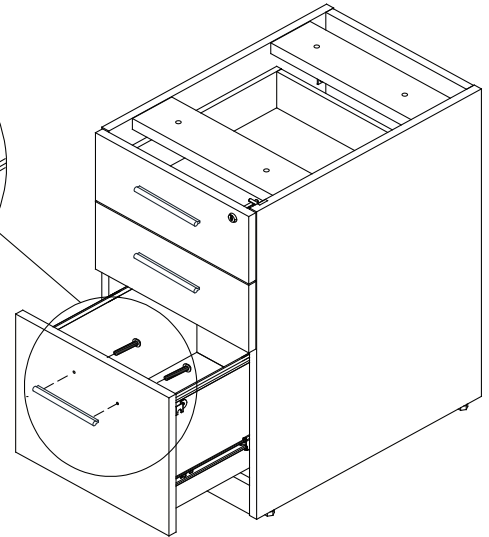
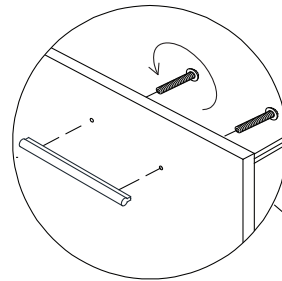
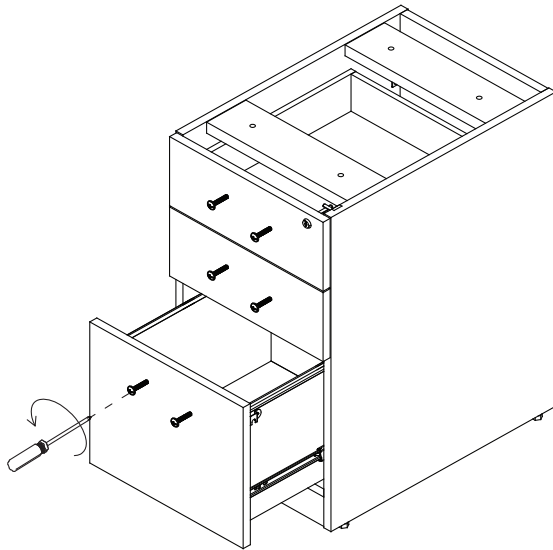
At Work- Box/Box/File Under Desk Pedestal

Assembly Instructions

INSTRUCTIONS

STEP 2

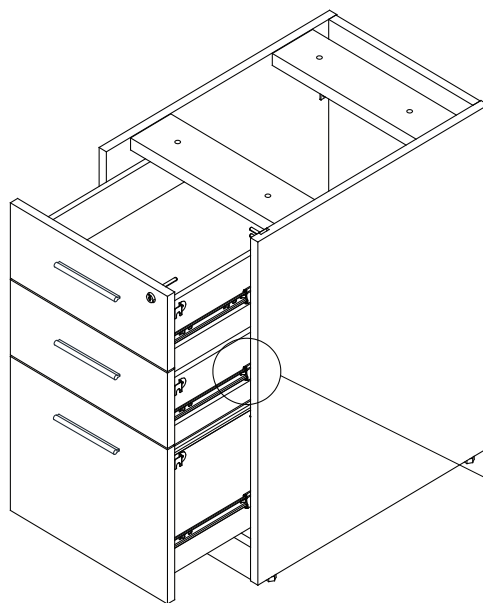
Install the handles on the front panel of drawers with screws.



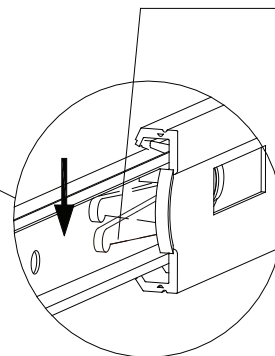
Take off the handles from back panel of drawers.

STEP 3

Press the right lever down and left lever up to take off 3 drawers



Lock Lever



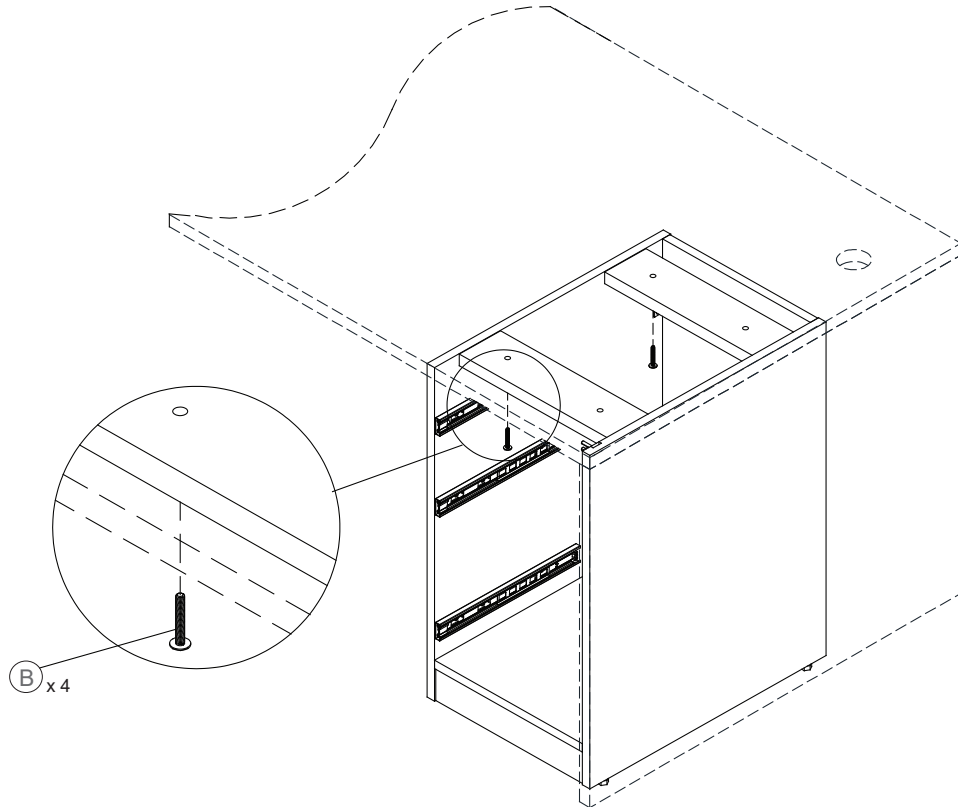


At Work- Box/Box/File Under Desk Pedestal

Assembly Instructions

INSTRUCTIONS

STEP 4



STEP 5

