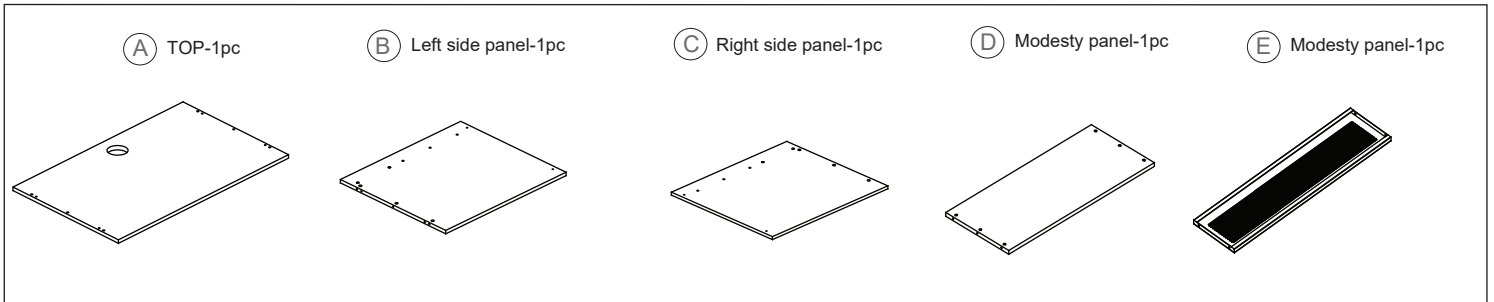


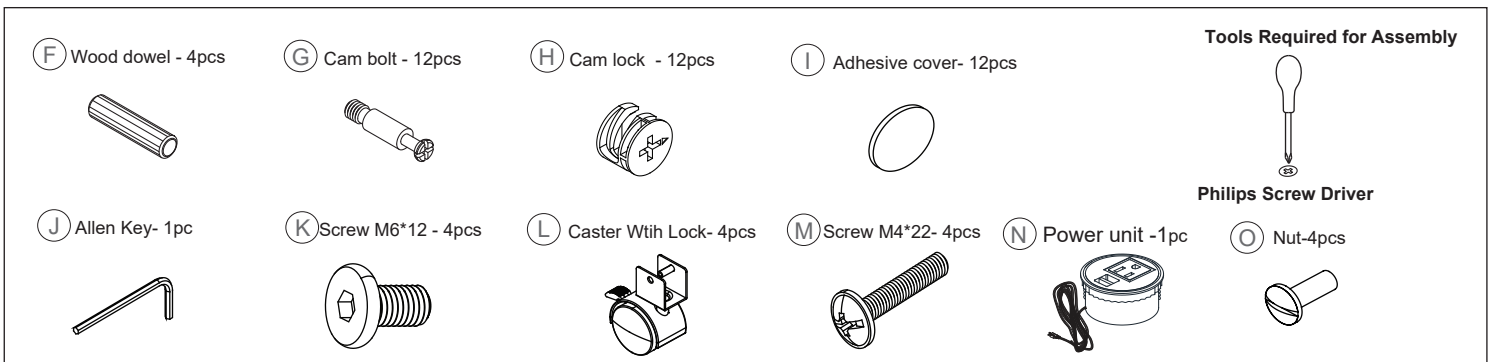


At Work- 48"W Standing Height Desk Assembly Instructions

COMPONENTS

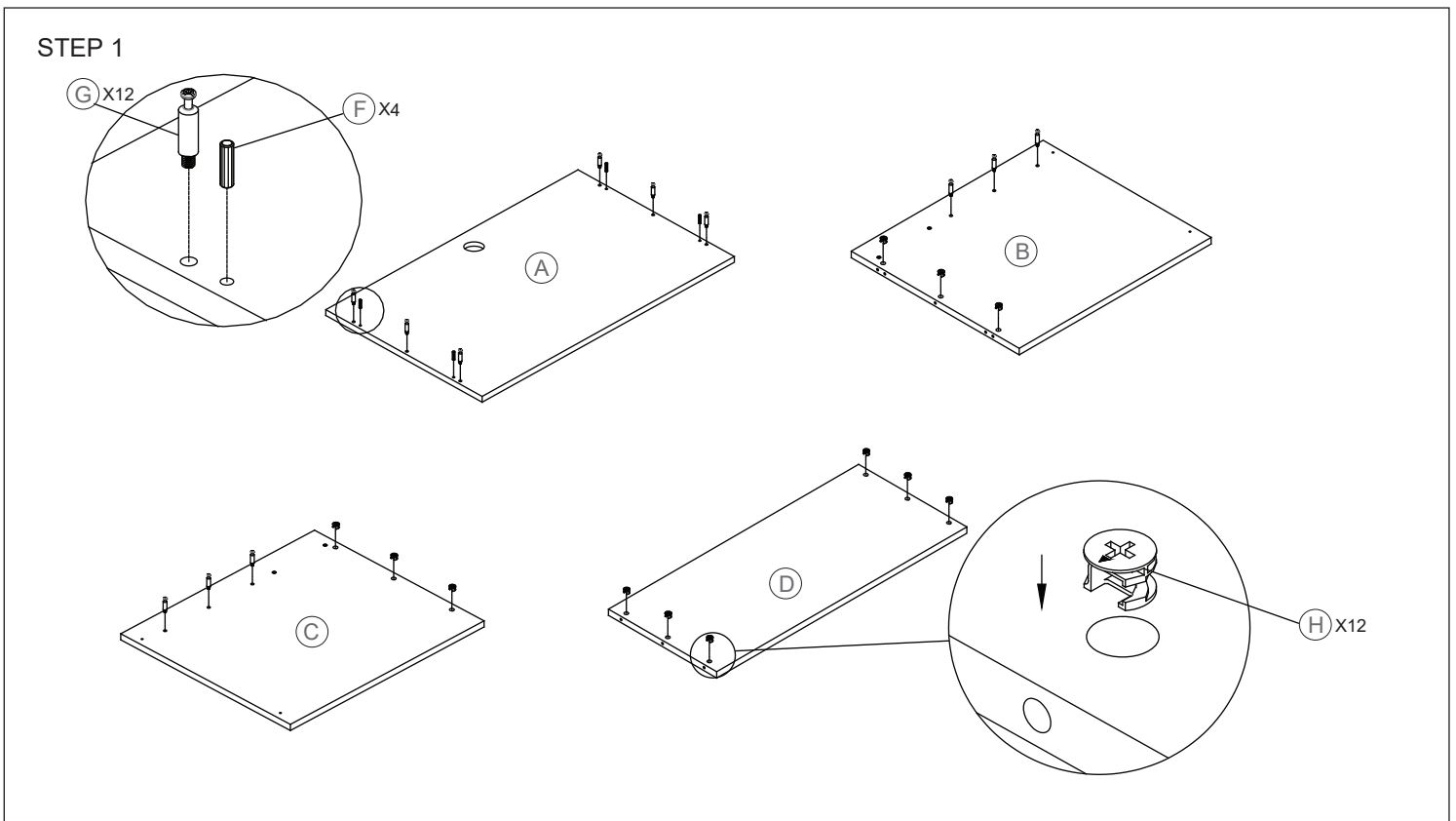


HARDWARE & TOOLS



INSTRUCTIONS

STEP 1



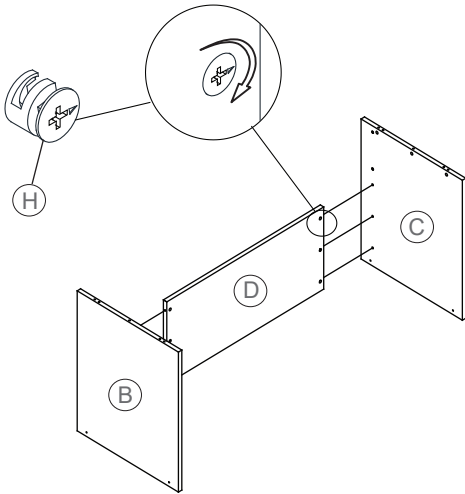


At Work- 48"W Standing Height Desk

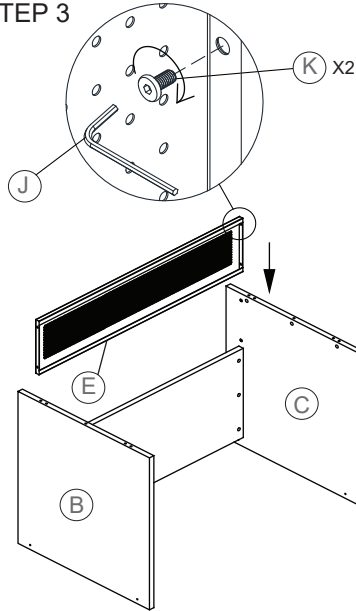
Assembly Instructions

INSTRUCTIONS

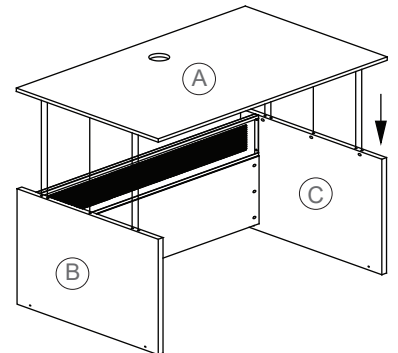
STEP 2



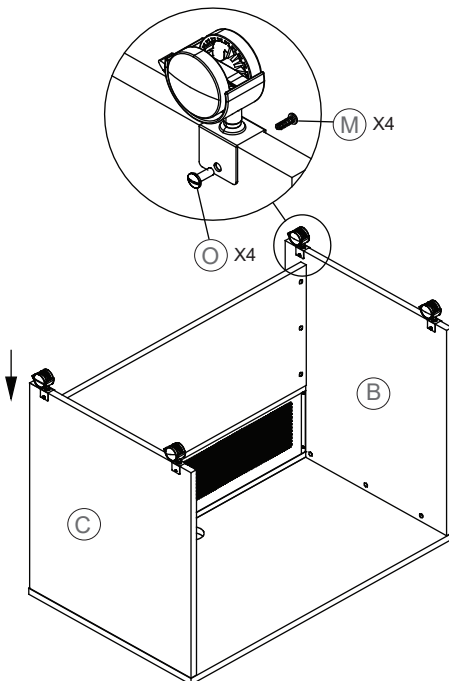
STEP 3



STEP 4



STEP 5



STEP 6

