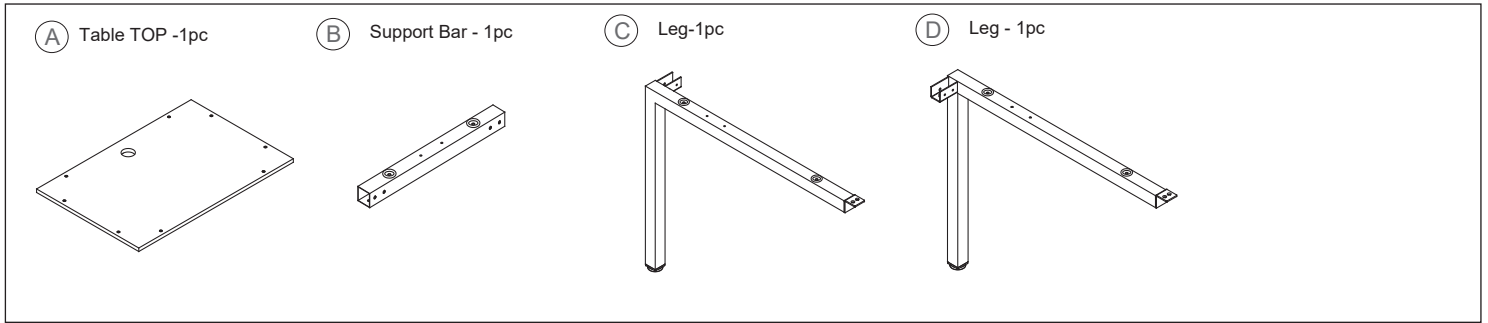




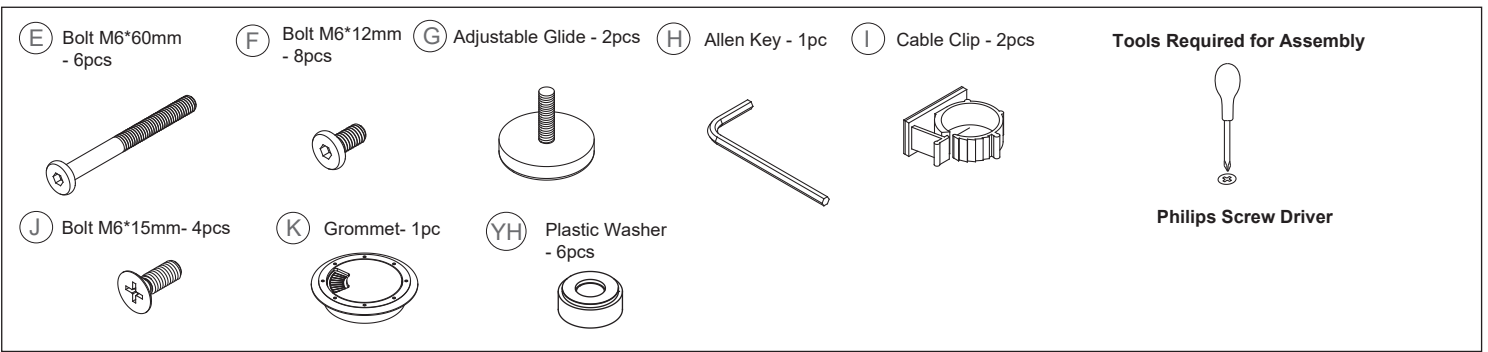
At Work- Return for 60" L Desk

Assembly Instructions

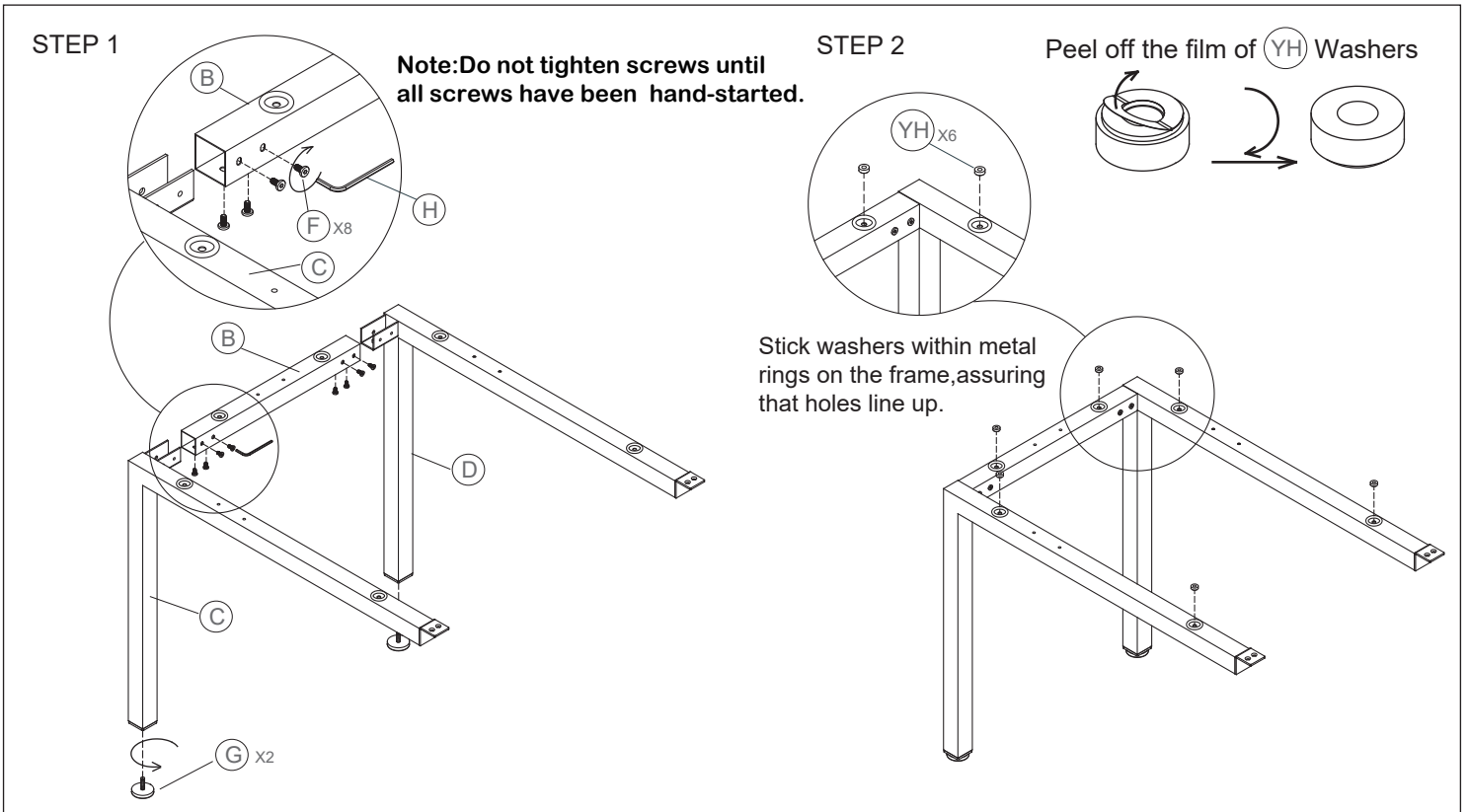
COMPONENTS



HARDWARE & TOOLS



INSTRUCTIONS **Note:** To create an "L"-shape desk, build both return and main desk frames before adding tops. See step 3.





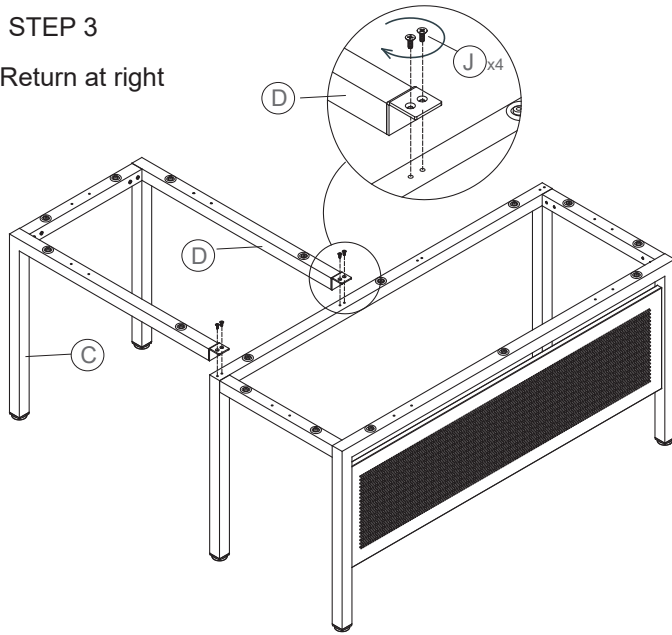
At Work- Return for 60" L Desk

Assembly Instructions

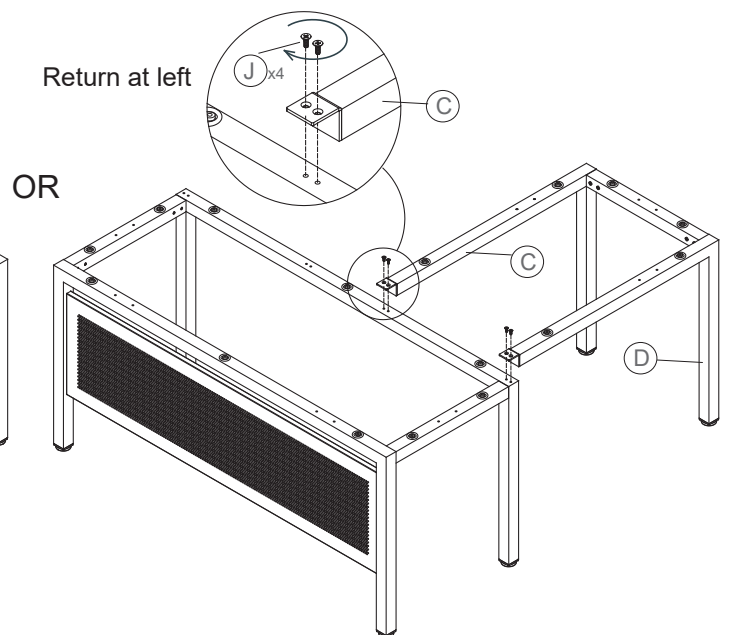
INSTRUCTIONS

STEP 3

Return at right

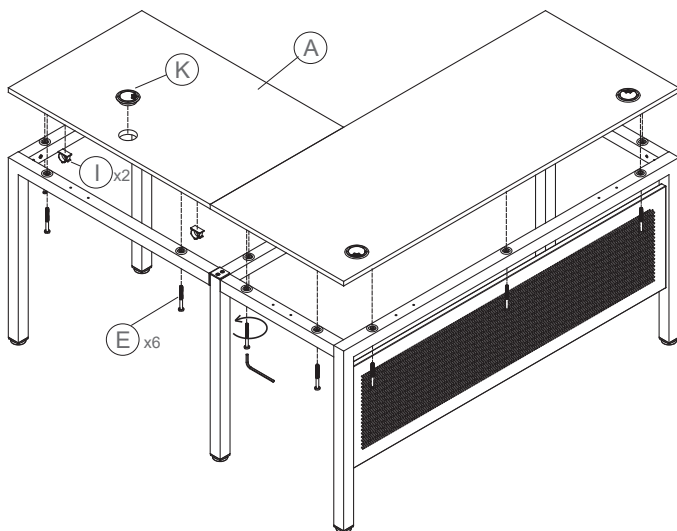


Return at left

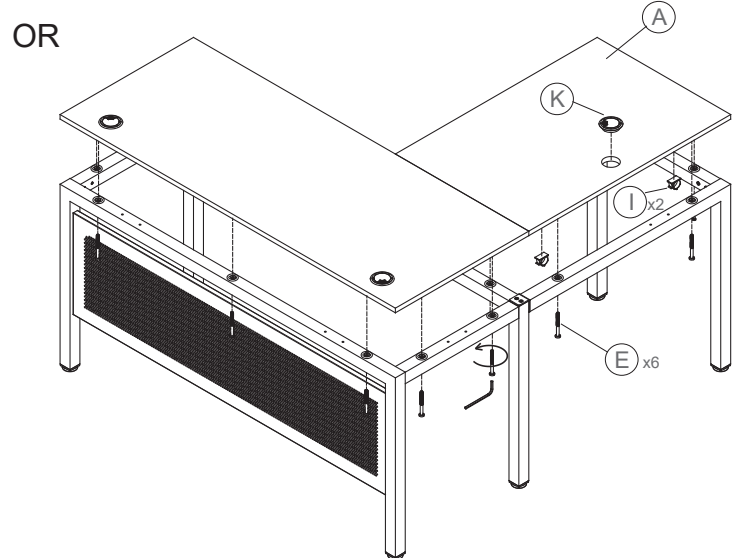


STEP 4

Return at right



Return at left



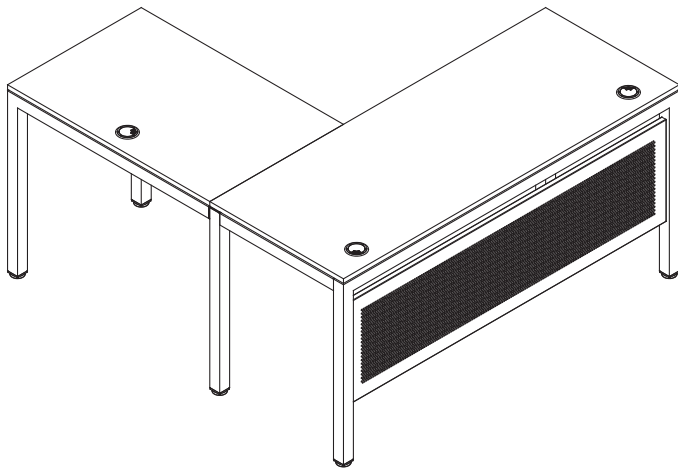


At Work- Return for 60" L Desk

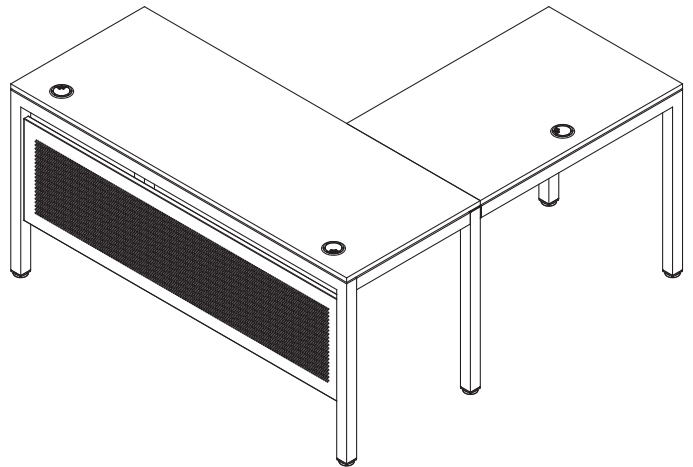
Assembly Instructions

INSTRUCTIONS

Return at right



Return at left



COMPLETED