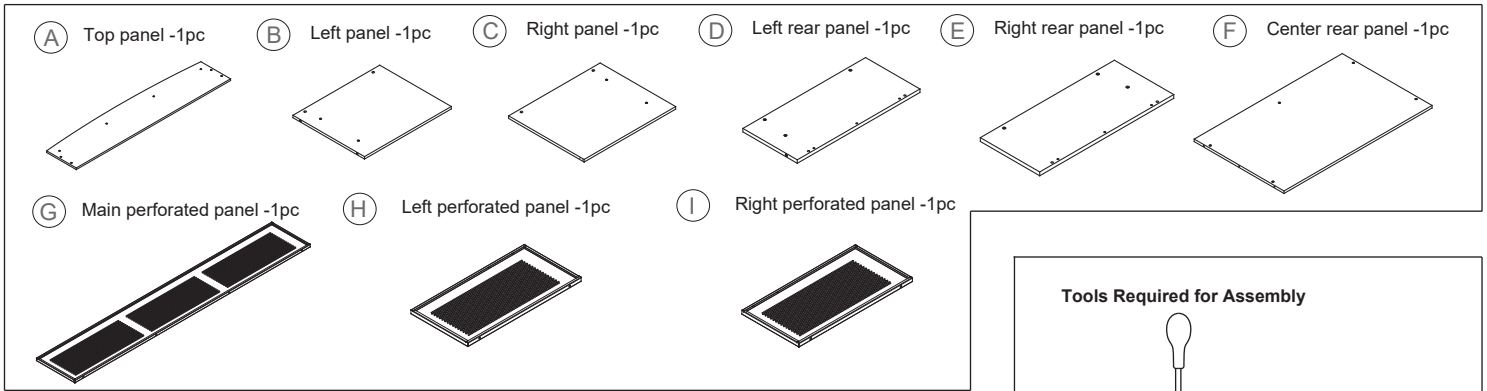




# At Work- 73" x 30" Reception Desk Assembly Instructions

## COMPONENTS

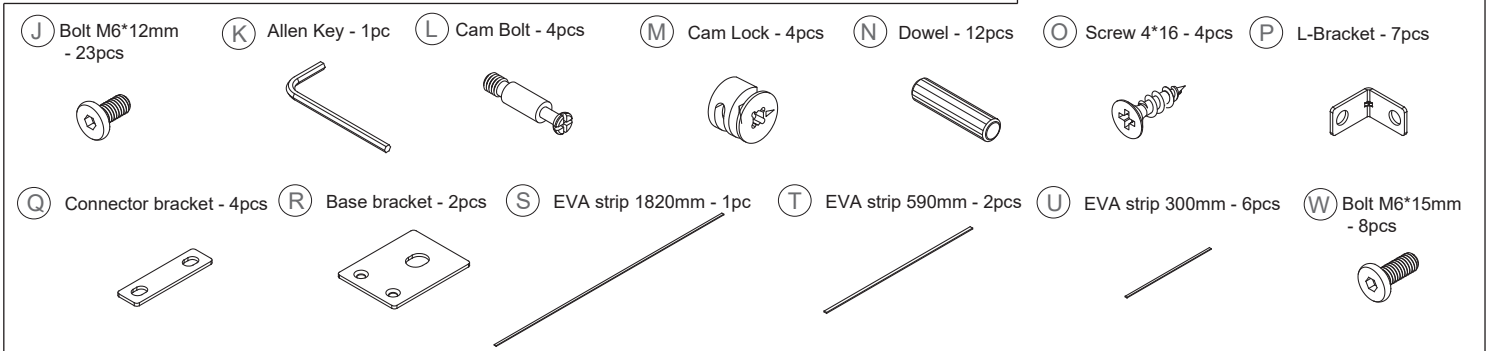


### Tools Required for Assembly

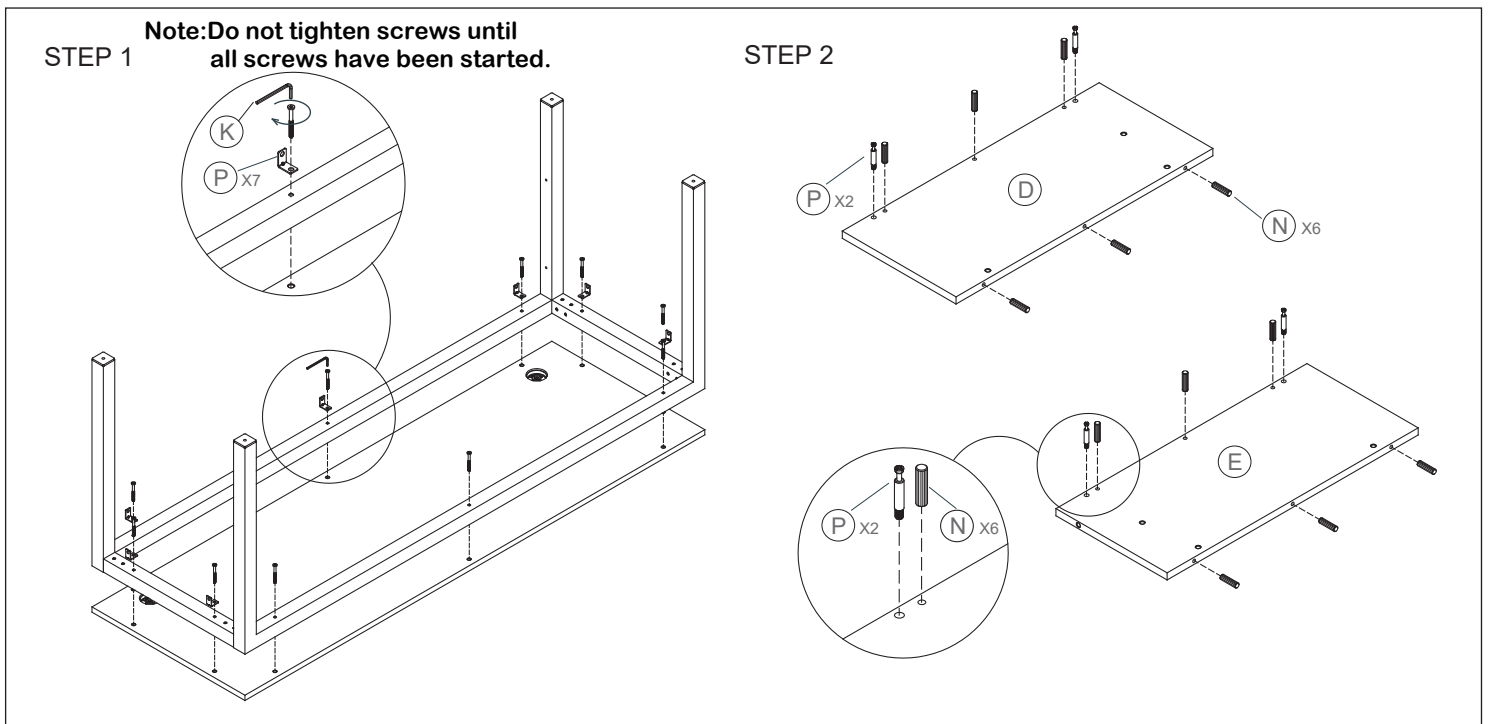


Philips Screw Driver

## HARDWARE & TOOLS



## INSTRUCTIONS

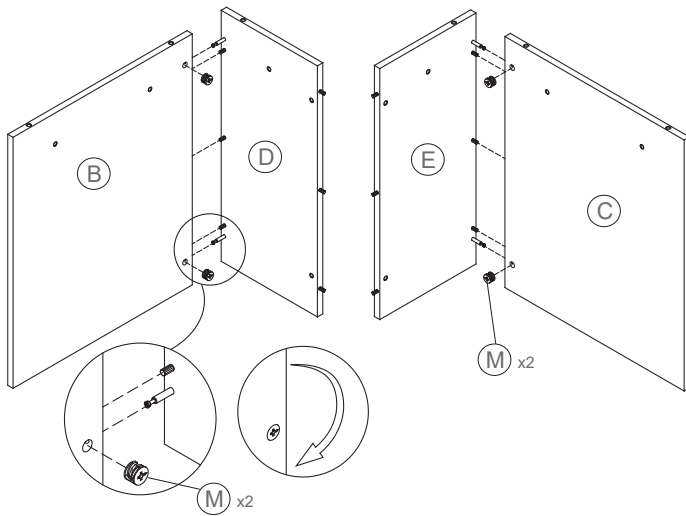




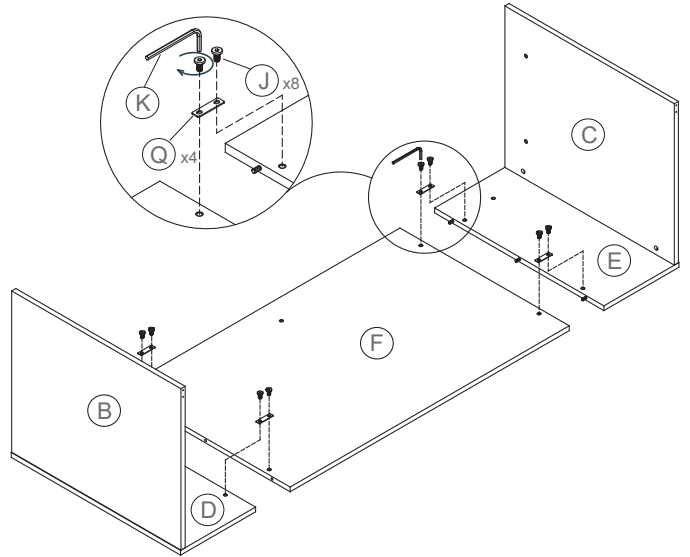
# At Work- 73" x 30" Reception Desk Assembly Instructions

## INSTRUCTIONS

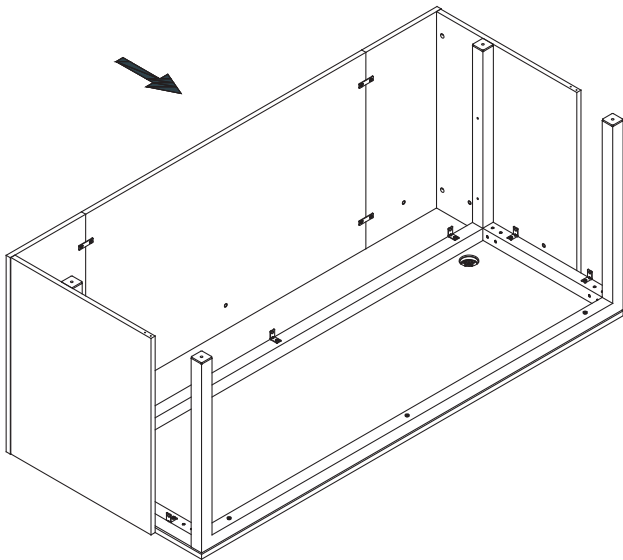
STEP 3



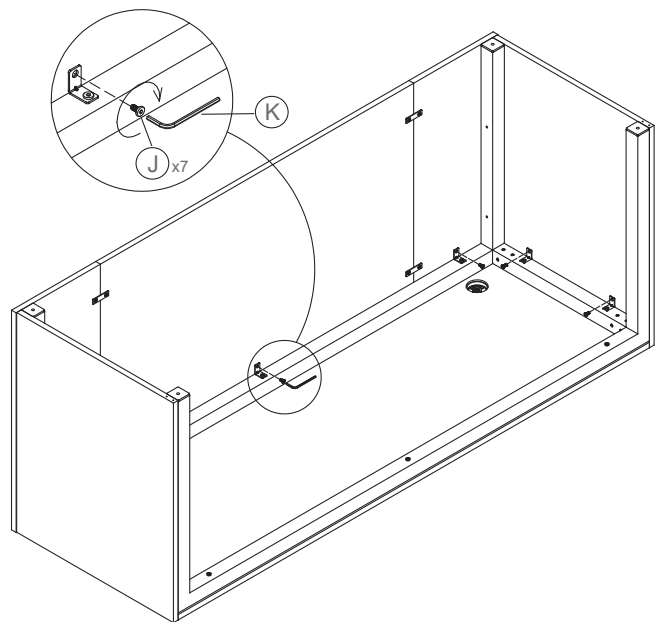
STEP 4



STEP 5



STEP 6

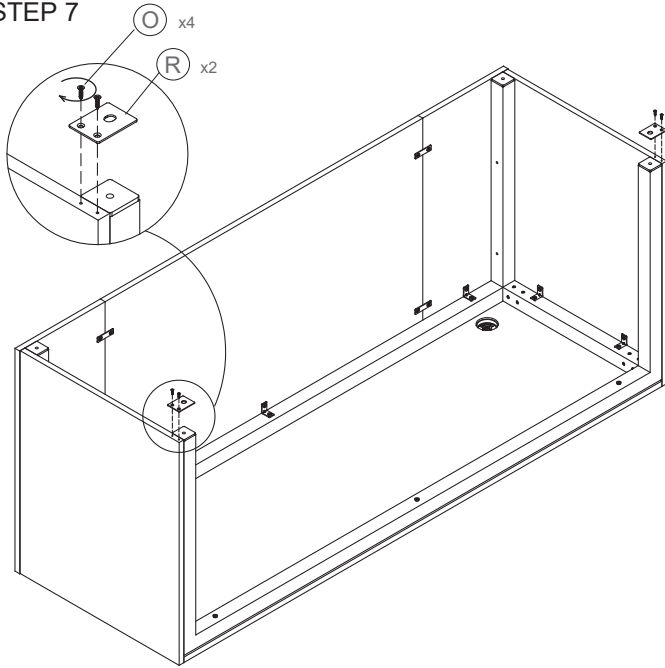




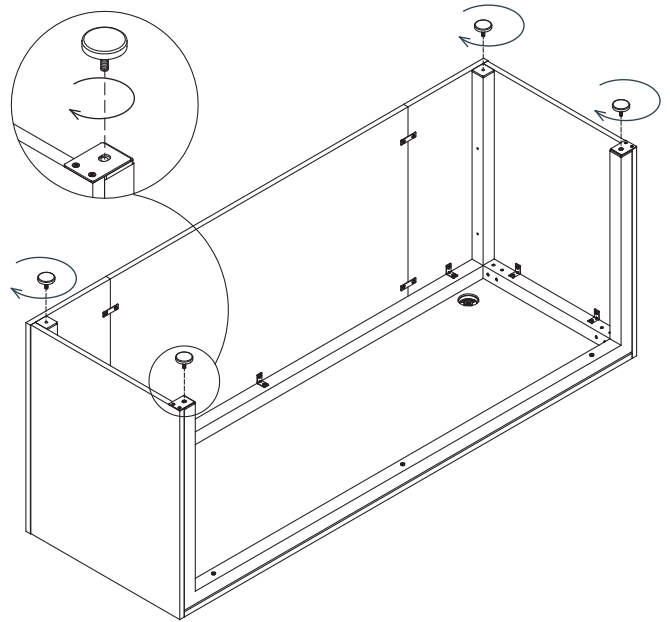
# At Work- 73" x 30" Reception Desk Assembly Instructions

## INSTRUCTIONS

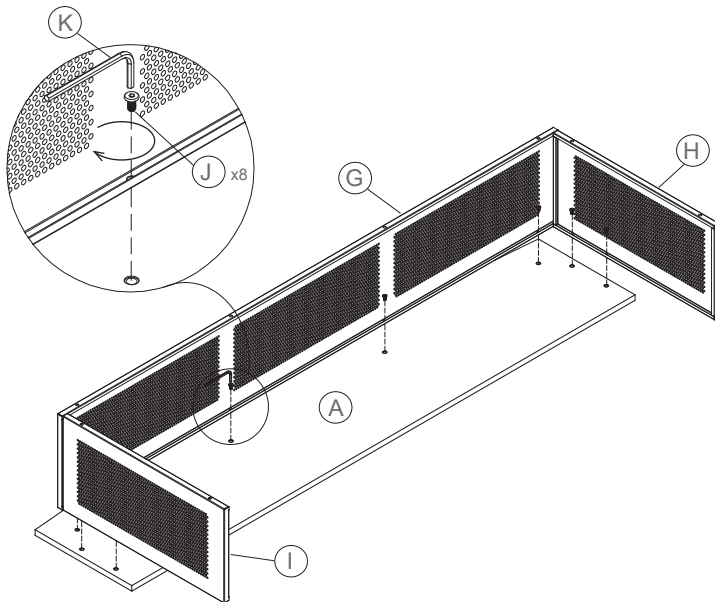
STEP 7



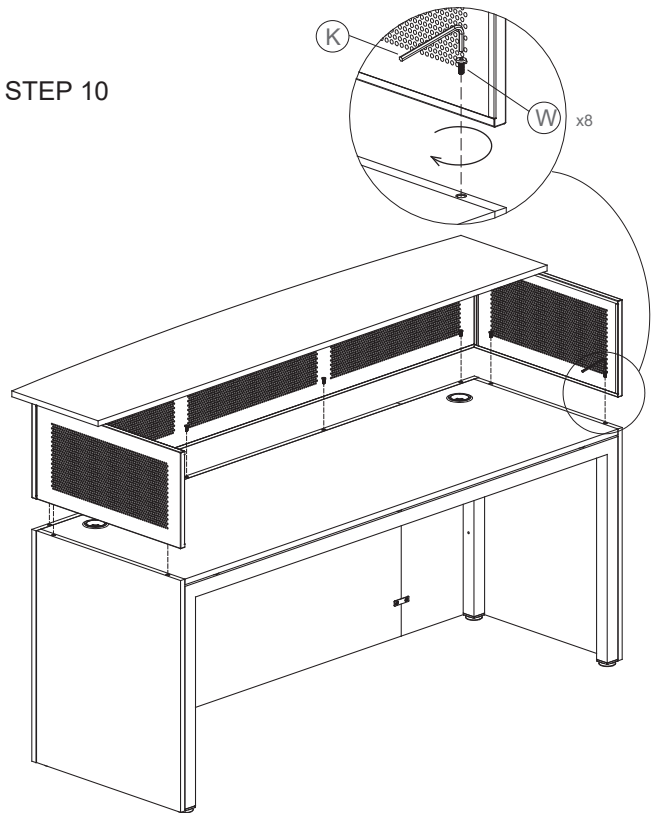
STEP 8



STEP 9



STEP 10



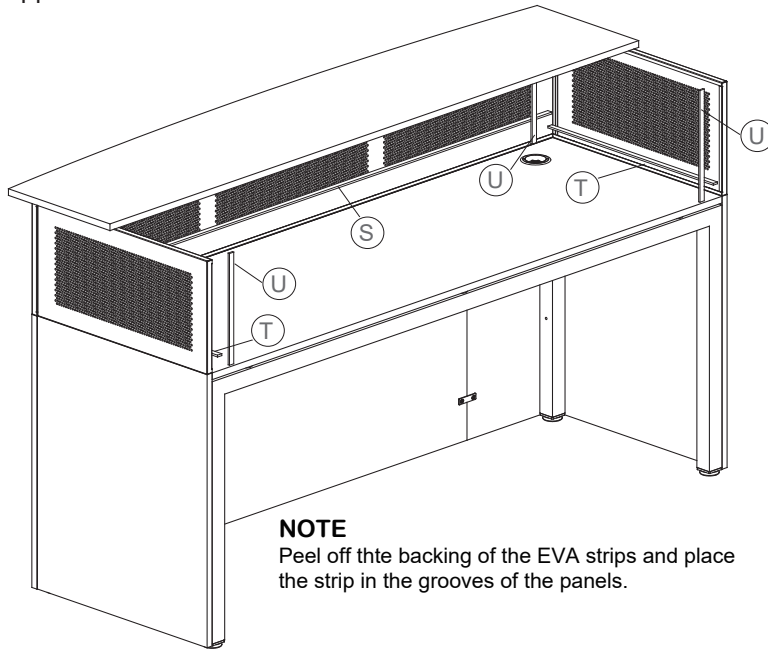


# At Work- 73" x 30" Reception Desk

Assembly Instructions

## INSTRUCTIONS

### STEP 11



**NOTE**  
Peel off the backing of the EVA strips and place the strip in the grooves of the panels.

### COMPLETED

