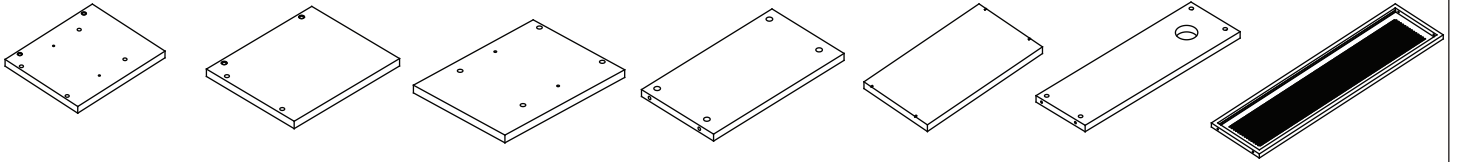




# At Work- 48" Hutch Assembly Instructions

## COMPONENTS

- (A) Left side panel-1pc
- (B) Right side panel-1pc
- (C) Center panel-1pc
- (D) Fixed panel-2pcs
- (E) Adjustable panel-1pc
- (F) Bottom panel-1pc
- (G) Modesty panel-1pc



## HARDWARE & TOOLS

- (H) Cam bolt - 12pcs



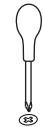
- (I) Cam lock - 12pcs



- (J) Adhesive cover - 12pcs



### Tools Required for Assembly

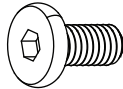


Philips Screw Driver

- (K) Allen Key- 1pc



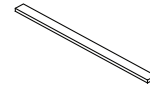
- (L) Screw M6\*30 - 4pcs



- (M) Shelf support - 4pcs

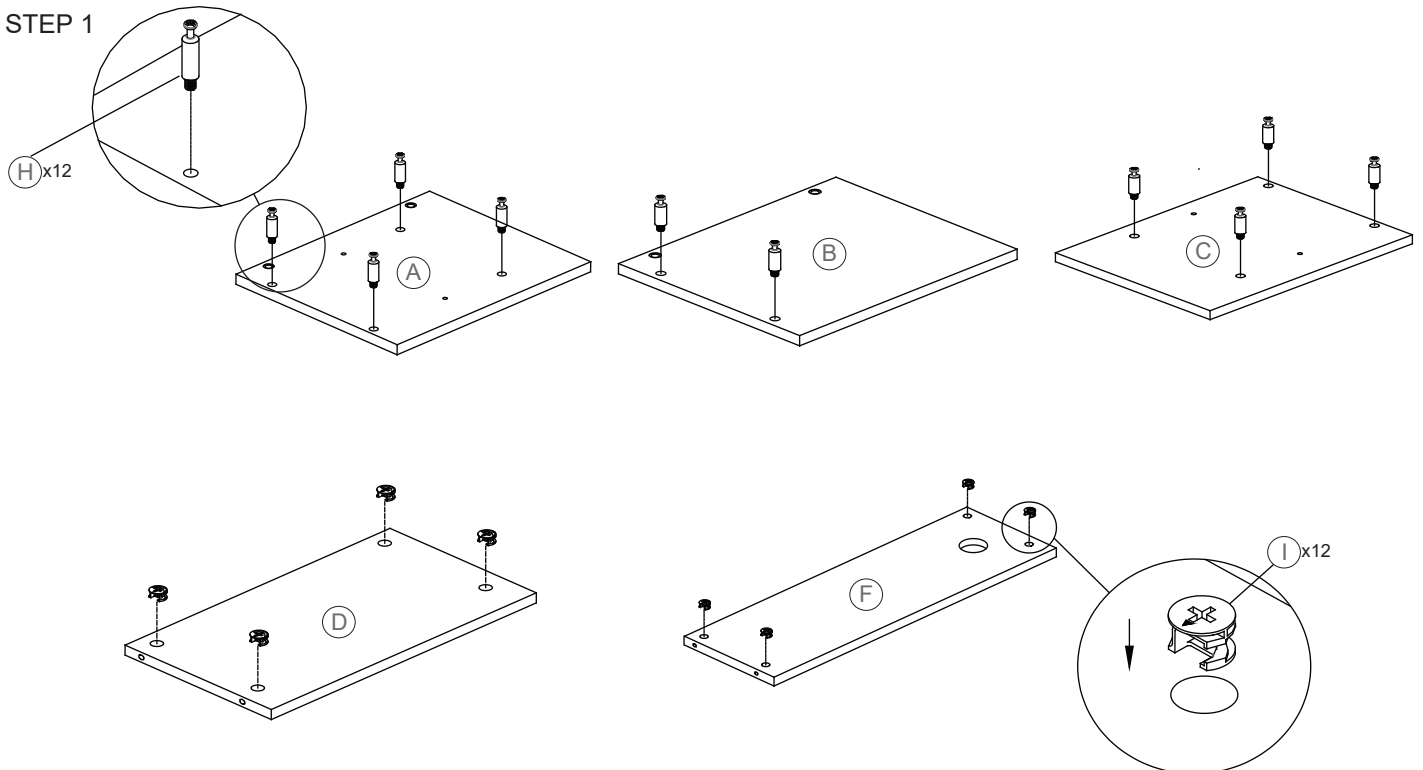


- (N) Sid EVA tape - 2pc



## INSTRUCTIONS

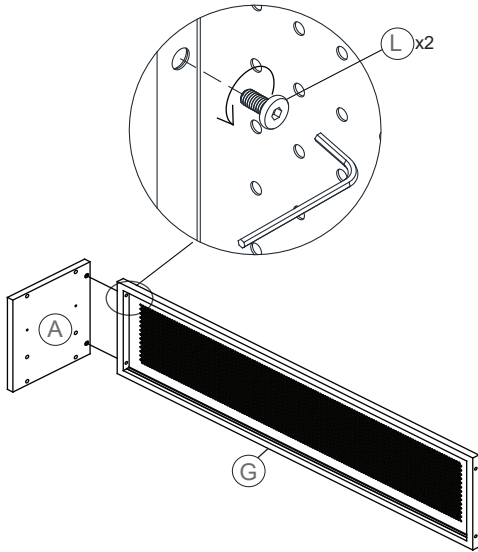
### STEP 1



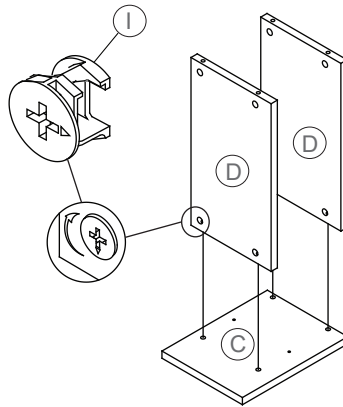


INSTRUCTIONS

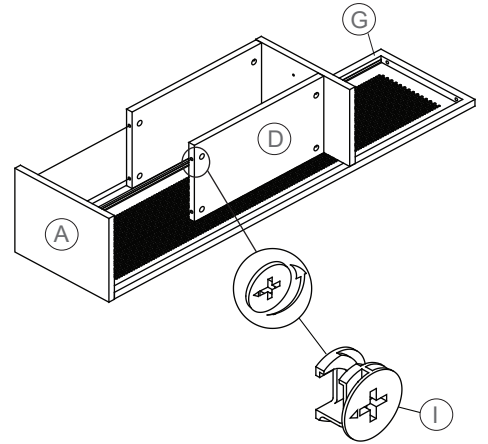
STEP 2



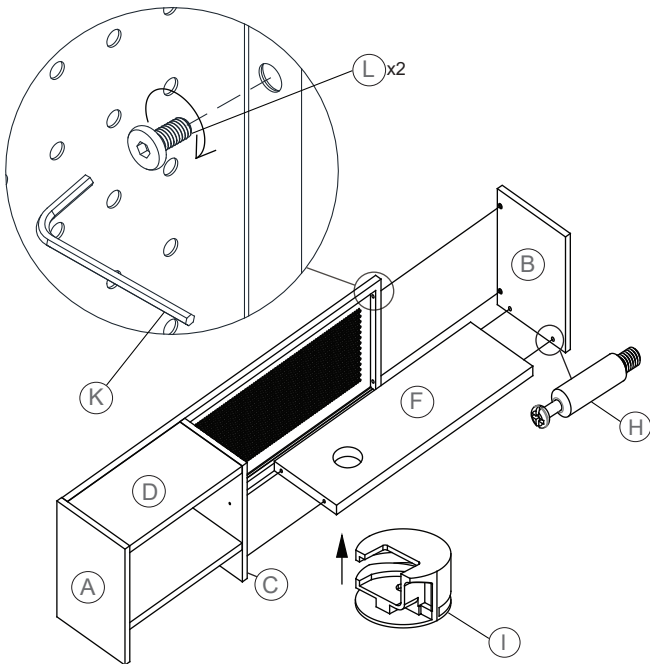
STEP 3



STEP 4



STEP 5



STEP 6

