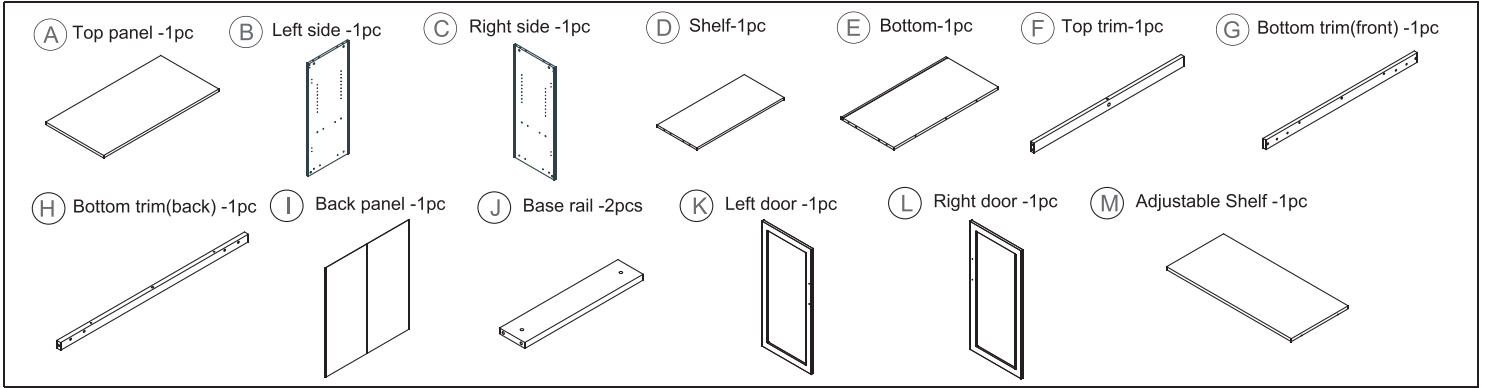




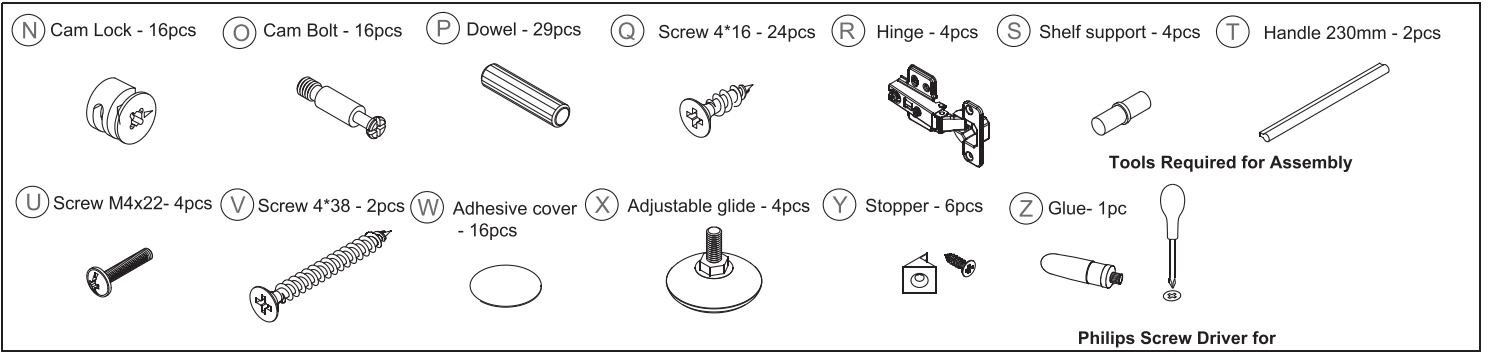
# At Work- Wall Storage Cabinet w/frosted Glass Doors

## Assembly Instructions

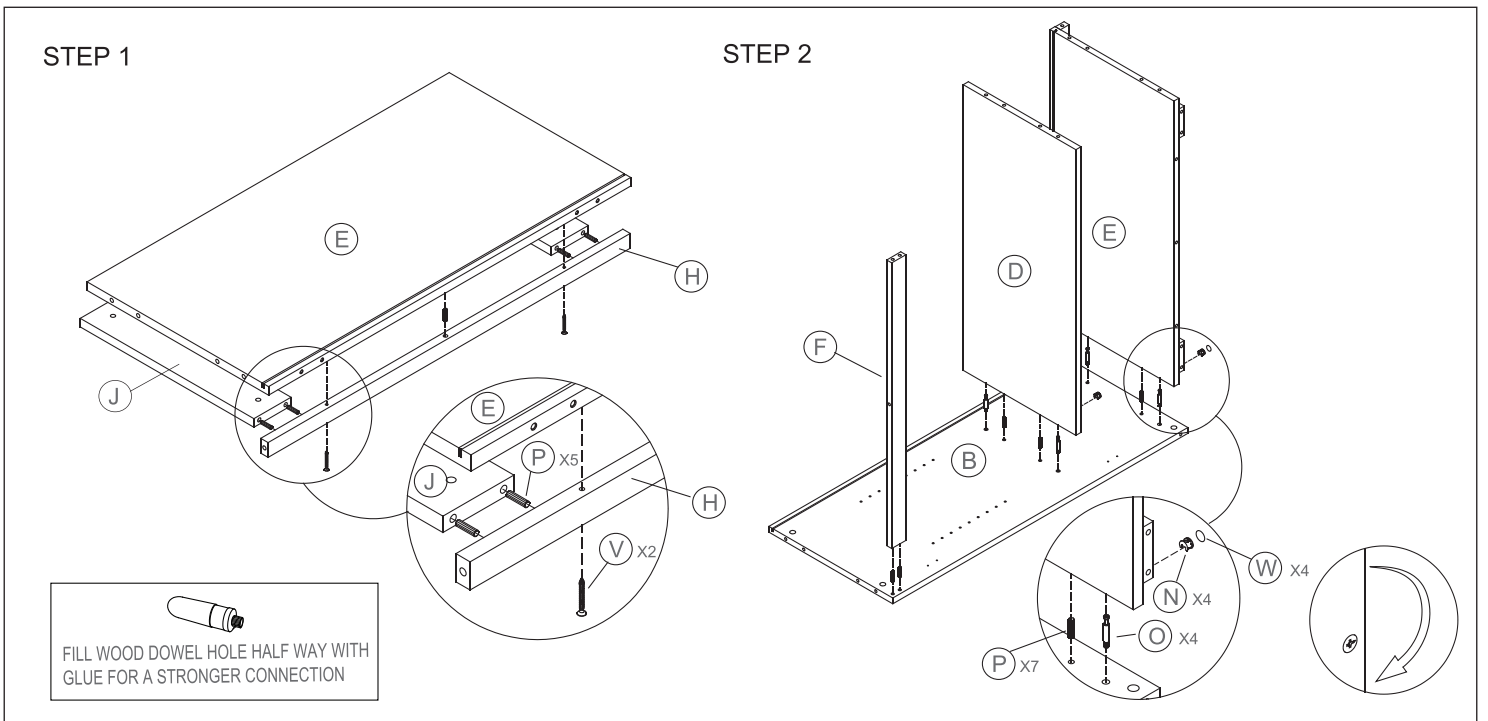
### COMPONENTS



### HARDWARE & TOOLS



### INSTRUCTIONS

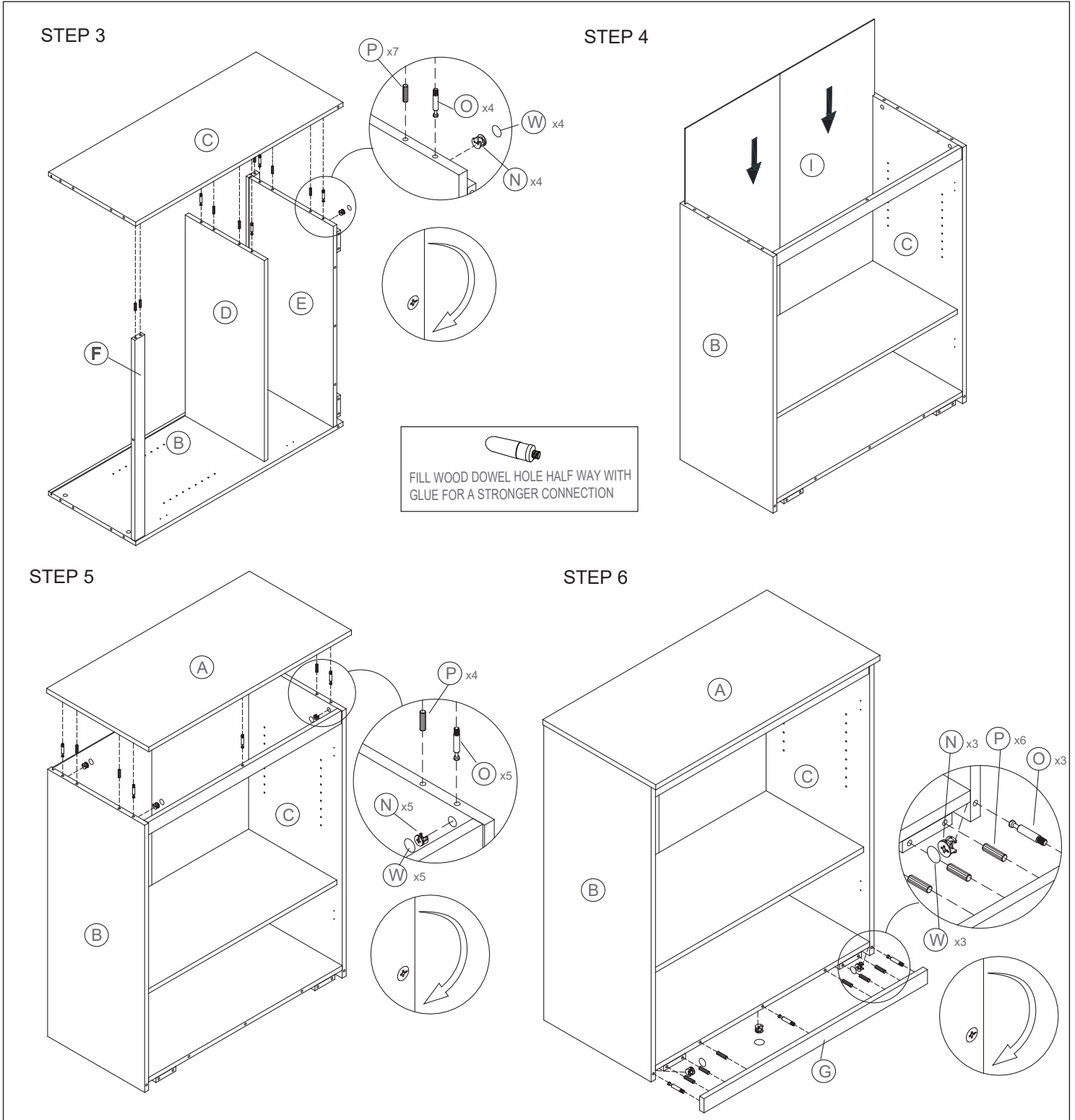




# At Work- Wall Storage Cabinet w/frosted Glass Doors

Assembly Instructions

## INSTRUCTIONS

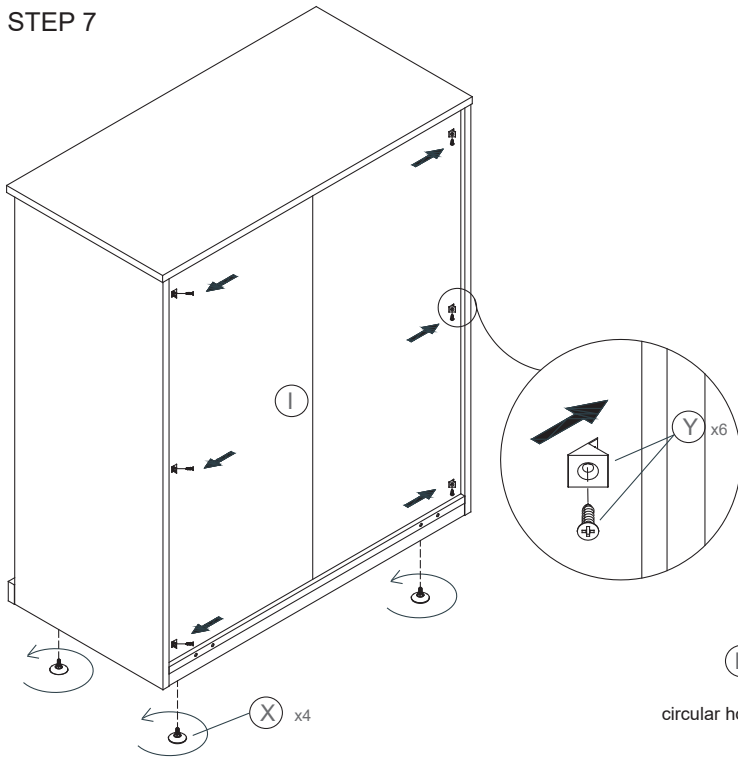




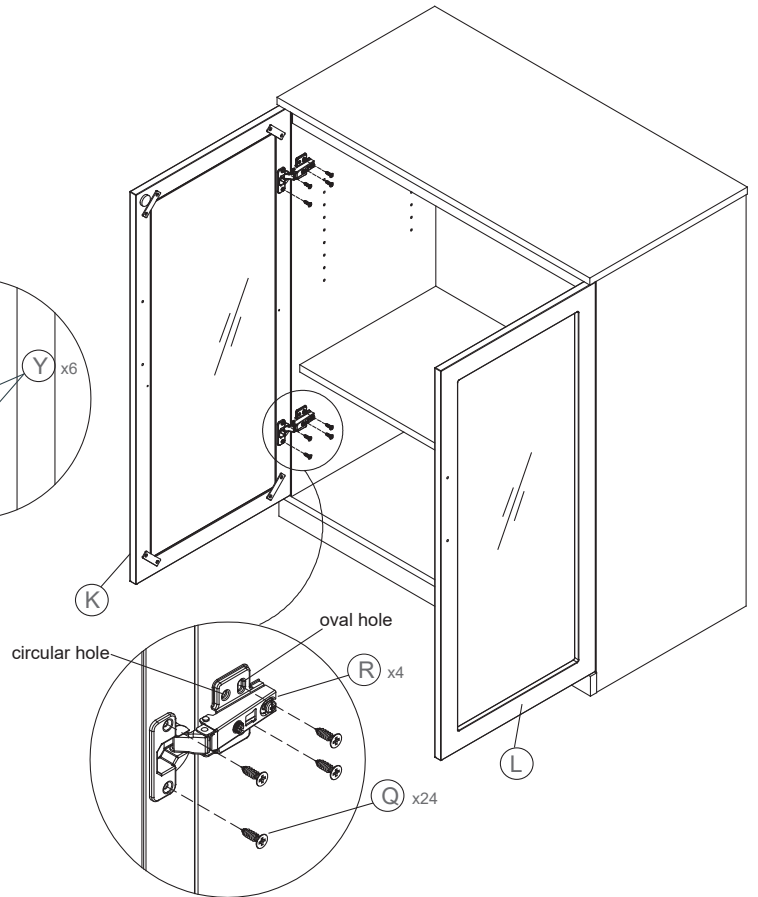
# At Work- Wall Storage Cabinet w/frosted Glass Doors Assembly Instructions

## INSTRUCTIONS

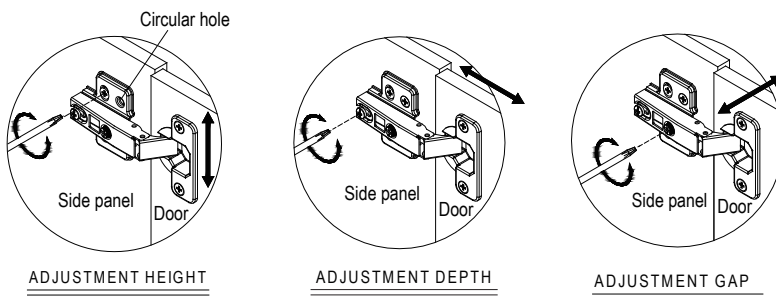
STEP 7



STEP 8



STEP 9



When adjustment height is OK,  
Then use screw Q to fix the hinge  
in the circular hole

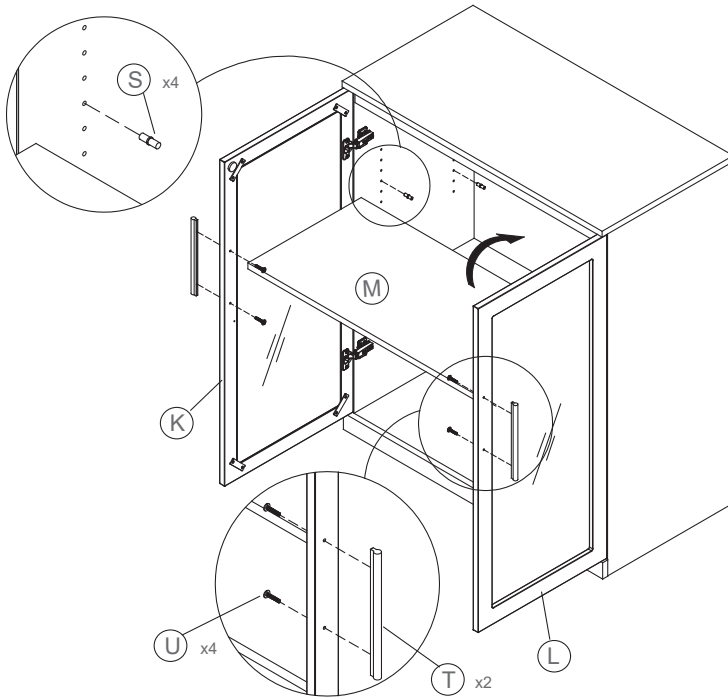


# At Work- Wall Storage Cabinet w/frosted Glass Doors

Assembly Instructions

## INSTRUCTIONS

### STEP 10



### COMPLETED

