



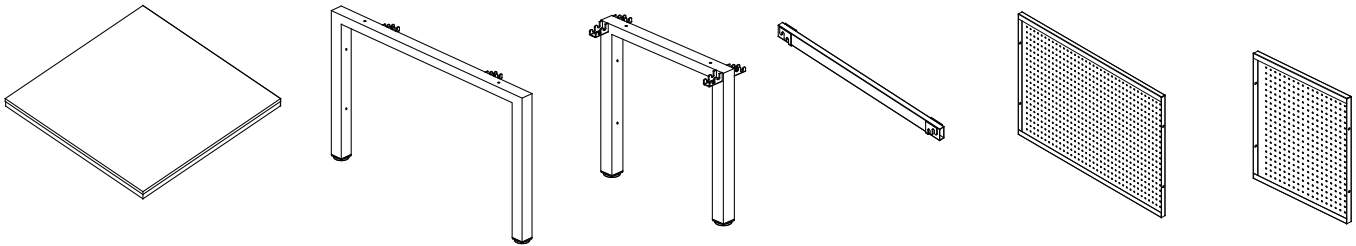
At Work- Extendable Conference Table

Assembly Instructions

COMPONENTS

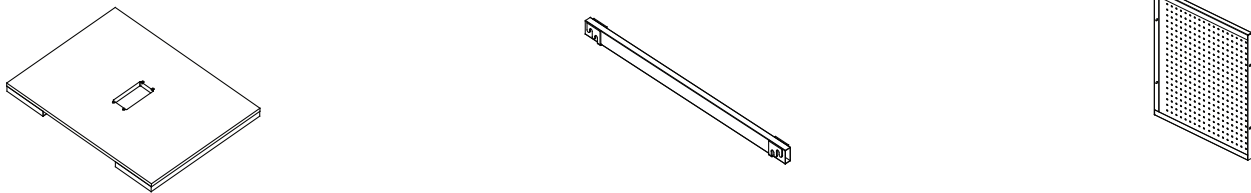
Starter Unit (AW-CFSU-H4830)

- (A) Desk Top -1pc
- (B) Side frame(1) -1pc
- (C) Side frame(2) -1pc
- (D) Rail -2pcs
- (E) Side Panel(1)- 1pc
- (F) Side Panel(2)- 1pc

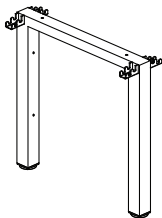


Center Add-on Unit (AW-CFAU-H3630/AW-CFAU-H4830)

- (G) Desk Top -1pc (For AW-CFAU-H3630)
- (H) Rail -2pcs (For AW-CFAU-H3630)
- (F) Side Panel(2)- 1pc
- (I) Desk Top -1pc (For AW-CFAU-H4830)
- (J) Rail -2pcs (For AW-CFAU-H4830)



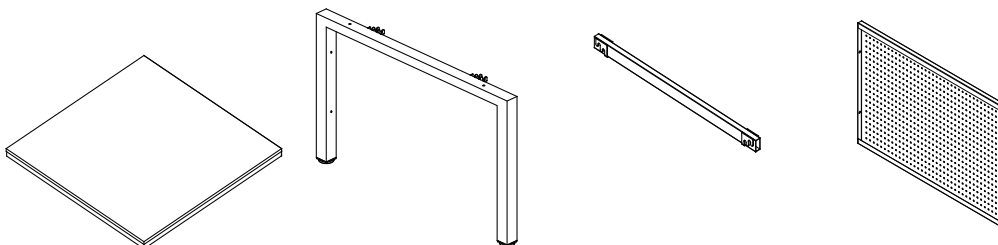
- (C) Side frame(2) -1pc



NOTE:Center Add-on unit parts are only used on tables larger than 8'.

End Unit (AW-CFEU-H4830)

- (K) Desk Top -1pc
- (B) Side frame(1) -1pc
- (L) Rail -2pcs
- (E) Side Panel(1)- 1pc



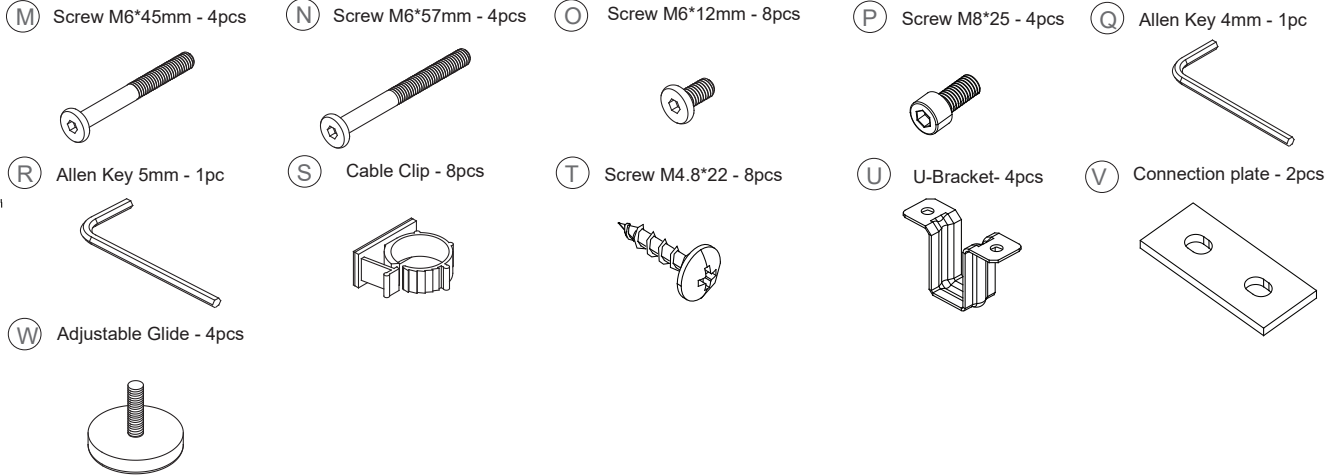


At Work- Extendable Conference Table

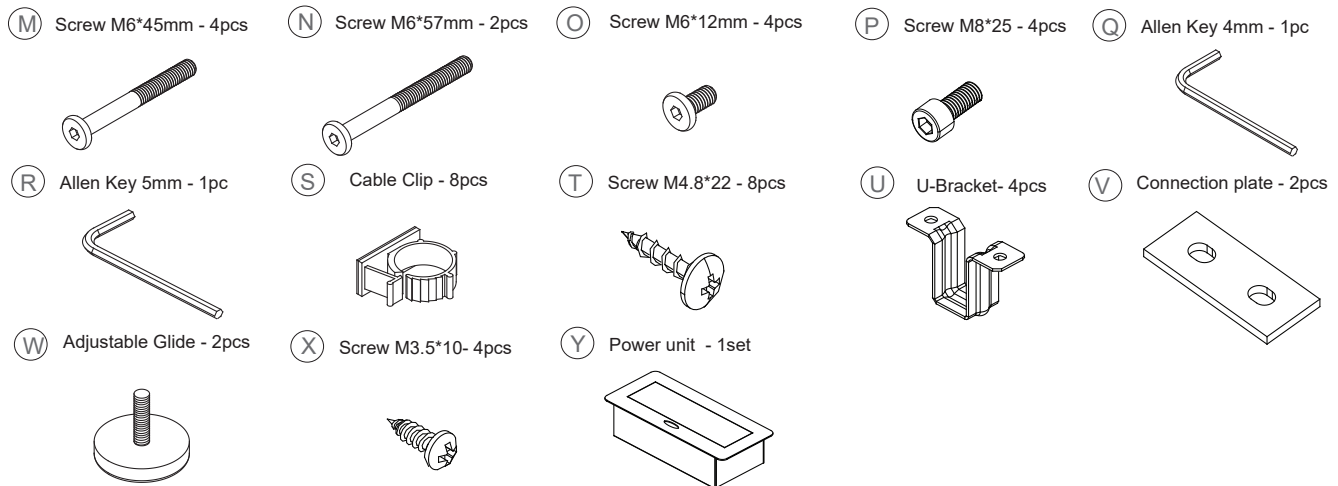
Assembly Instructions

HARDWARE & TOOLS

Starter Unit (AW-CFSU-H4830)

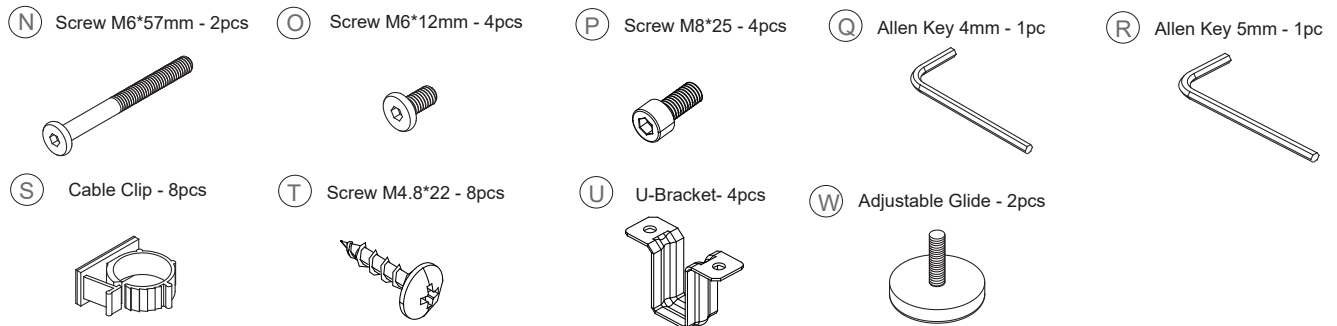
- (M) Screw M6*45mm - 4pcs
 - (N) Screw M6*57mm - 4pcs
 - (O) Screw M6*12mm - 8pcs
 - (P) Screw M8*25 - 4pcs
 - (Q) Allen Key 4mm - 1pc
 - (R) Allen Key 5mm - 1pc
 - (S) Cable Clip - 8pcs
 - (T) Screw M4.8*22 - 8pcs
 - (U) U-Bracket- 4pcs
 - (V) Connection plate - 2pcs
 - (W) Adjustable Glide - 4pcs
- 

Center Add-on Unit (AW-CFAU-H3630/AW-CFAU-H4830)

- (M) Screw M6*45mm - 4pcs
 - (N) Screw M6*57mm - 2pcs
 - (O) Screw M6*12mm - 4pcs
 - (P) Screw M8*25 - 4pcs
 - (Q) Allen Key 4mm - 1pc
 - (R) Allen Key 5mm - 1pc
 - (S) Cable Clip - 8pcs
 - (T) Screw M4.8*22 - 8pcs
 - (U) U-Bracket- 4pcs
 - (V) Connection plate - 2pcs
 - (W) Adjustable Glide - 2pcs
 - (X) Screw M3.5*10- 4pcs
 - (Y) Power unit - 1set
- 

NOTE: Center Add-on unit parts are only used on tables larger than 8'.

End Unit (AW-CFEU-H4830)

- (N) Screw M6*57mm - 2pcs
 - (O) Screw M6*12mm - 4pcs
 - (P) Screw M8*25 - 4pcs
 - (Q) Allen Key 4mm - 1pc
 - (R) Allen Key 5mm - 1pc
 - (S) Cable Clip - 8pcs
 - (T) Screw M4.8*22 - 8pcs
 - (U) U-Bracket- 4pcs
 - (W) Adjustable Glide - 2pcs
- 



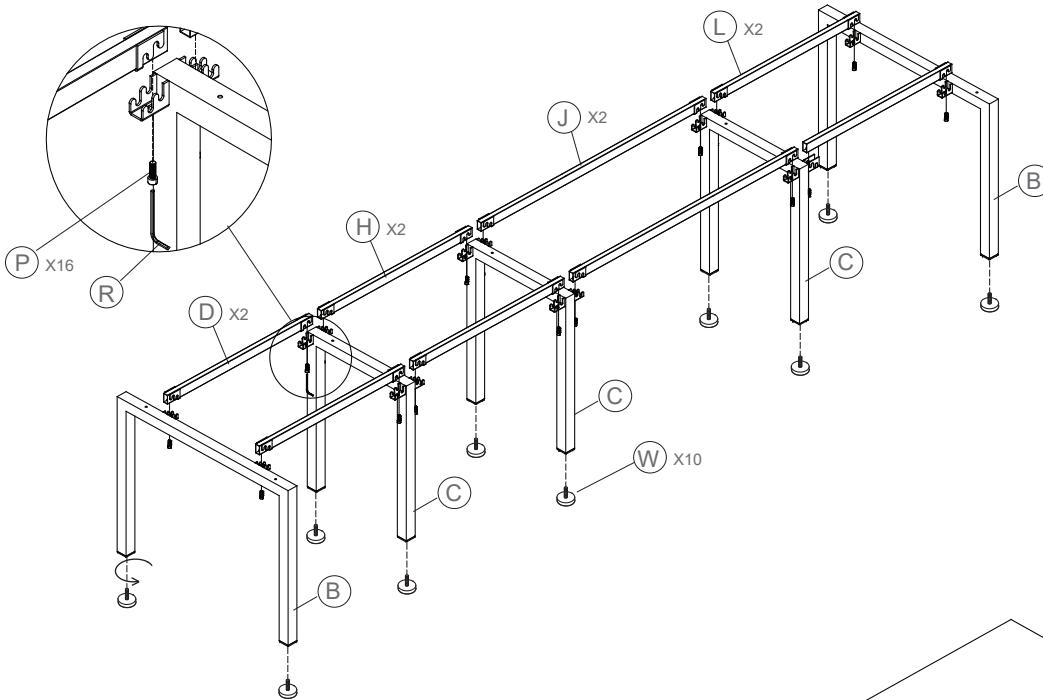
At Work- Extendable Conference Table

Assembly Instructions

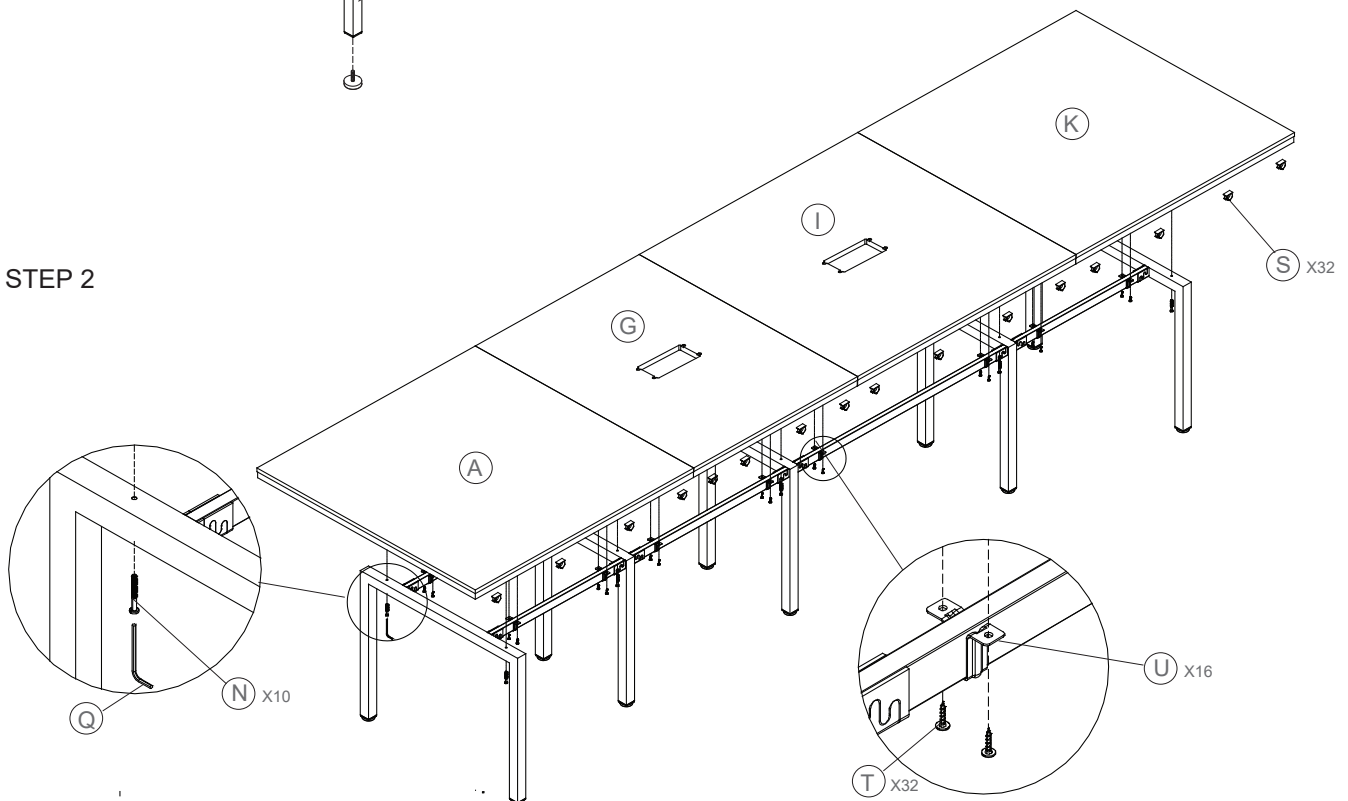
Notice: Do not drag the tables or lift the tables after assembled.

INSTRUCTIONS Please disassemble to move.

STEP 1



STEP 2



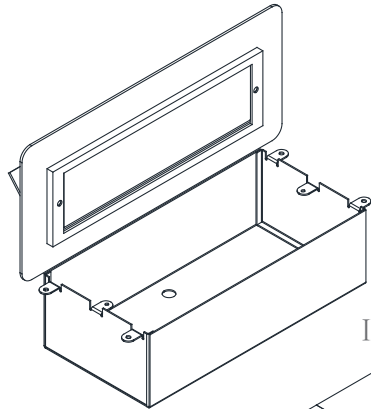
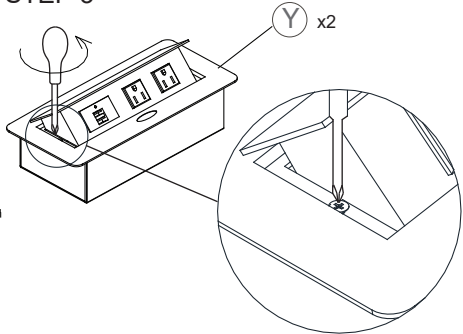


At Work- Extendable Conference Table

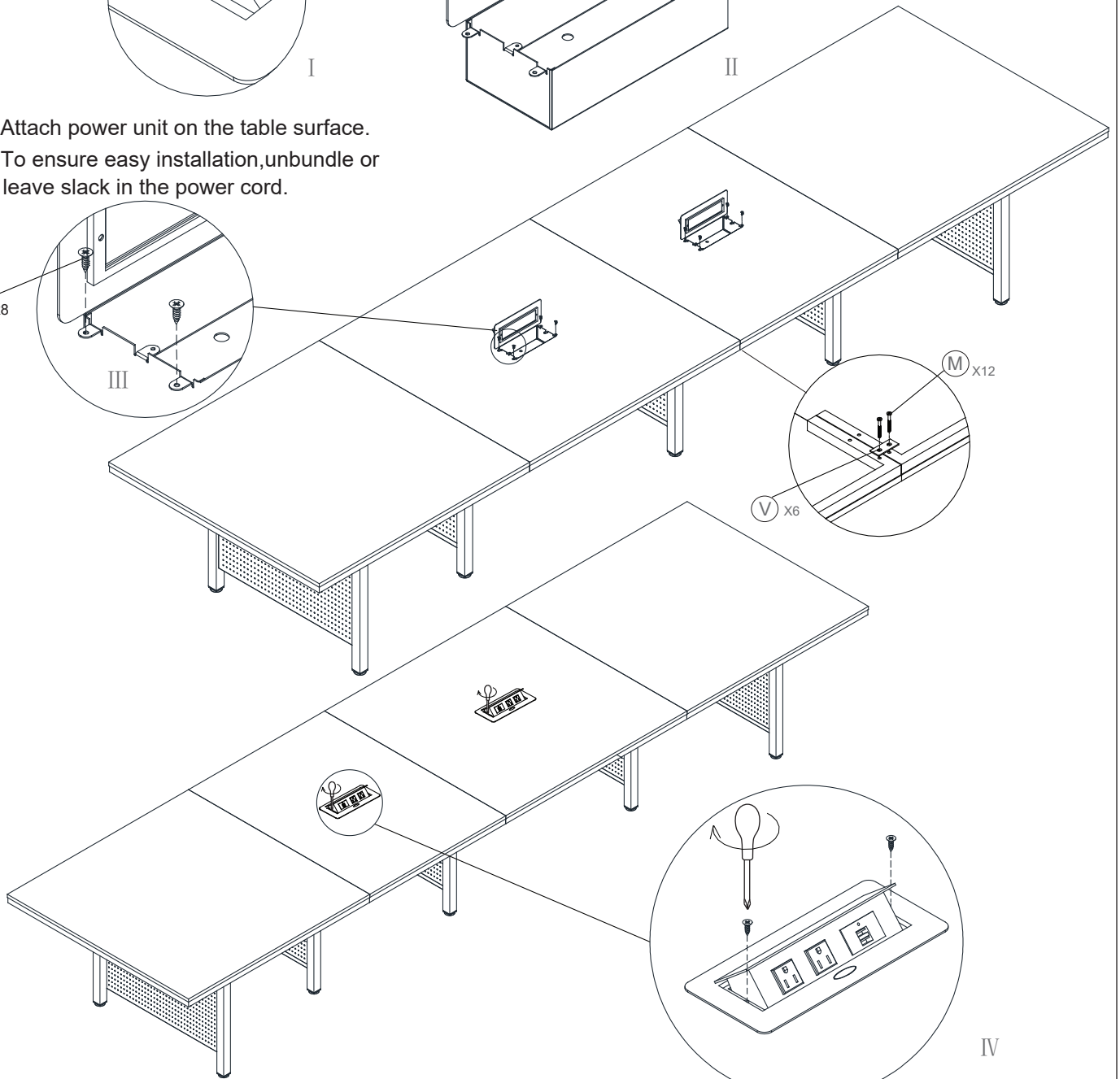
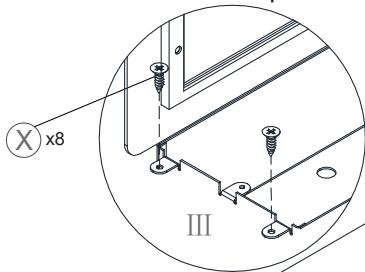
Assembly Instructions

INSTRUCTIONS

STEP 3



Noted: Attach power unit on the table surface.
To ensure easy installation, unbundle or leave slack in the power cord.





At Work- Extendable Conference Table

Assembly Instructions

INSTRUCTIONS

STEP 4

