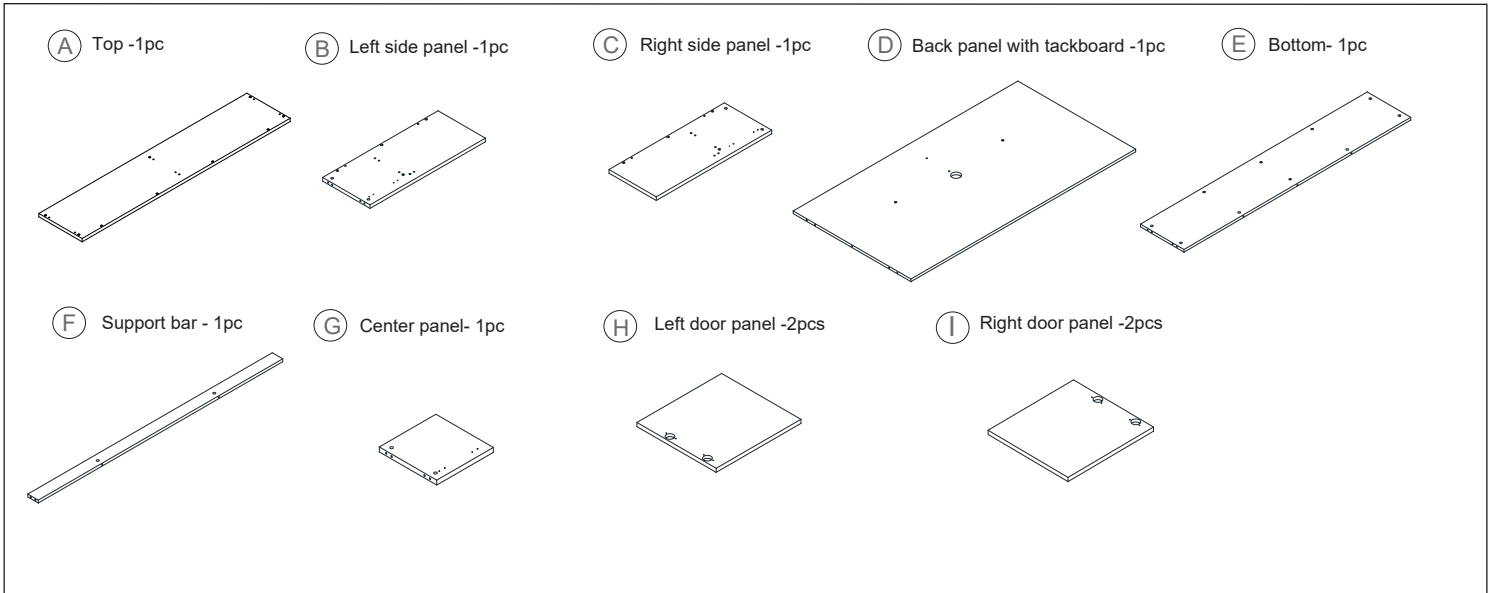




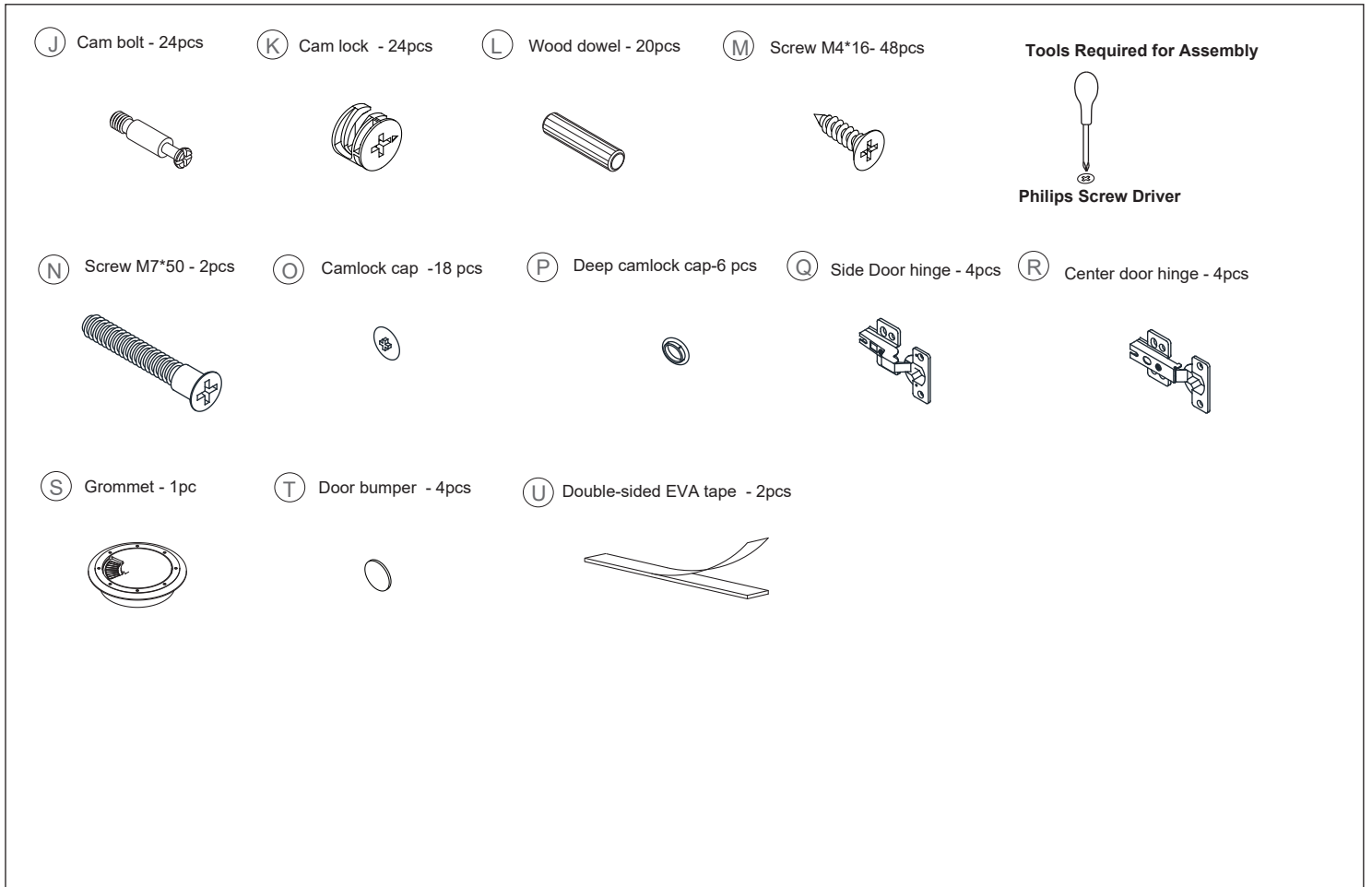
At Work- 71" Hutch with Laminate Doors

Assembly Instructions

COMPONENTS



HARDWARE & TOOLS



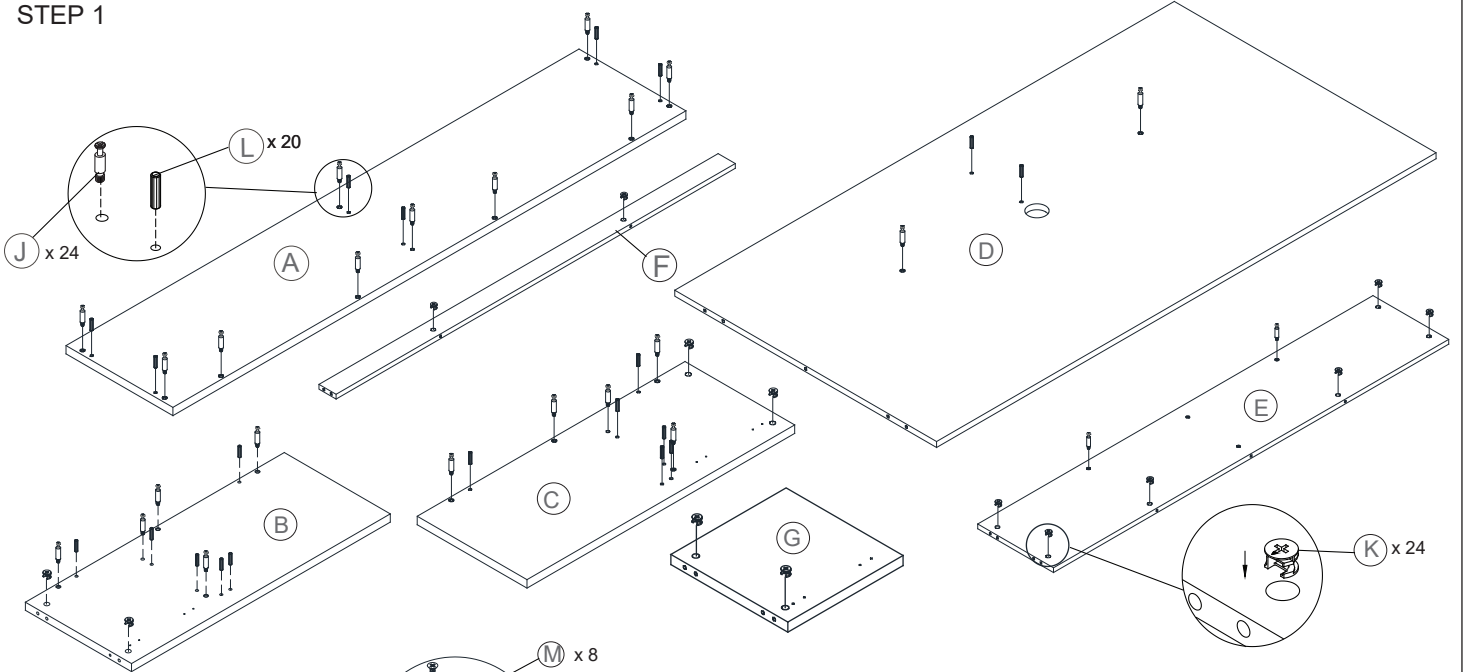


At Work- 71" Hutch with Laminate Doors

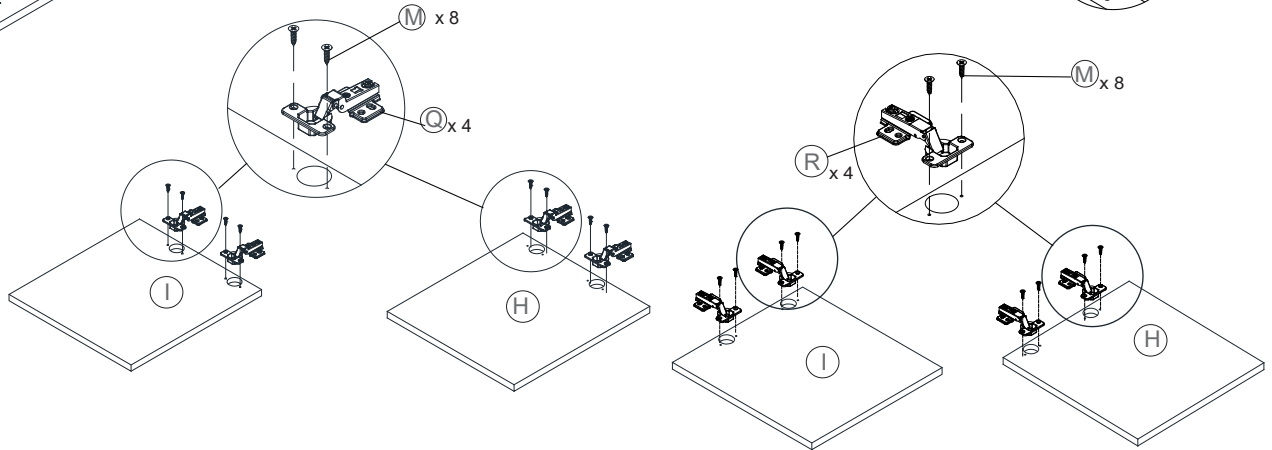
Assembly Instructions

INSTRUCTIONS

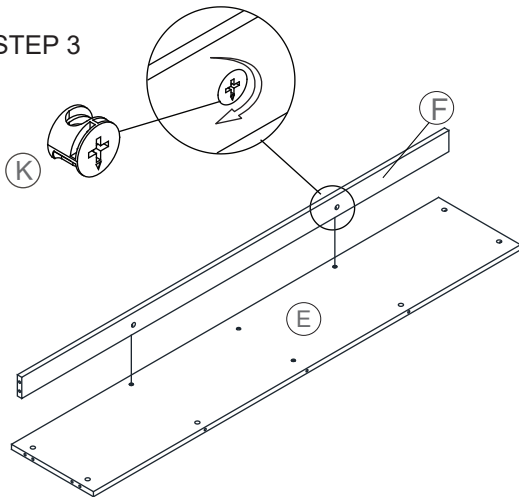
STEP 1



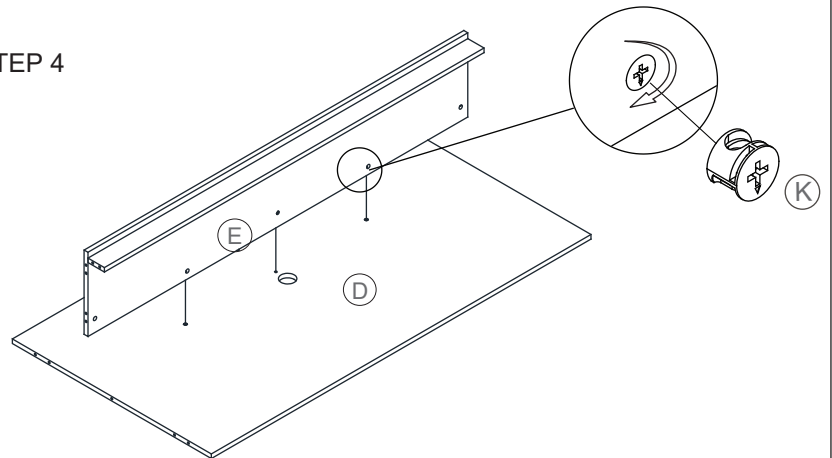
STEP 2



STEP 3



STEP 4

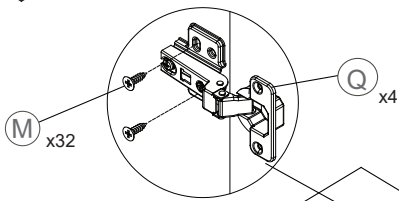
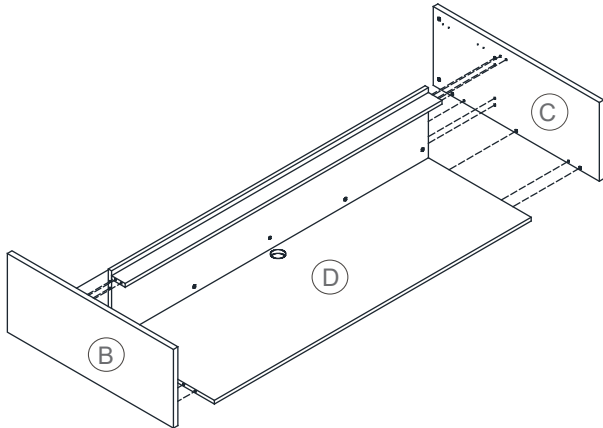




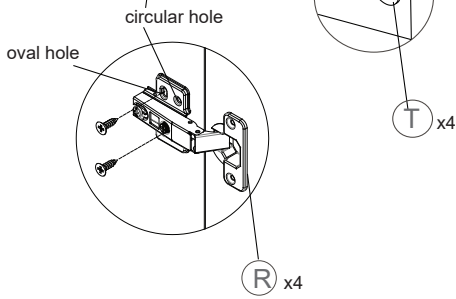
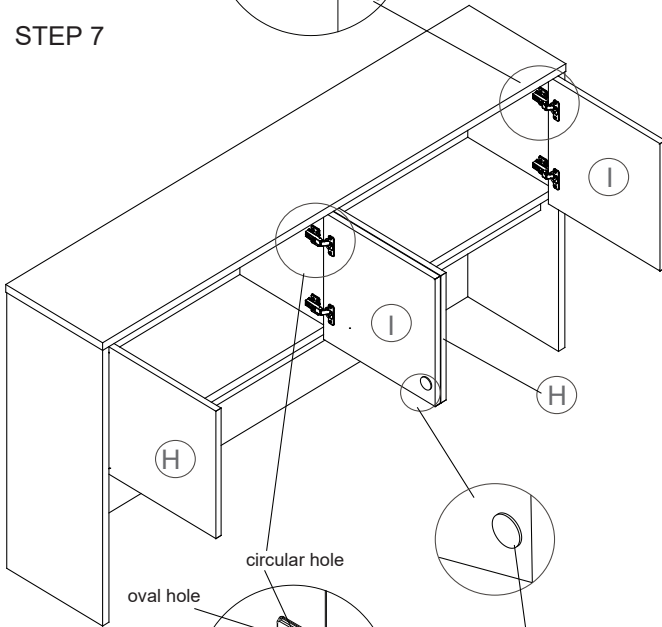
At Work- 71" Hutch with Laminate Doors Assembly Instructions

INSTRUCTIONS

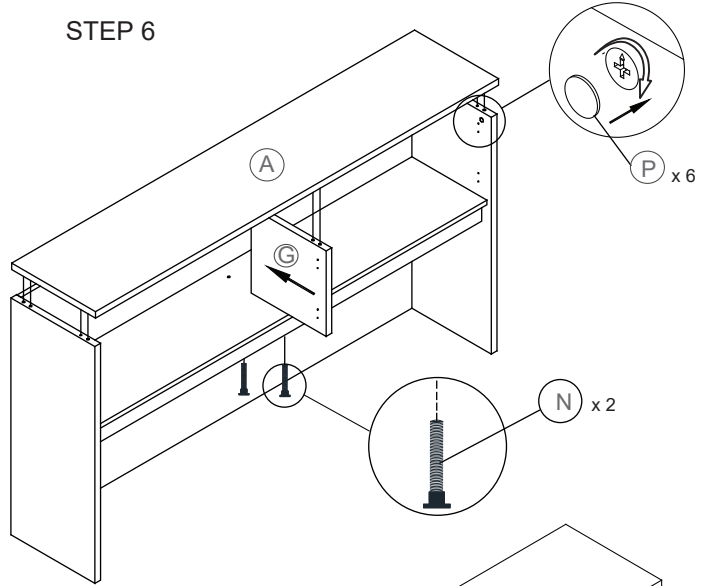
STEP 5



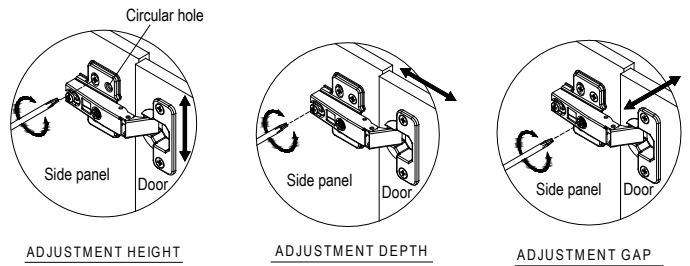
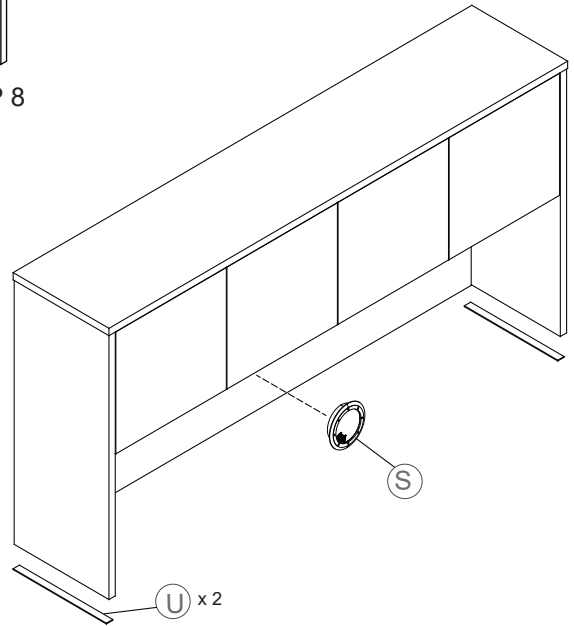
STEP 7



STEP 6



STEP 8



ADJUSTMENT HEIGHT

ADJUSTMENT DEPTH

ADJUSTMENT GAP

Once height adjustment is complete, insert screw (M) into the circular hole to attach the hinge.