







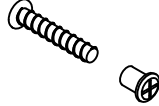




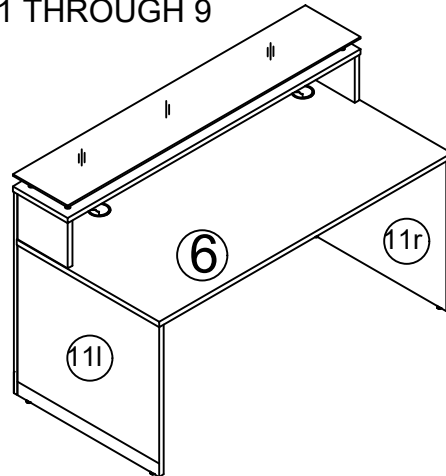


Assembly HARDWARE					
S/N	PICTURE	NAME	TOTAL QTY		REMARK
A		CAM SCREW	26+1(SPARE)		
B		KLIX CAM	26+1(SPARE)		
C		CAM COVER STICKER	26+1(SPARE)		use cam covers to cover any klix cam
D		WOOD DOWEL	23PCS		
E	 E1  E2	CONNECTOR BRACKET Ø6X12 SCREWS	4PCS		Use to connect to another desk.
F	 F1  F2	GLASS SPACERS SCREWS	6PCS		
G		CONNECTOR SCREW	4PCS		Use to connect to another desk
H		GROMMET	2PCS		
I		LEVELER	4PCS		

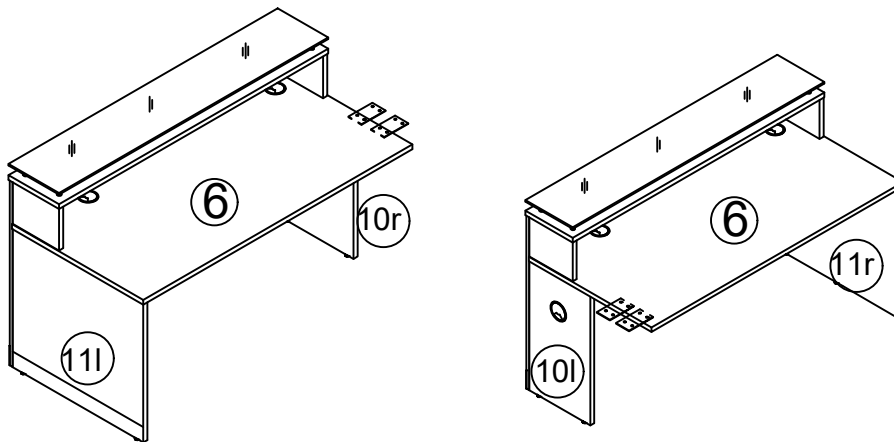


IMPORTANT: THERE ARE THREE OPTIONS FOR THIS STRAIGHT DESK AS SHOWN BELOW. PLEASE DECIDE WHICH ONE YOU NEED BEFORE BEGINNING ASSEMBLY.

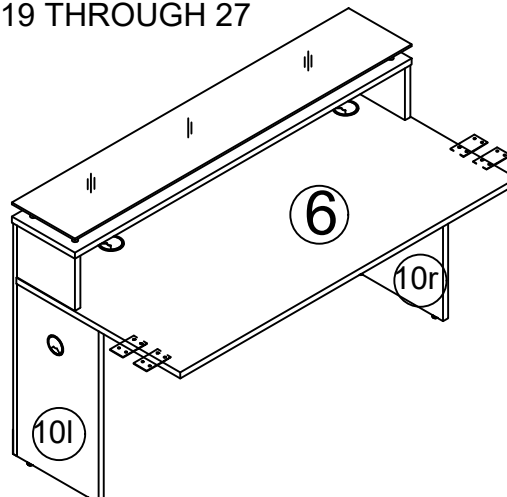
**OPTION 1** WHEN CREATING A STAND ALONE DESK:  
SEE STEPS 1 THROUGH 9



**OPTION 2** WHEN ATTACHING TO ANOTHER DESK TO CREATE AN END:  
SEE STEPS 10 THROUGH 18



**OPTION 3** WHEN ADDING IN THE MIDDLE OF TWO DESKS:  
SEE STEPS 19 THROUGH 27

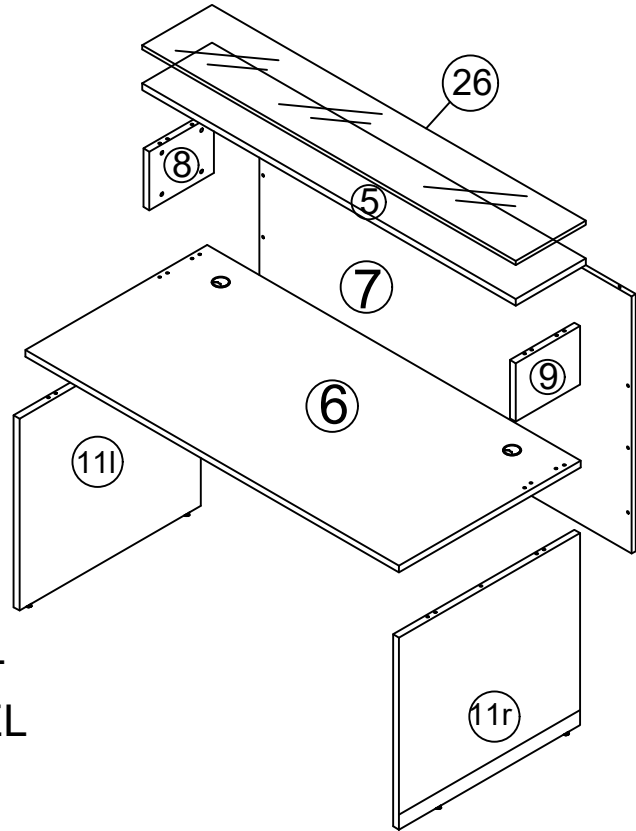




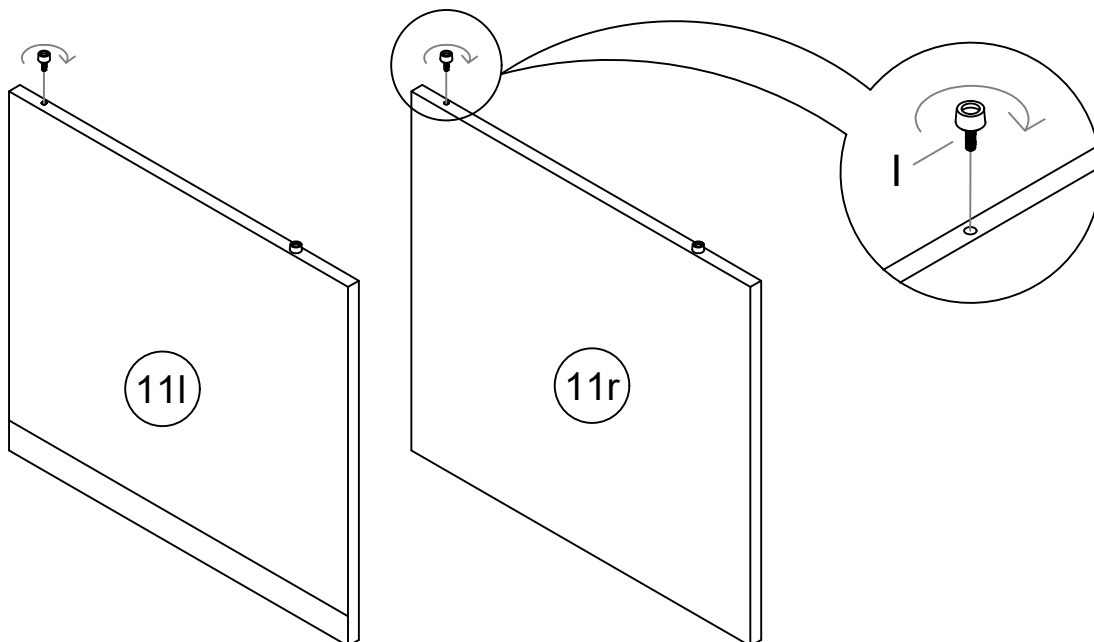
OPTION 1: FOLLOW STEPS 1 THROUGH 9 TO CREATE STAND ALONE DESK.

# PARTS LIST

- ⑤ COUNTER TOP
- ⑥ DESK TOP
- ⑦ BACK
- ⑧ ⑨ COUNTER SUPPORTS
- ⑪① LEFT LARGE SIDE PANEL
- ⑪①r RIGHT LARGE SIDE PANEL
- ⑳ GLASS COUNTER TOP



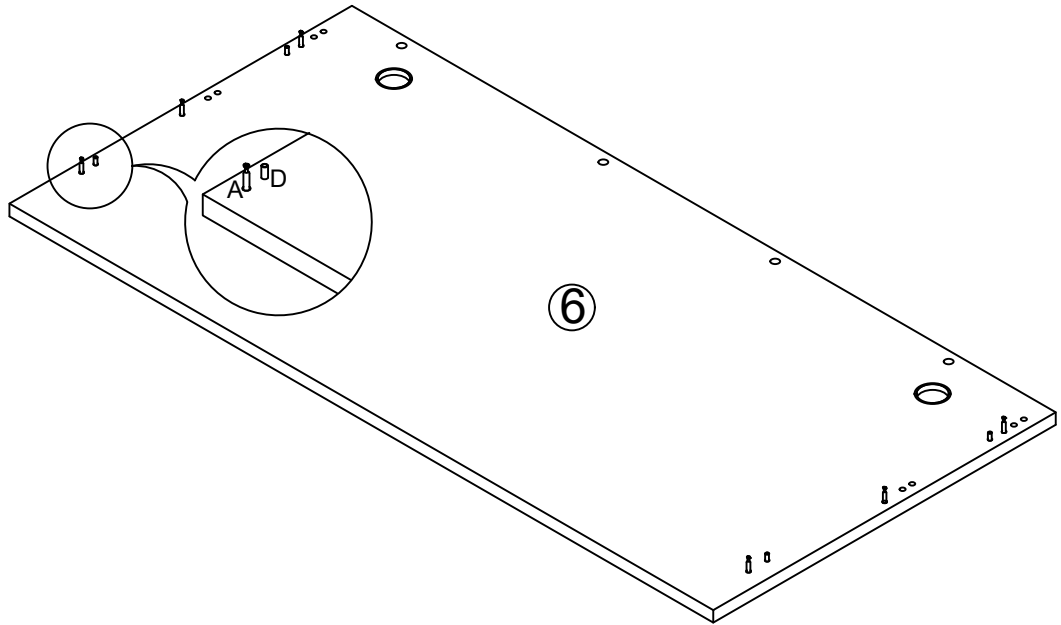
1. INSTALL THE "I" LEVELERS ON THE BOTTOM OF ⑪① AND ⑪①r SIDE PANELS. (4x)





2. INSTALL "A" CAM SCREWS & "D" WOOD DOWELS TO THE UNDERSIDE OF DESK TOP ⑥.

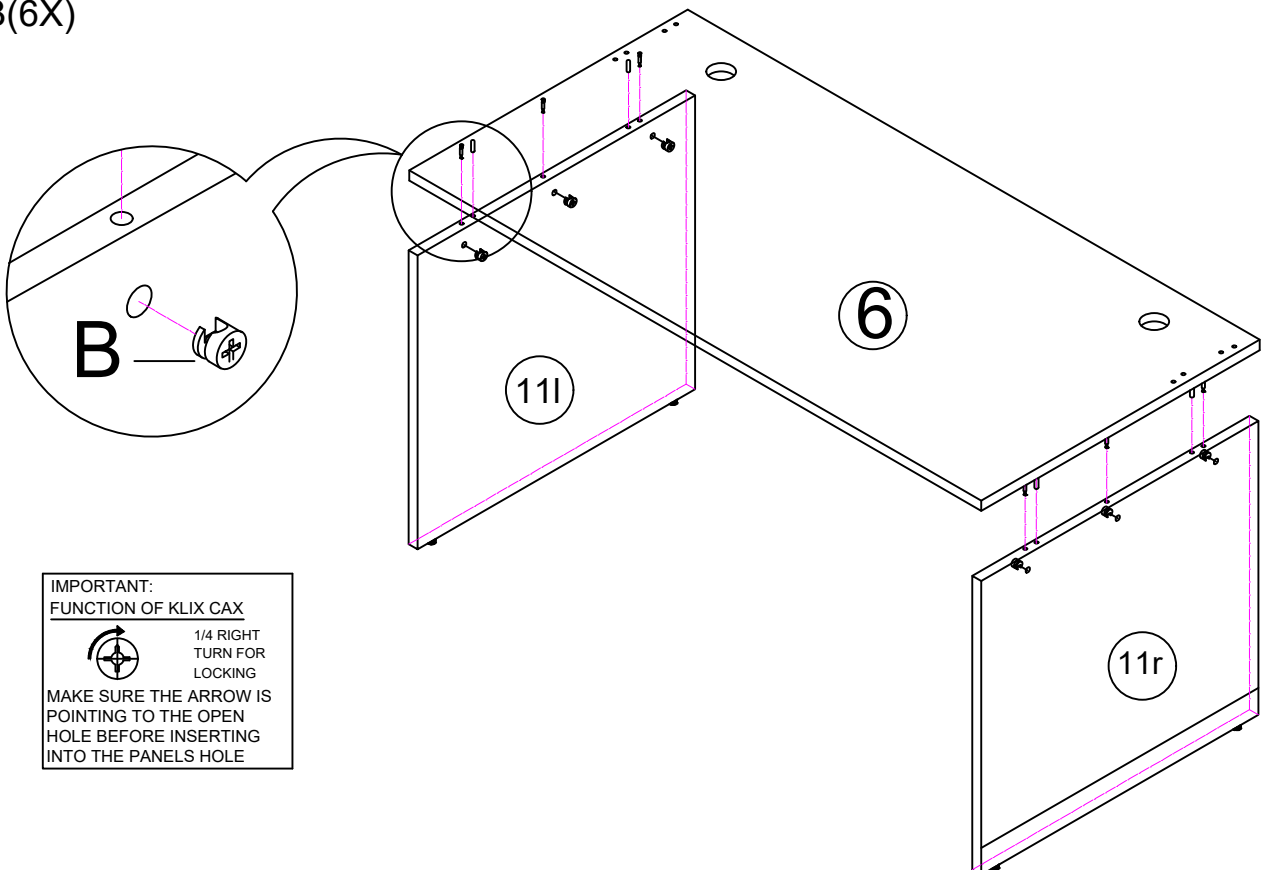
A(6x)  
D(4X)




Note: As the desktop needs to be able to attach to side panels ⑪ and ⑩, there will be some empty holes.

3. INSERT "B" KLIX CAMS TO SIDE PANELS ⑪ AND ⑩, THEN CONNECT TO THE DESK TOP ⑥ USING THE "A" CAM SCREWS AND "D" DOWELS. TIGHTEN.

B(6X)



IMPORTANT:  
FUNCTION OF KLIX CAM



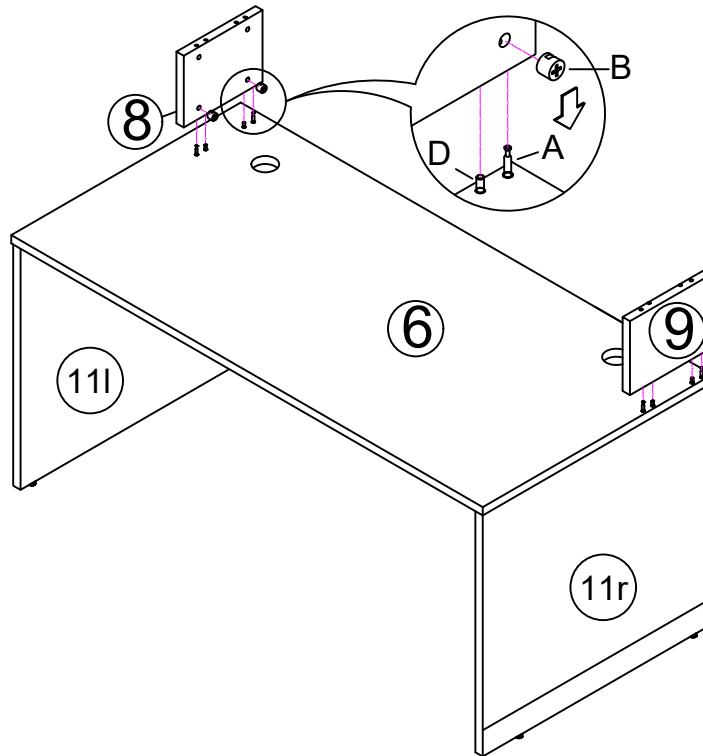
1/4 RIGHT TURN FOR LOCKING

MAKE SURE THE ARROW IS POINTING TO THE OPEN HOLE BEFORE INSERTING INTO THE PANELS HOLE



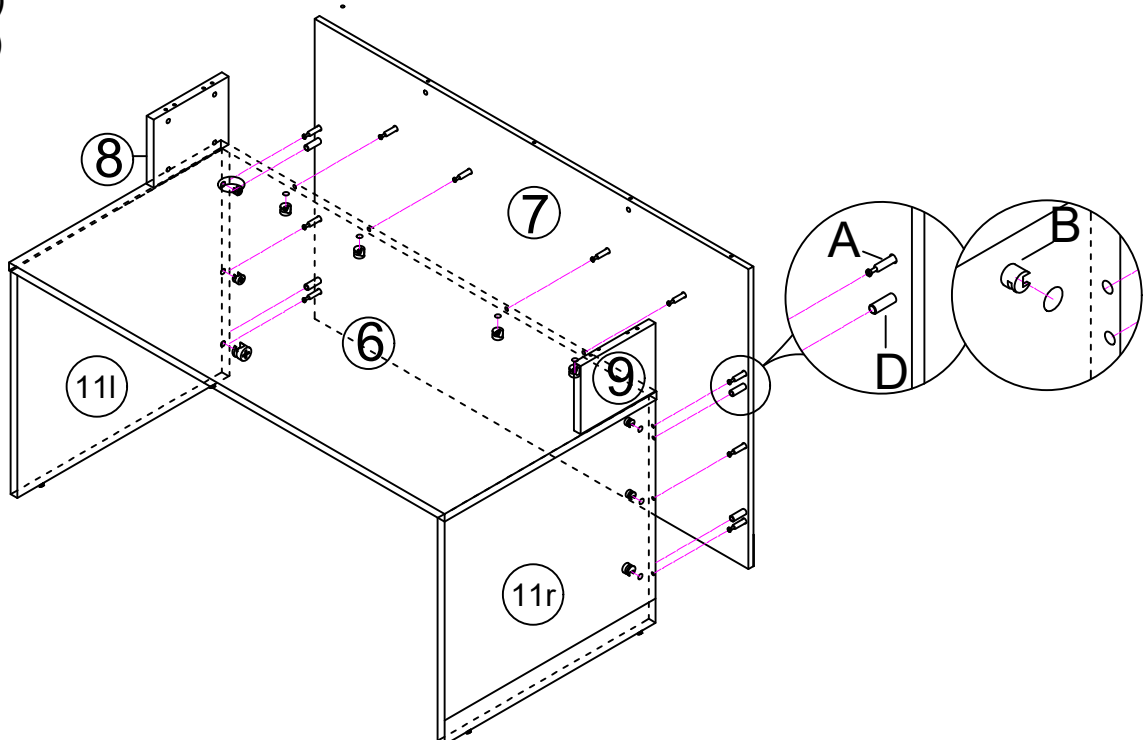
4. INSTALL "A" CAM SCREWS AND "D" DOWELS ON DESK TOP ⑥, INSTALL "B" KLIX CAMS ON SUPPORTS ⑧ & ⑨, THEN CONNECT SUPPORTS ⑧ & ⑨ TO TOP ⑥ USING "B" KLIX CAMS. TIGHTEN.

A(4x)  
B(4x)  
D(4x)



5. INSTALL "A" CAM SCREWS AND "D" DOWELS TO BACK ⑦. INSTALL "B" KLIX CAMS TO PANELS ⑪l & ⑪r & ⑥. CONNECT ⑦ TO ⑪l AND ⑪r & ⑥ USING INSTALLED "A" CAM SCREWS, "D" DOWELS & "B" KLIX CAMS. TIGHTEN.

A(10x)  
B(10x)  
D(4x)



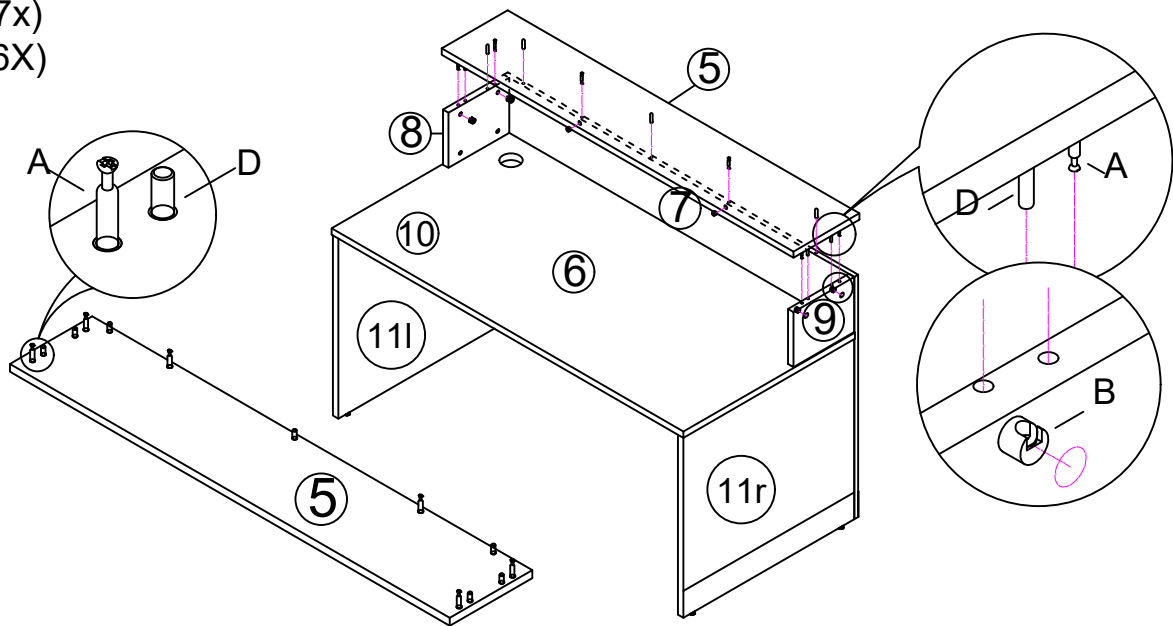


6. INSTALL "A" CAM SCREWS & "D" WOOD DOWELS ON THE UNDERSIDE OF COUNTER TOP (5), THEN INSTALL "B" KLIX CAMS ON PANELS (7) (8) & (9), CONNECT COUNTER (5) ON TOP OF (8) (9) & (7). TIGHTEN.

A(6x)

D(7x)

B(6X)

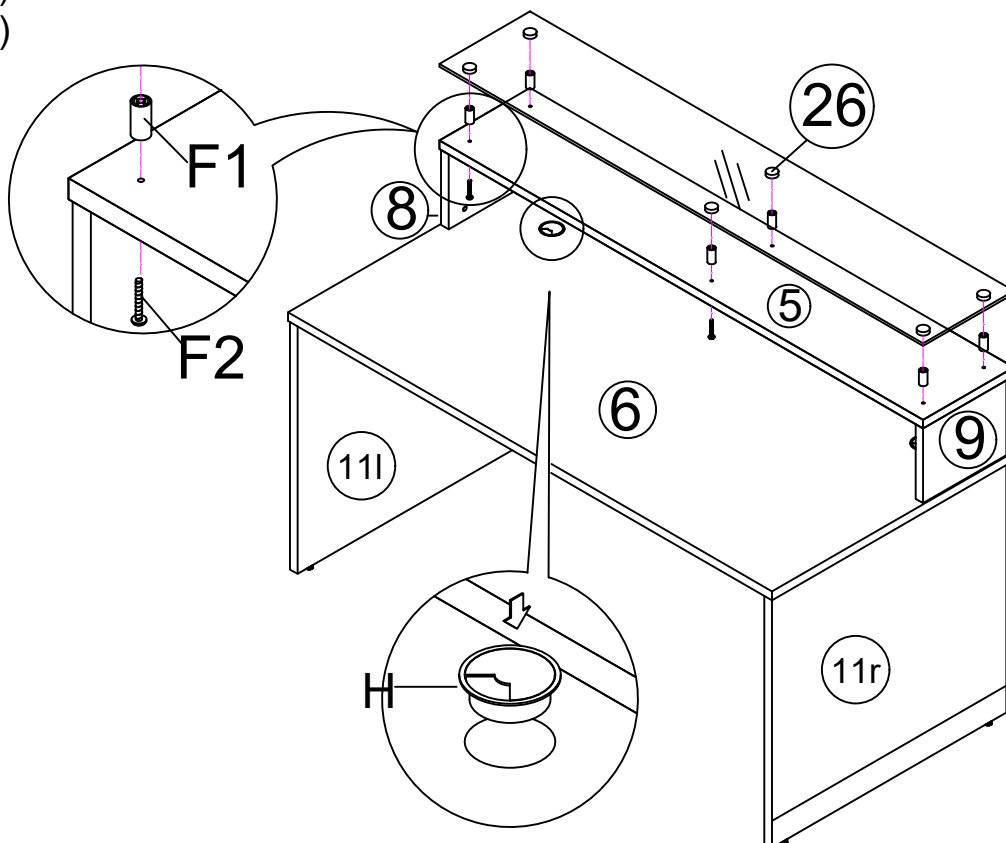


7. INSTALL THE GLASS COUNTER TOP (26) USING "F1" GLASS SPACERS AND "F2" SCREWS. INSTALL "H" GROMMETS ON TOP (6).

F1(6x)

F2(6x)

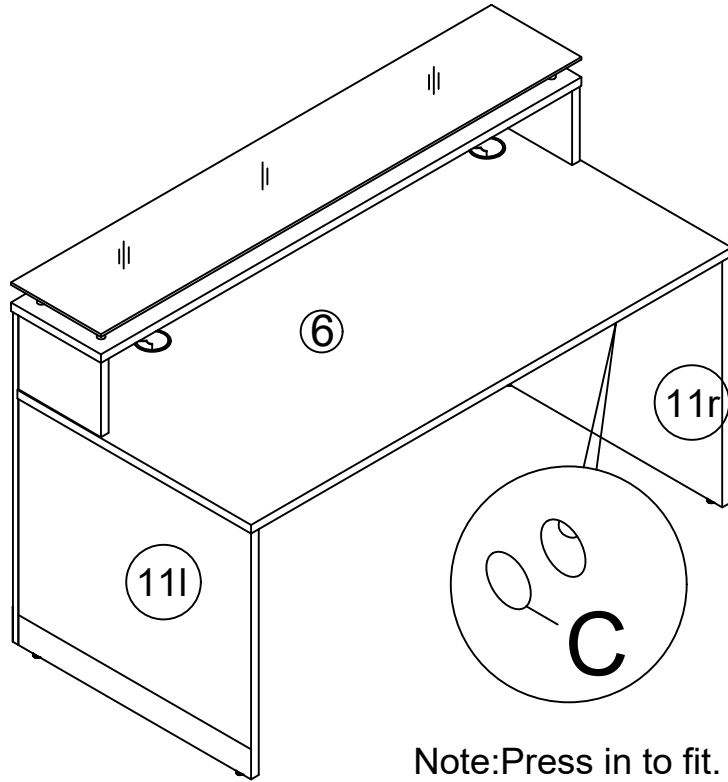
H(2x)



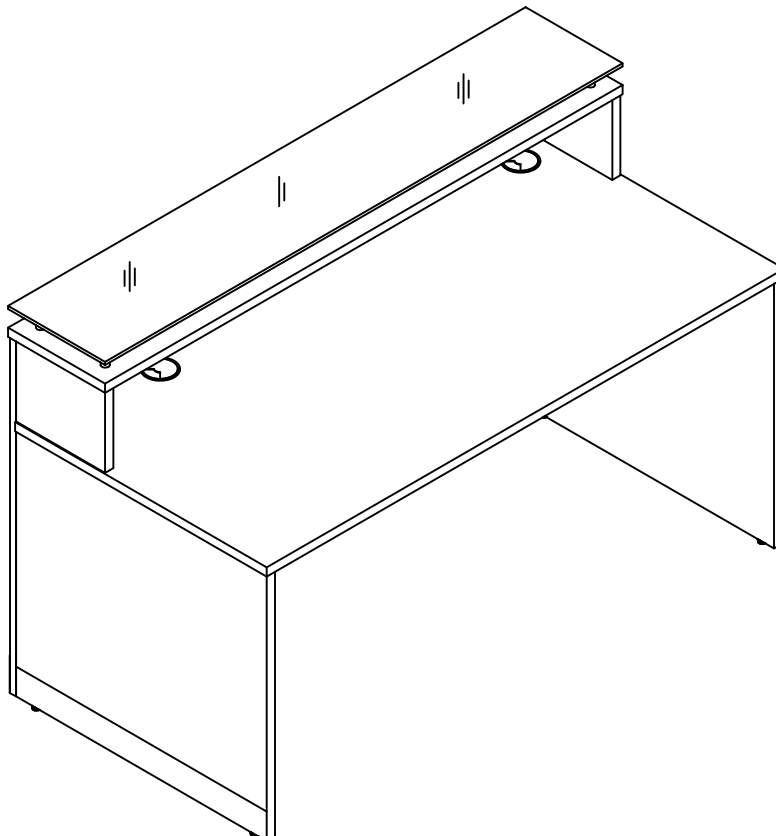


8. INSTALL "C" CAM COVER STICKERS TO COVER ALL EXPOSED KLIX CAMS .

C(26x)



9. COMPLETE(STAND ALONE DESK)



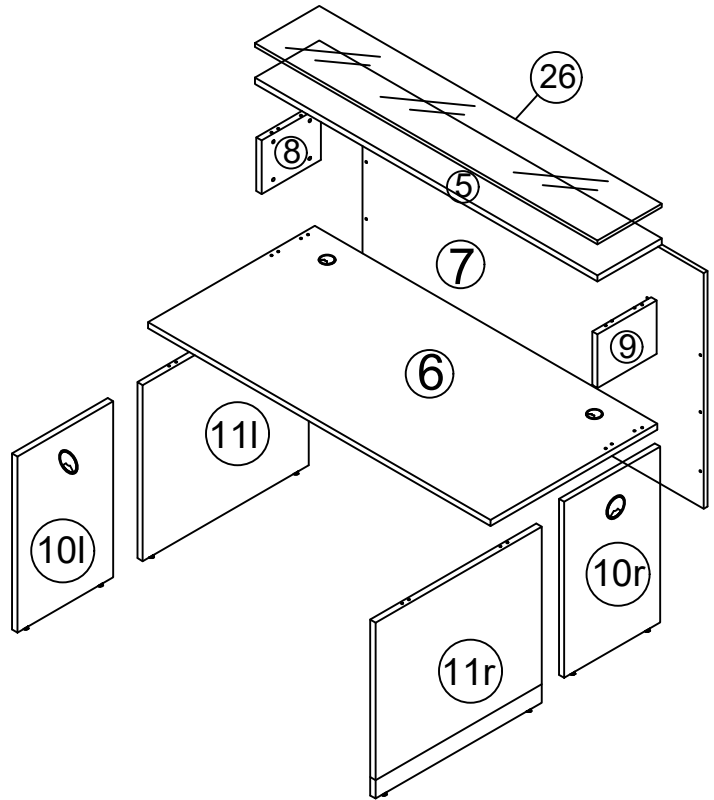


OPTION 2:

FOLLOW STEPS 10 THROUGH 18 TO CREATE DESK TO ATTACH TO AN END OF ANOTHER DESK.

PARTS LIST

- ⑤ COUNTER TOP
- ⑥ DESK TOP
- ⑦ BACK
- ⑧ ⑨ COUNTER SUPPORTS
- ⑩l ⑩r SMALL SIDE PANEL
- ⑪l ⑪r LARGE SIDE PANEL
- ⑫ GLASS COUNTER TOP

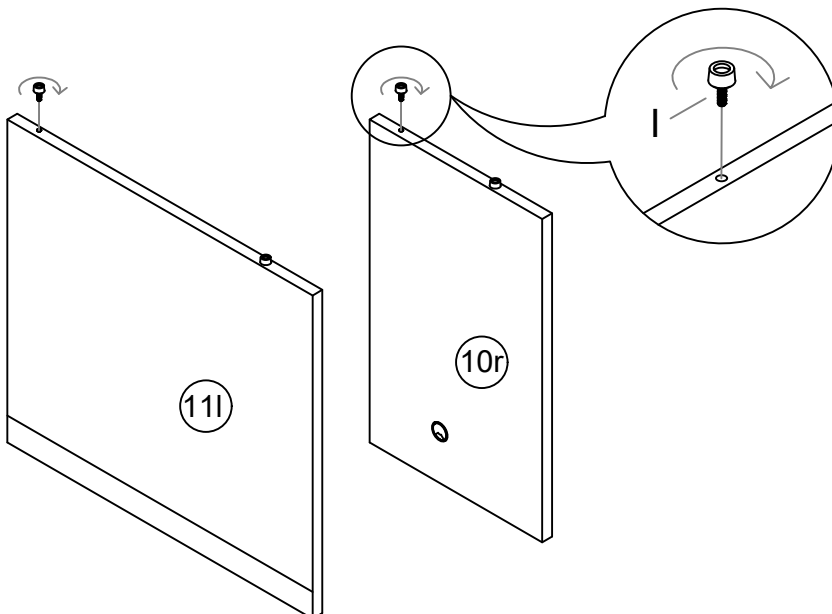


Notes:

Use 1 large side panel (11l) and 1 small side panel (10r) as the drawing show above when attaching to the left side of another desk.

If Attaching to the right side of another desk, use (10l) and (11r).

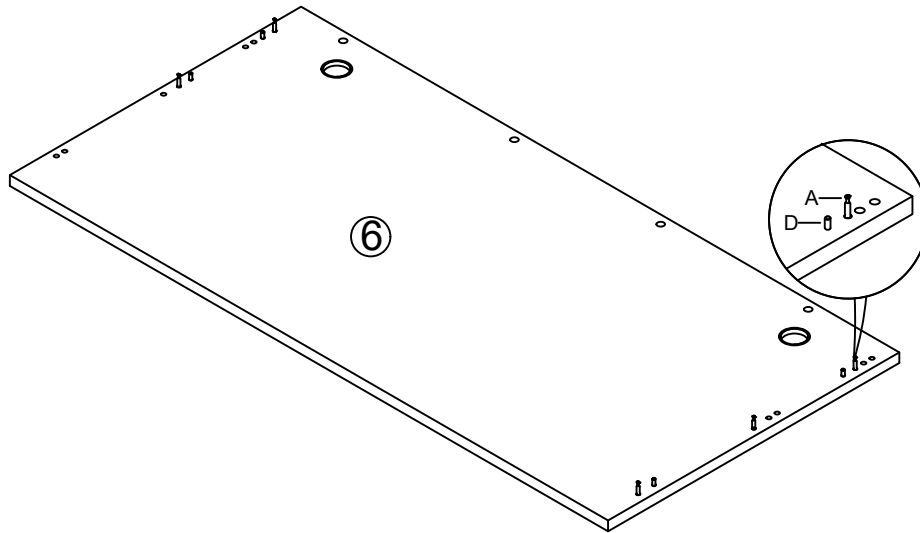
10. INSTALL THE "I" LEVELERS ON THE BOTTOM OF (11l) & (10r) SIDE PANELS. 1(4x)





11. INSTALL "A" CAM SCREWS & "D" WOOD DOWELS TO THE UNDERSIDE OF DESK TOP ⑥.

A(5x)  
D(4X)

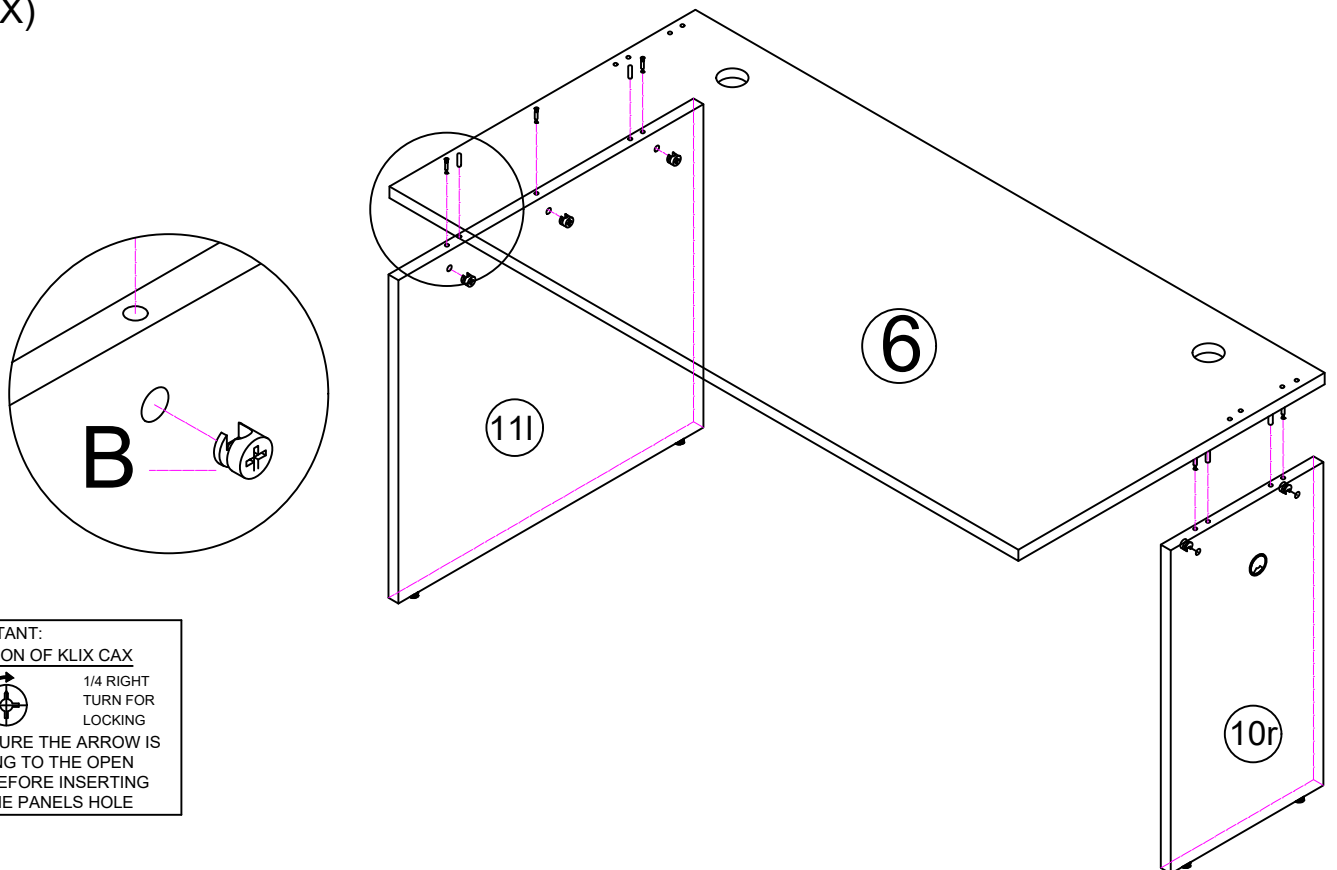


Notes:


- 1.As the desktop needs to be able to attach to side panels ⑪ and ⑩ there will be some empty holes.
- 2.Hardware placement is for Desk end on left side, Switch hardware to opposite sides for right end.

12. INSERT "B" KLIX CAMS TO SIDE PANELS ⑩r & ⑪l, THEN CONNECT TO THE DESK TOP ⑥ USING THE "A" CAM SCREWS AND "D" DOWELS. TIGHTEN.

B(5X)



IMPORTANT:  
FUNCTION OF KLIX CAM



1/4 RIGHT TURN FOR LOCKING

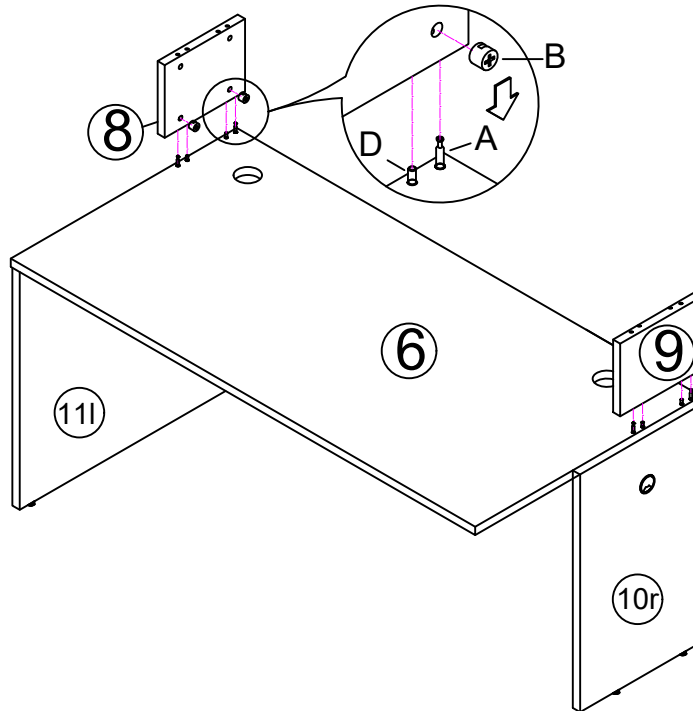
MAKE SURE THE ARROW IS POINTING TO THE OPEN HOLE BEFORE INSERTING INTO THE PANELS HOLE

Note: Setup shown is for desk end on left side, Use ⑪r and ⑩l to create a right end.



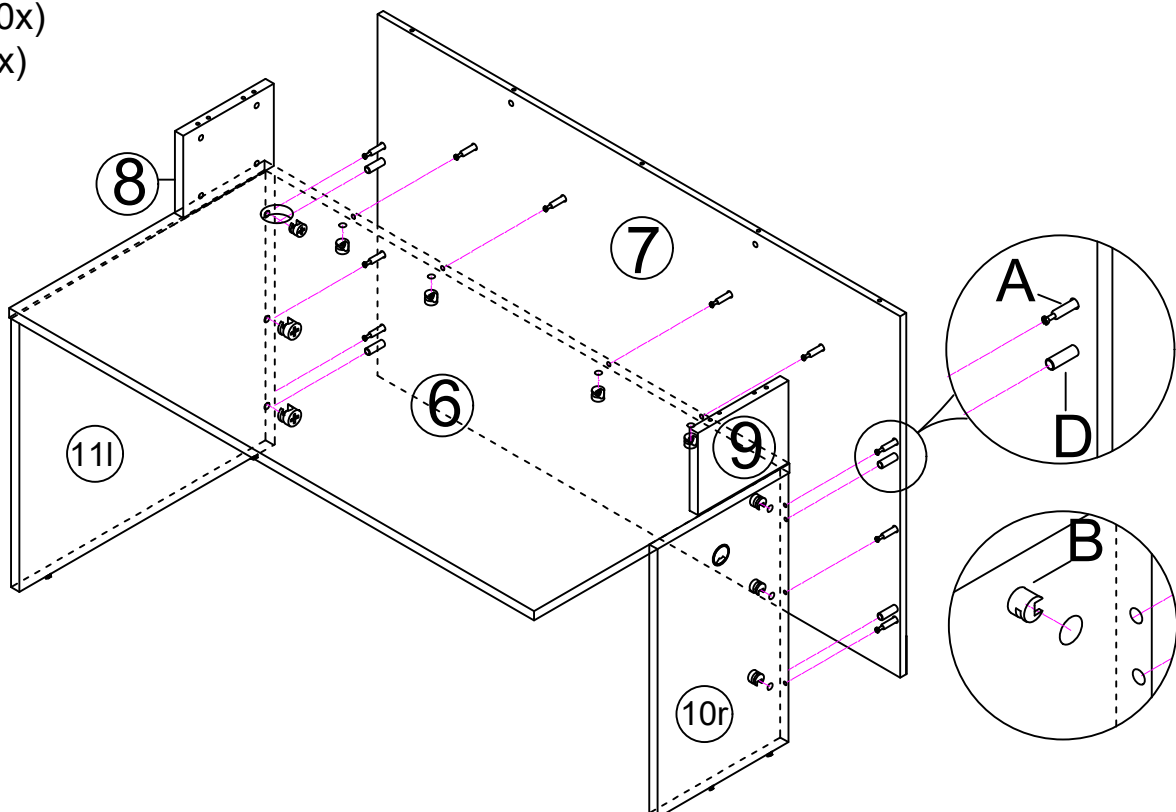
13. INSTALL "A" CAM SCREWS AND "D" DOWELS ON DESK TOP ⑥, INSTALL "B" KLIX CAMS ON SUPPORTS ⑧ & ⑨, THEN CONNECT SUPPORTS ⑧ & ⑨ TO TOP ⑥ USING "B" KLIX CAM. TIGHTEN.

A(4x)  
B(4x)  
D(4x)



14. INSTALL "A" CAM SCREWS AND "D" DOWELS TO BACK ⑦. INSTALL "B" KLIX CAMS TO PANELS ⑩r ⑪l & ⑥. CONNECT ⑦ TO ⑩r ⑪l & ⑥ USING INSTALLED "A" CAM SCREWS, "D" DOWELS & "B" KLIX CAMS. TIGHTEN.

A(10x)  
B(10x)  
D(4x)



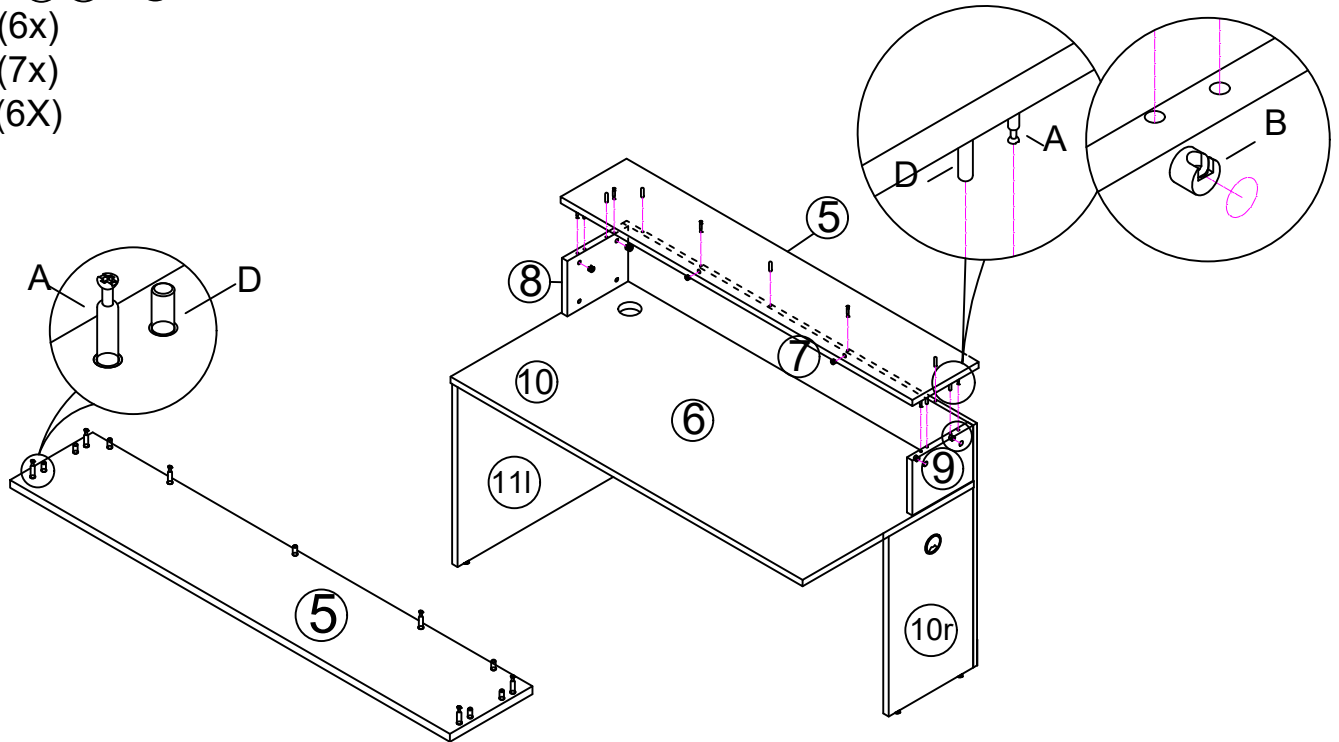


15. INSTALL "A" CAM SCREWS & "D" WOOD DOWELS ON THE UNDERSIDE OF COUNTER TOP (5), THEN INSTALL "B" KLIX CAMS ON PANELS (7) (8) & (9), CONNECT COUNTER (5) ON TOP OF (8) (9) & (7). TIGHTEN.

A(6x)

D(7x)

B(6X)

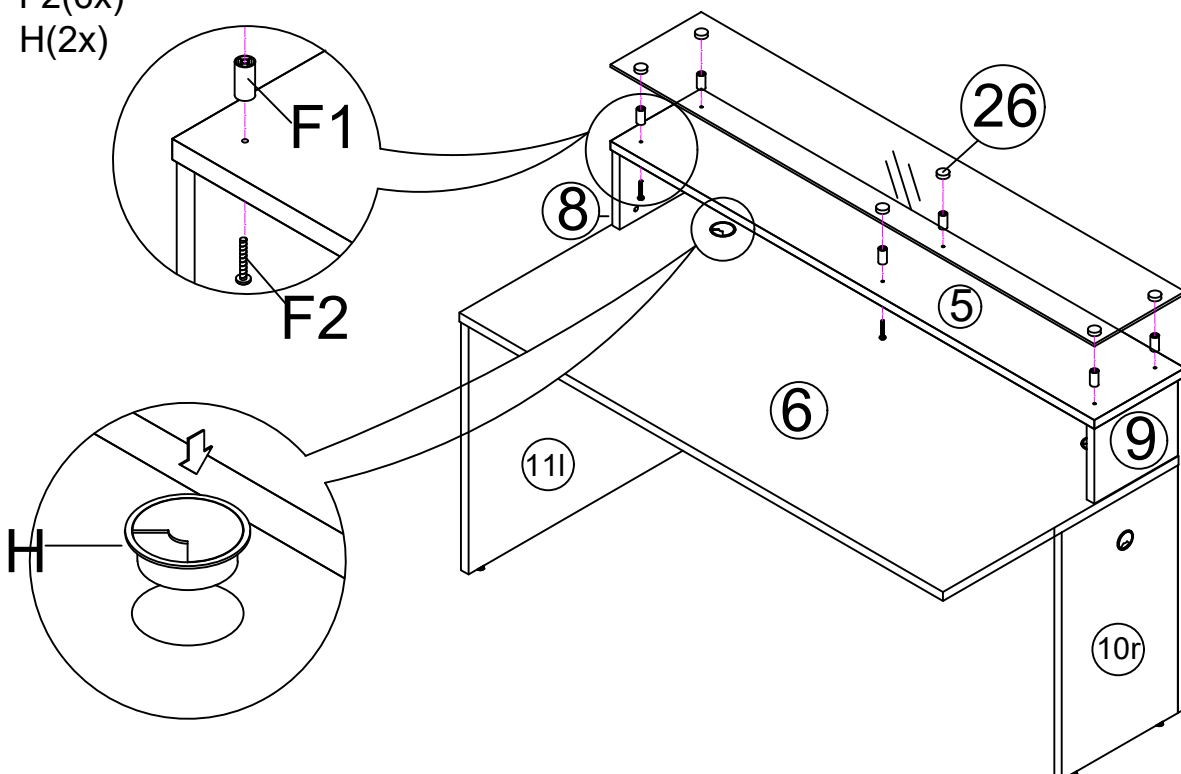


16. INSTALL THE GLASS COUNTER TOP (26) USING "F1" GLASS SPACERS AND "F2" SCREWS. INSTALL "H" GROMMETS ON TOP (6).

F1(6x)

F2(6x)

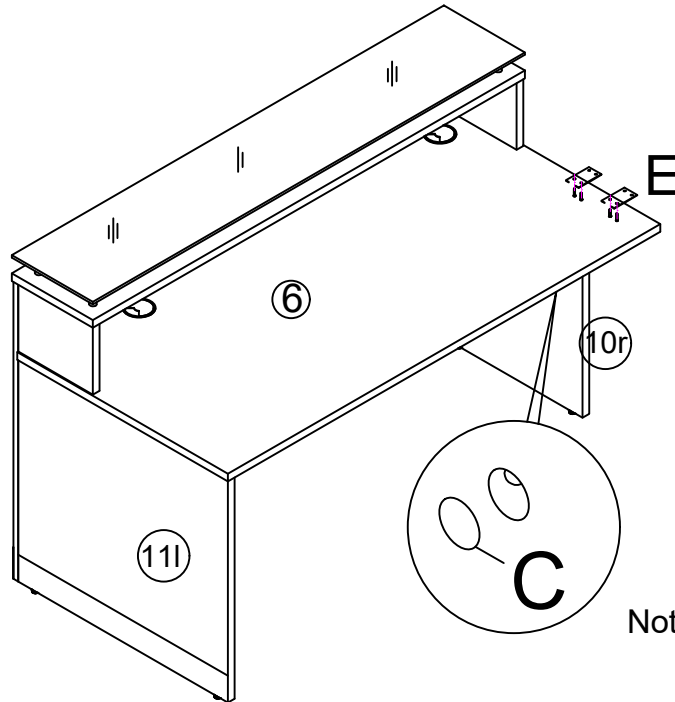
H(2x)





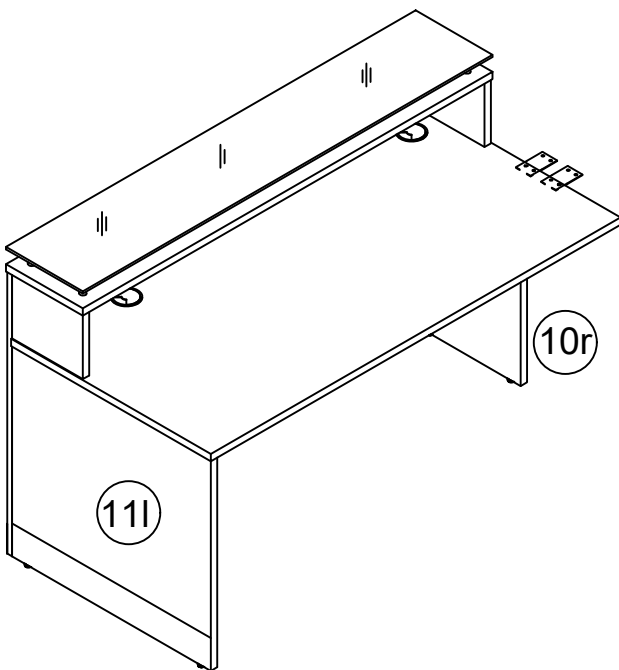
17. INSTALL "C" CAM COVER STICKERS TO COVER ALL EXPOSED KLIX CAMS AND INSTALL "E" BRACKET UNDER DESK TOP ⑥.

- C(26X)
- E1(2X)
- E2(4X)

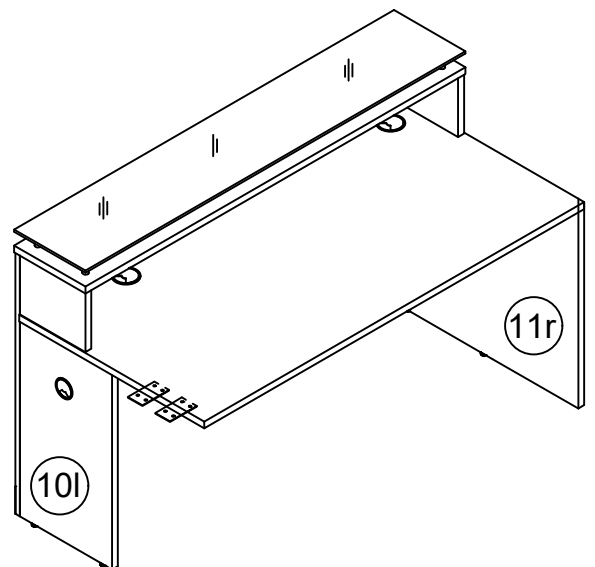


Note: Press in to fit.

18. COMPLETE (READY TO ATTACH TO ANOTHER DESK.)



Ready to attach to the left side of another desk.



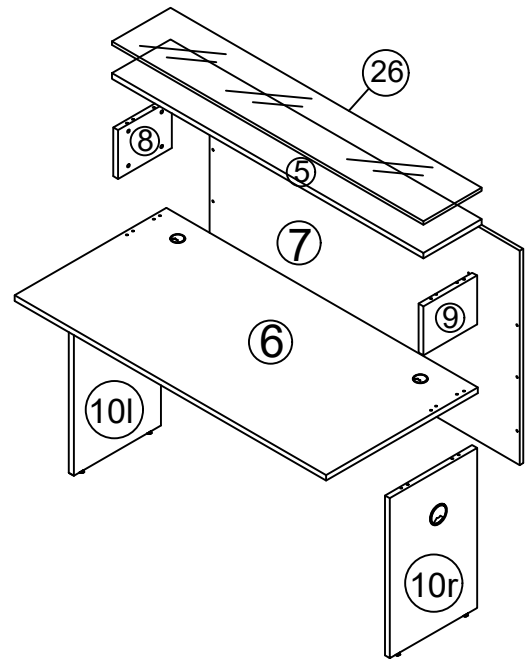
Ready to attach to the right side of another desk.



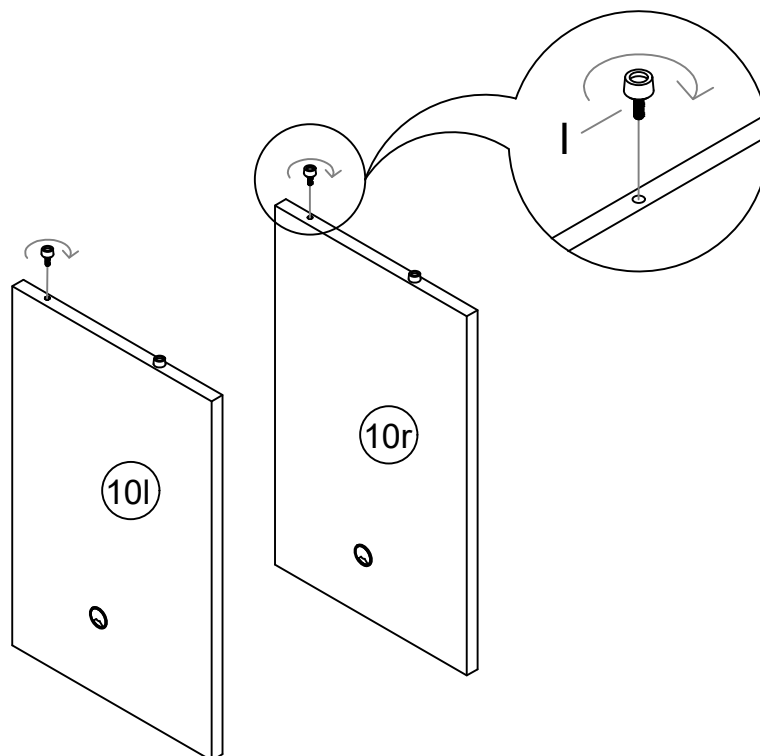
OPTION 3: FOLLOW STEPS 19 THROUGH 27 TO CREATE A DESK TO GO BETWEEN TWO OTHER DESKS.

### PARTS LIST

- ⑤ COUNTER TOP
- ⑥ DESK TOP
- ⑦ BACK
- ⑧ ⑨ COUNTER SUPPORTS
- ⑩l LEFT SMALL SIDE PANEL
- ⑩r RIGHT SMALL SIDE PANEL
- ⑳ GLASS COUNTER TOP



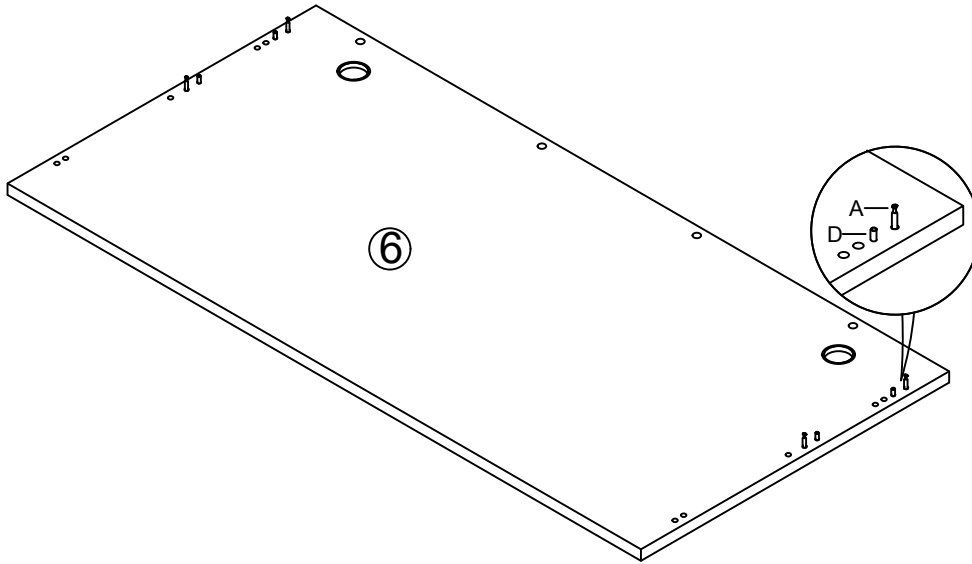
19. INSTALL THE "I" LEVELERS ON THE BOTTOM OF ⑩ SIDE PANELS.  
l(4x)





20. INSTALL "A" CAM SCREWS & "D" WOOD DOWELS TO THE UNDERSIDE OF DESK TOP ⑥.

A(4x)  
D(4X)

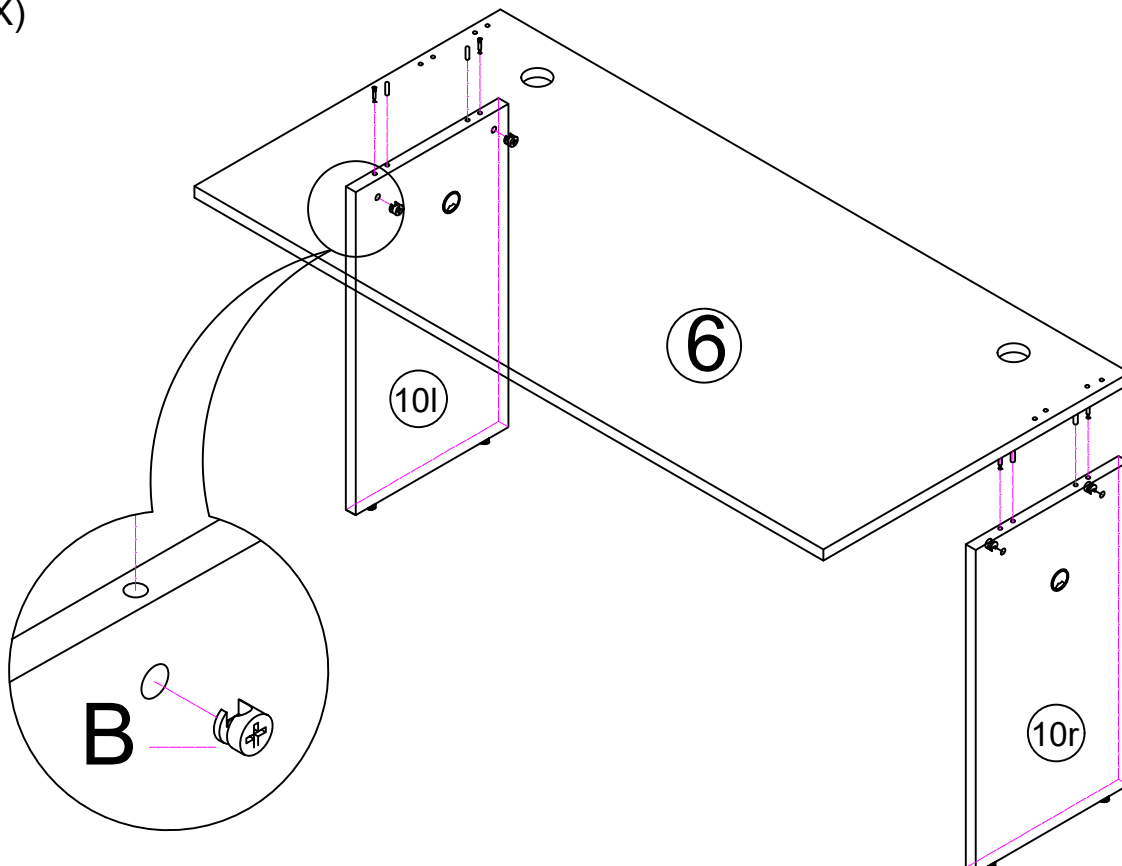


Notes:

As the desktop needs to be able to attach to side panels ⑩ and ⑩r, there will be some empty holes.

21. INSERT "B" KLIX CAMS TO SIDE PANELS ⑩l & ⑩r, THEN CONNECT TO THE DESK TOP ⑥ USING THE "A" CAM SCREWS AND "D" DOWELS. TIGHTEN.

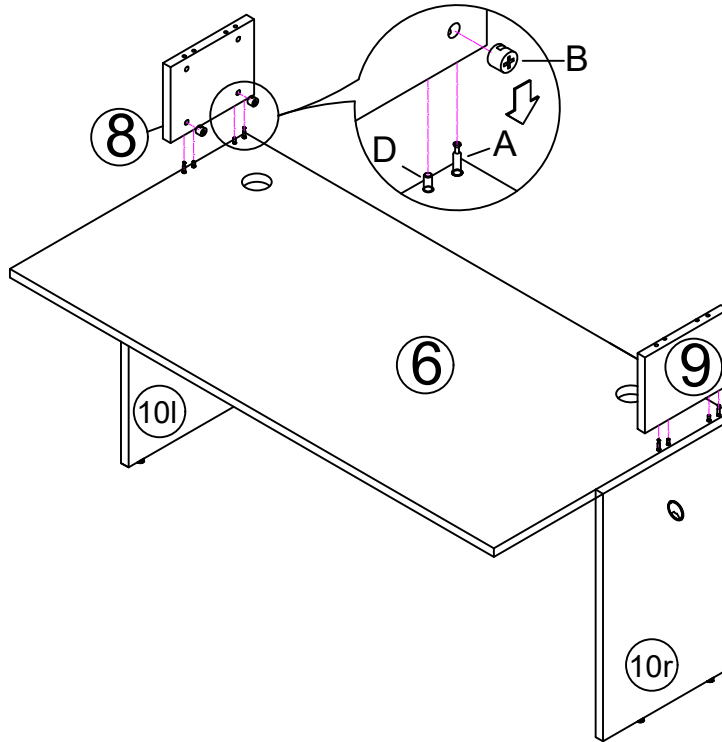
B(4X)





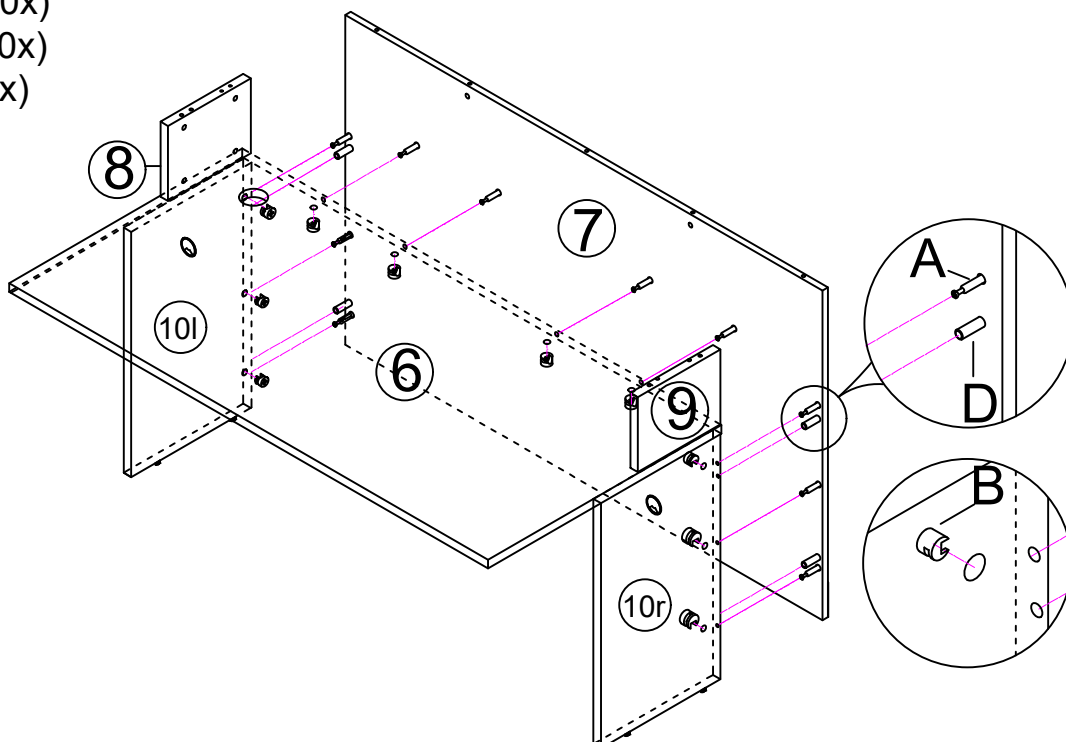
22. INSTALL "A" CAM SCREWS AND "D" DOWELS ON DESK TOP ⑥, INSTALL "B" KLIX CAMS ON SUPPORTS ⑧ & ⑨, THEN CONNECT SUPPORTS ⑧ & ⑨ TO TOP ⑥ USING "B" KLIX CAM. TIGHTEN.

- A(4x)
- B(4x)
- D(4x)



23. INSTALL "A" CAM SCREWS AND "D" DOWELS TO BACK ⑦. INSTALL "B" KLIX CAMS TO PANELS ⑩ & ⑥. CONNECT ⑦ TO ⑩ & ⑥ USING INSTALLED "A" CAM SCREWS, "D" DOWELS & "B" KLIX CAMS. TIGHTEN.

- A(10x)
- B(10x)
- D(4x)



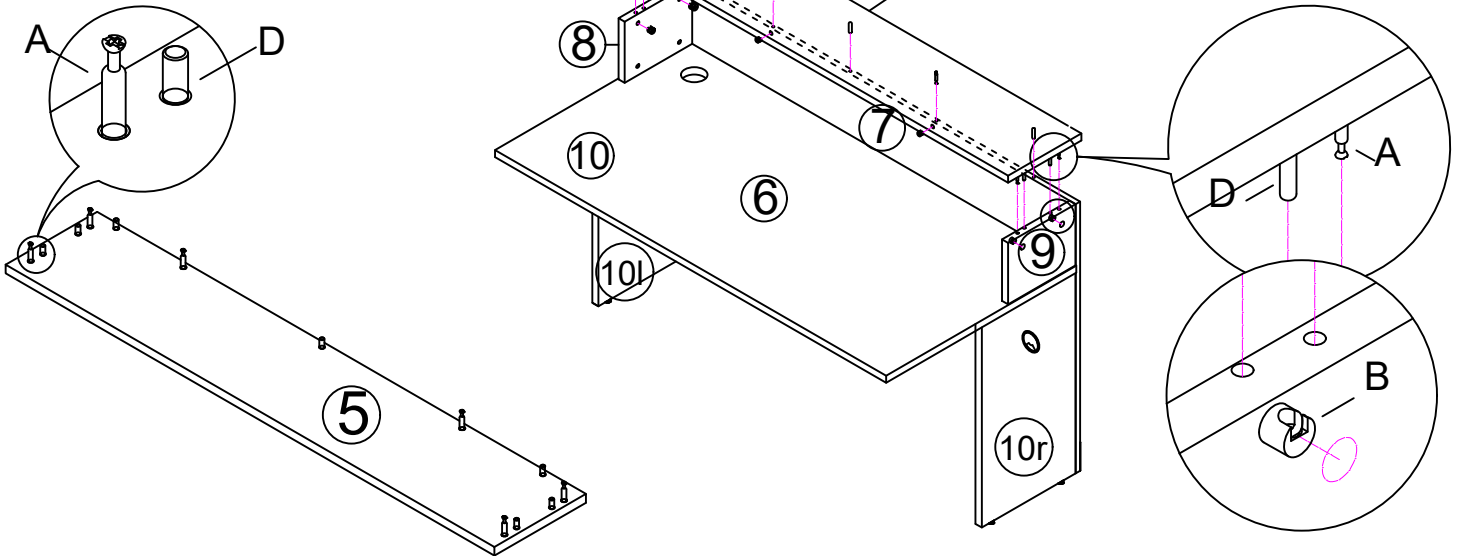


24. INSTALL "A" CAM SCREWS & "D" WOOD DOWELS ON THE UNDERSIDE OF COUNTER TOP (5), THEN INSTALL "B" KLIX CAMS ON PANELS (7) (8) & (9), CONNECT COUNTER (5) ON TOP OF (8) (9) & (7). TIGHTEN.

A(6x)

D(7x)

B(6X)

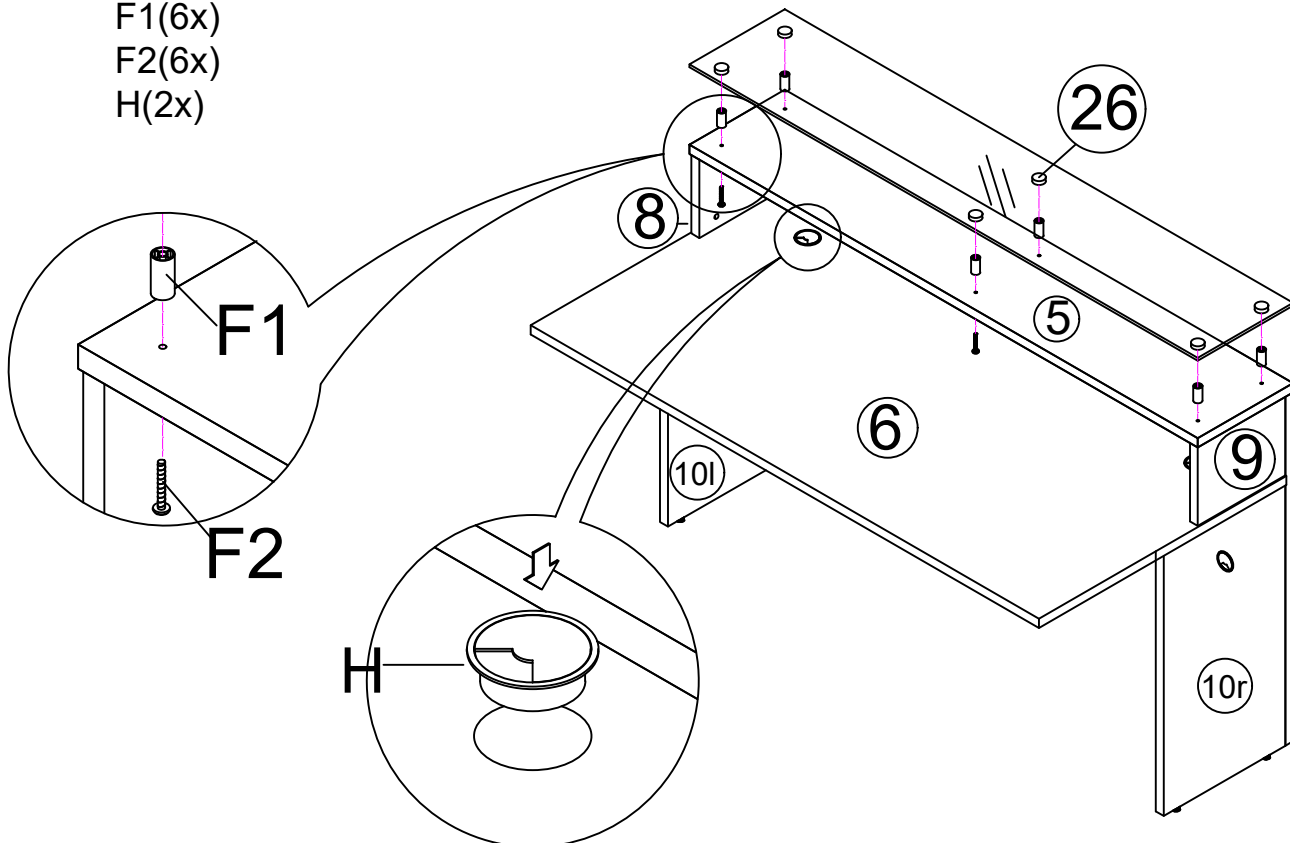


25. INSTALL THE GLASS COUNTER TOP (26) USING "F1" GLASS SPACERS AND "F2" SCREWS. INSTALL "H" GROMMETS ON TOP (6).

F1(6x)

F2(6x)

H(2x)



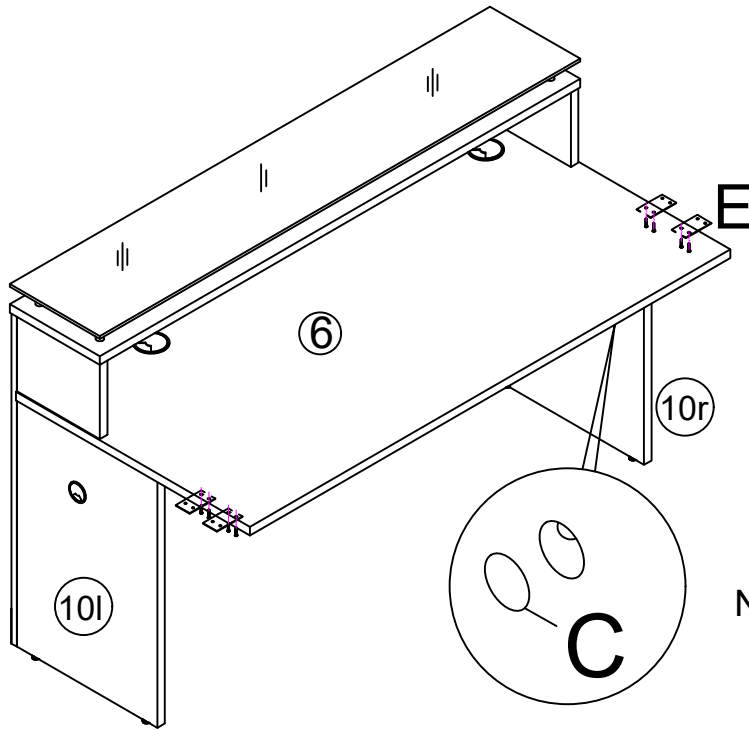


26. INSTALL "C" CAM COVER STICKERS TO COVER ALL EXPOSED KLIX CAMS AND INSTALL "E" BRACKET UNDER DESK TOP ⑥.

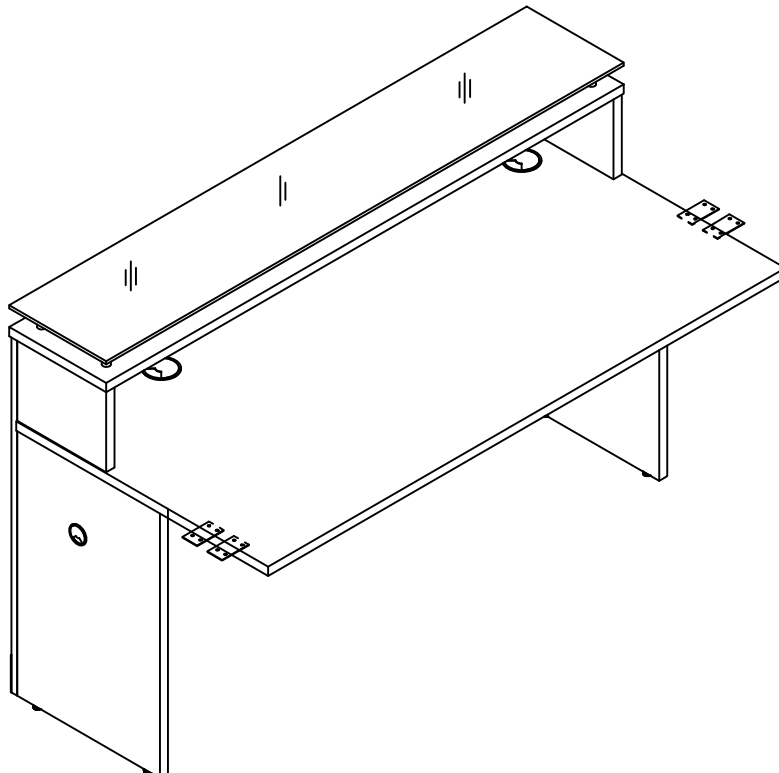
C(26X)

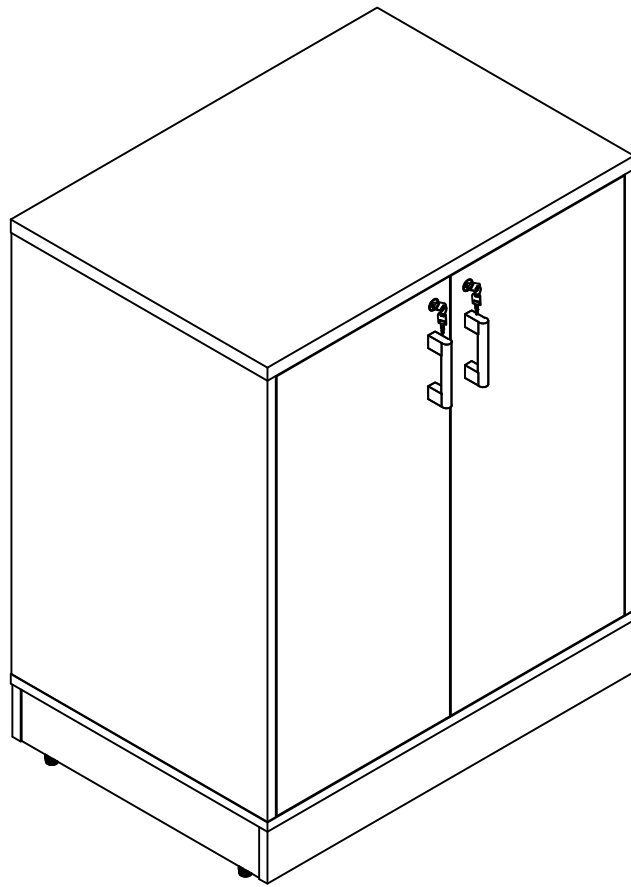
E1(4X)

E2(8X)



27. COMPLETE( READY TO ATTACH BETWEEN TWO DESKS.)



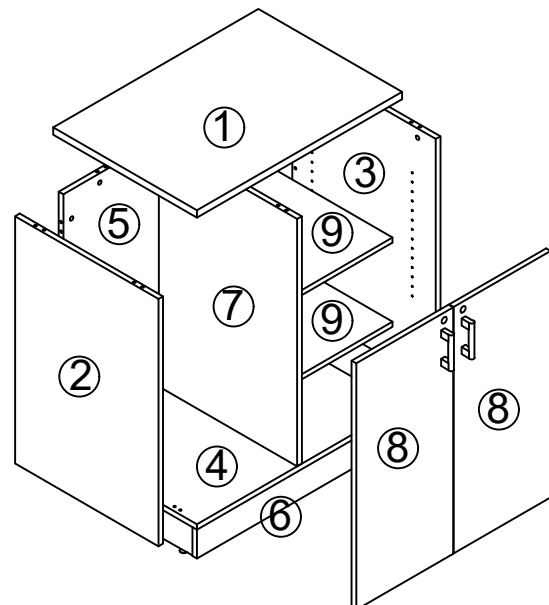




Assembly HARDWARE				
S/N	PICTURE	NAME	TOTAL QTY	REMARK
A		CAM SCREW	22+1(SPARE)	
B		KLIX CAM	22+1(SPARE)	
C		CAM COVER STICKER	22+1(SPARE)	use cam covers to cover any klix cam screws
D		WOOD DOWEL	18+1(SPARE)	
E		LEVELER	4	
F		SHELF PEG	8+1(SPARE)	
G		HINGE	4PCS	
H		LOCK	2PCS	
I		Connector for rail	2PCS	
J		HANGING RAIL	1PCS	
K		Handle With Screws	2PCS	

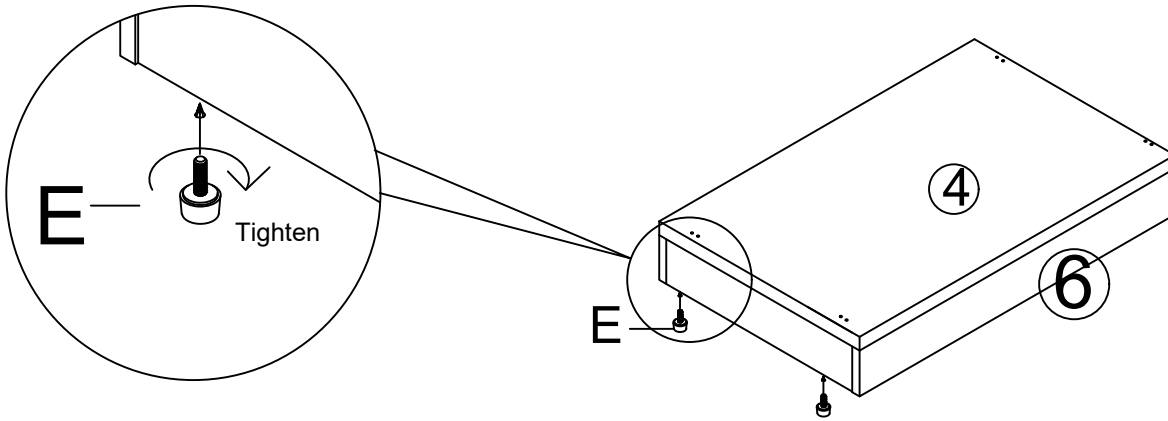
PARTS LIST

- ① TOP PANEL
- ② LEFT SIDE PANEL
- ③ RIGHT SIDE PANEL
- ④ BOTTOM PANEL
- ⑤ BACK PANEL
- ⑥ BASE SUPPORT
- ⑦ CENTER PANEL
- ⑧ DOOR (2)
- ⑨ SHELF(2)





1. INSTALL THE "E" LEVELERS ON THE BOTTOM OF BASE SUPPORT ⑥.  
E(4x)

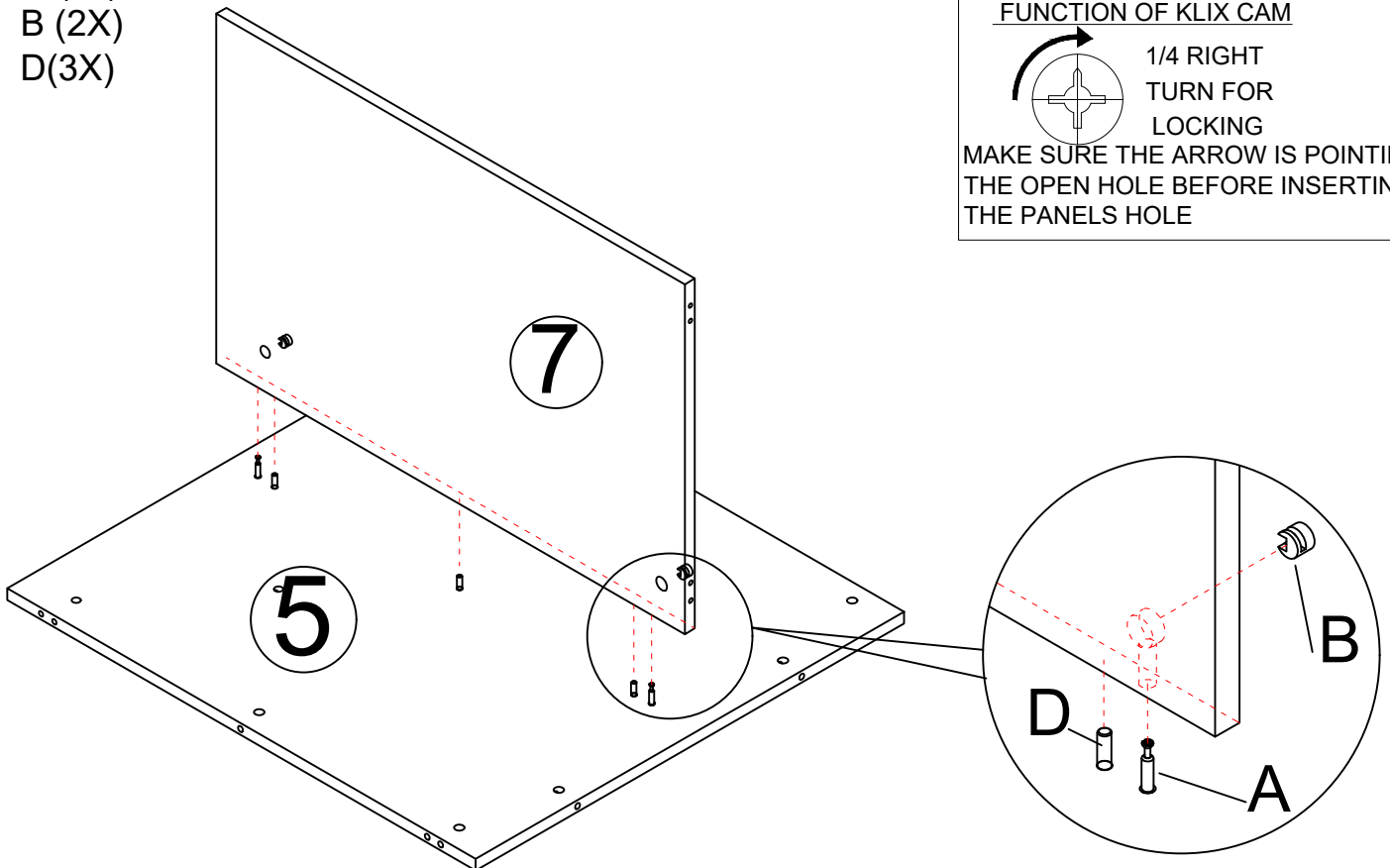


2. INSTALL "A" CAM SCREWS AND "D" DOWELS INTO BACK PANEL ⑤. INSERT "B" KLIX CAMS INTO CENTER PANEL ⑦. CONNECT PANEL ⑤ TO ⑦. TIGHTEN.

- A (2x)
- B (2X)
- D(3X)

IMPORTANT:

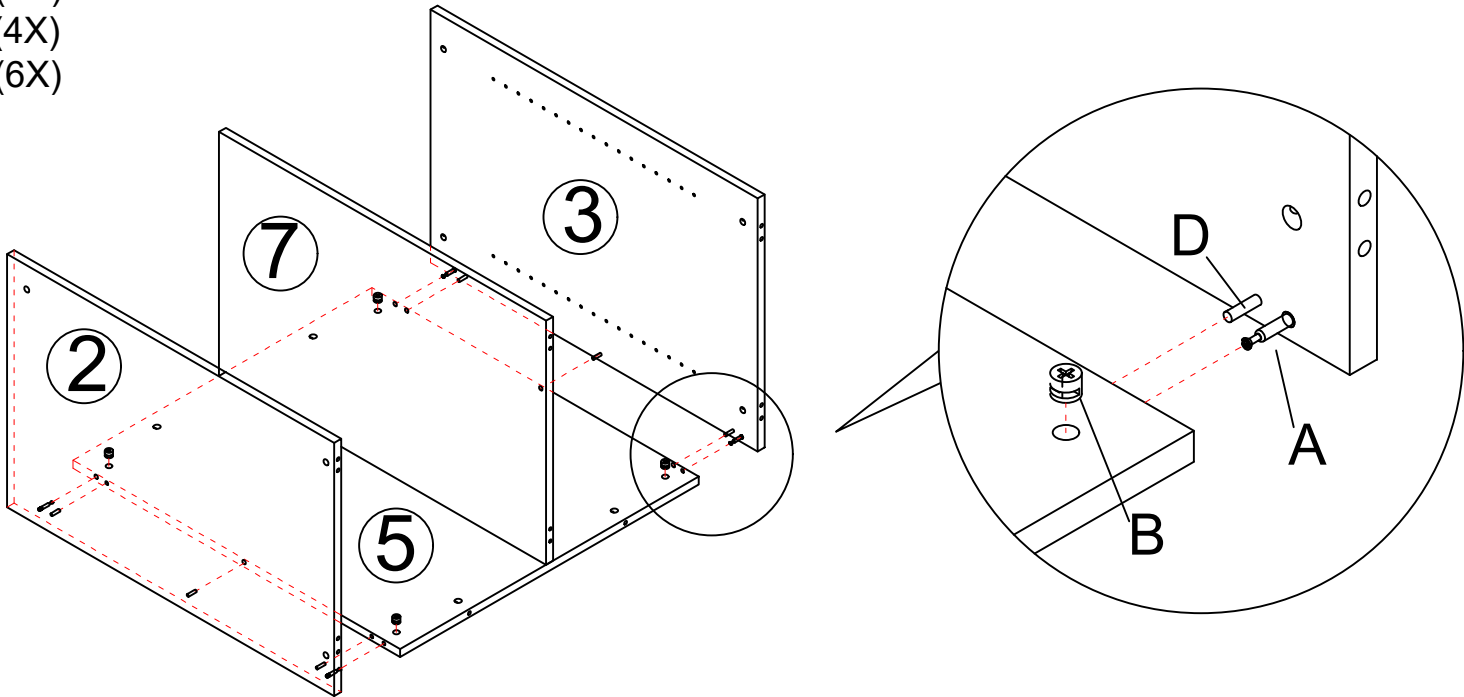
FUNCTION OF KLIX CAM	
	1/4 RIGHT TURN FOR LOCKING
MAKE SURE THE ARROW IS POINTING TO THE OPEN HOLE BEFORE INSERTING INTO THE PANELS HOLE	





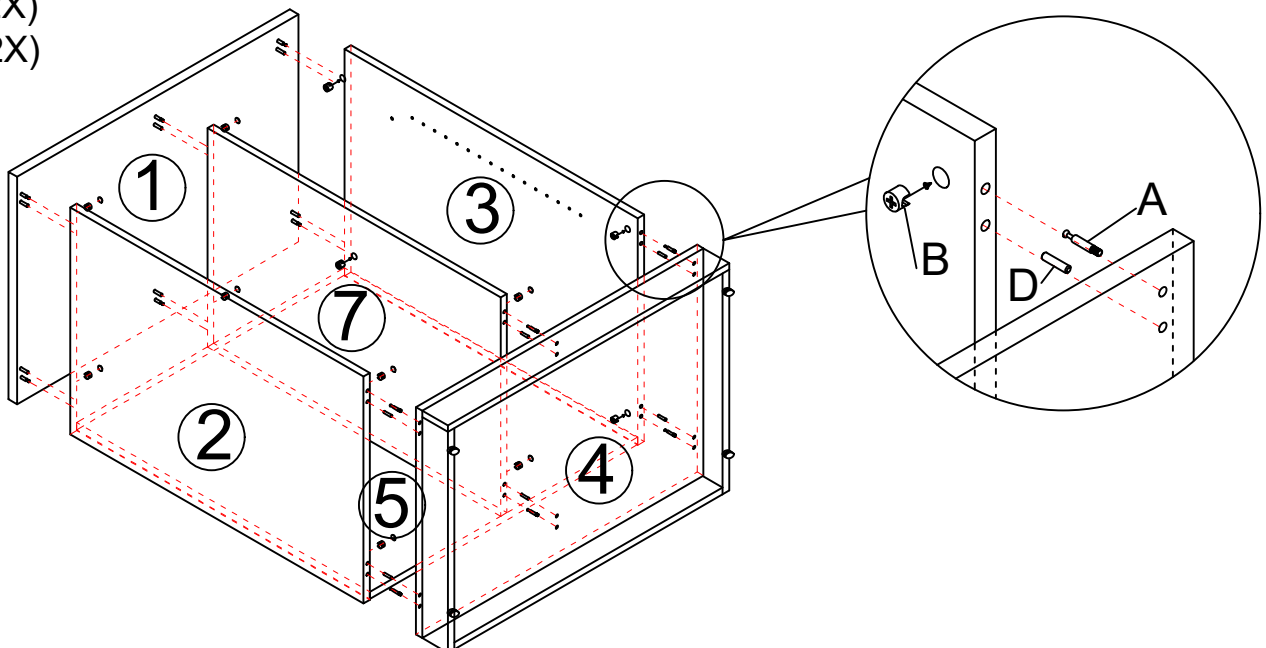
3. INSTALL "A" CAM SCREWS AND "D" DOWELS ON SIDE PANELS ② . INSTALL "B" KLIX CAMS INTO BACK PANEL ⑤. THEN CONNECT ② TO ⑤ ,TIGHTEN. DO THE SAME STEP TO CONNECT ③ TO ⑤.

A(4X)  
B(4X)  
D(6X)



4. INSTALL "A" CAM SCREWS AND "D" DOWELS ON ON BOTTOM PANEL④. INSTALL "B" KLIX CAMS ON PANEL ② ③ ⑤ ⑦ . THEN CONNECT ④ TO ② ③ ⑤ ⑦, TIGHTEN. REPEAT STEP TO CONNECT ① TO ② ③ ⑤ ⑦.

A(12X)  
B(12X)  
D(12X)

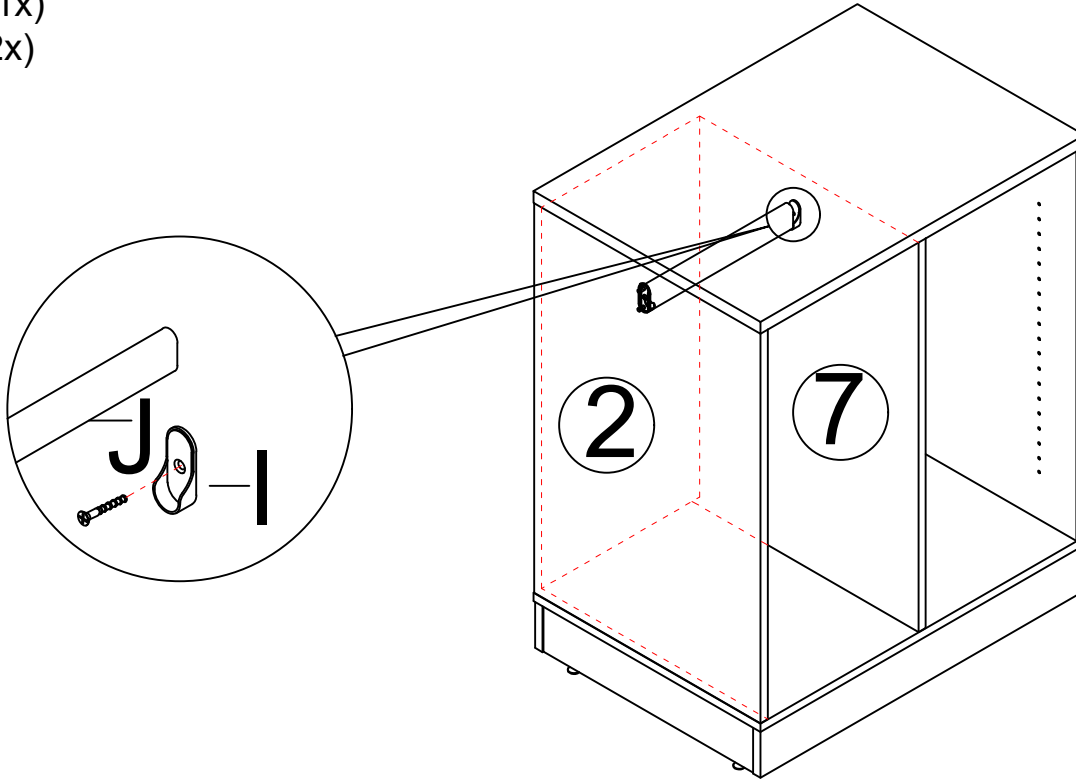




5. INSTALL "J" HANGING RAIL TO PANEL ② & ⑦ USING "I" CONNECTORS.

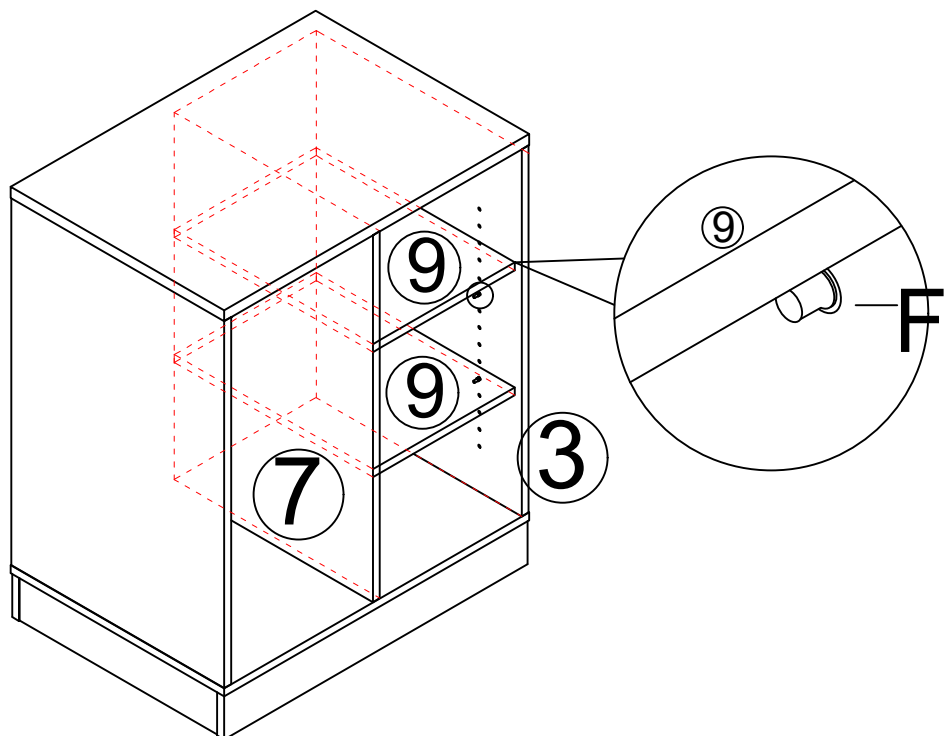
J(1x)

I(2x)



6. INSTALL "F" SHELF PEGS ON PANELS ③ & ⑦ . THEN PLACE SHELVES ⑨ INSIDE ON "F" SHELF PEGS.

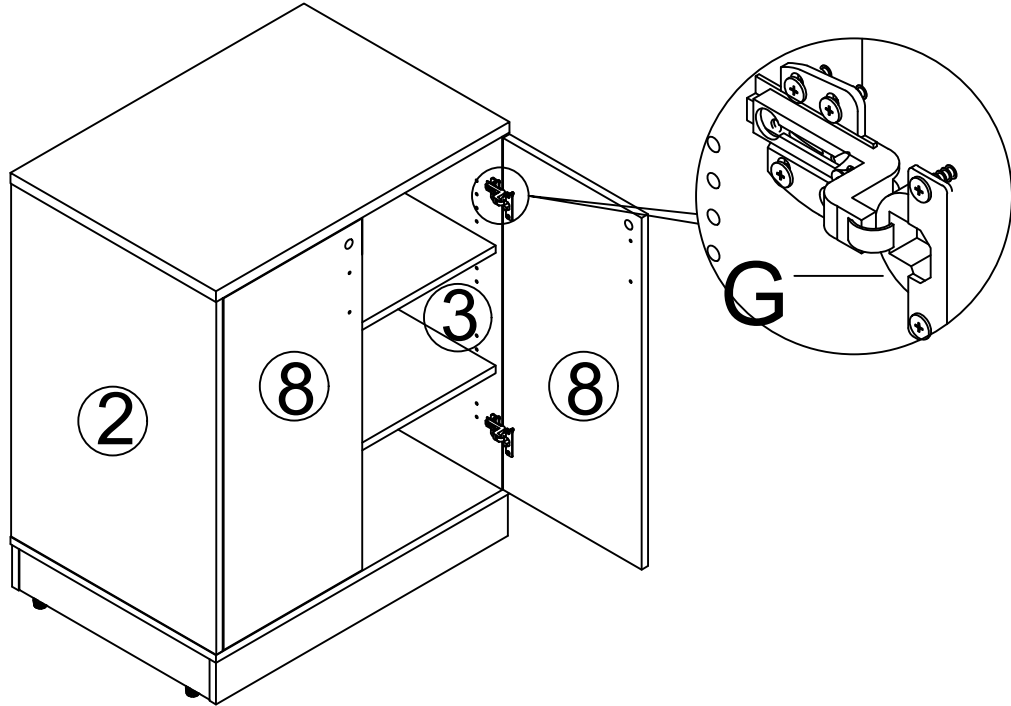
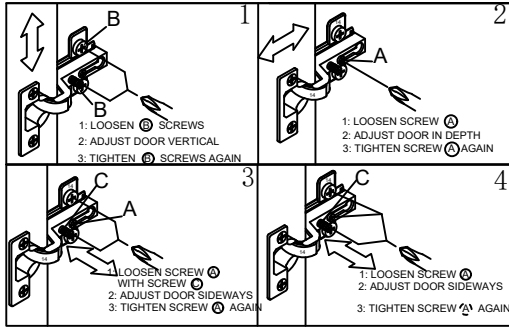
F(8X)



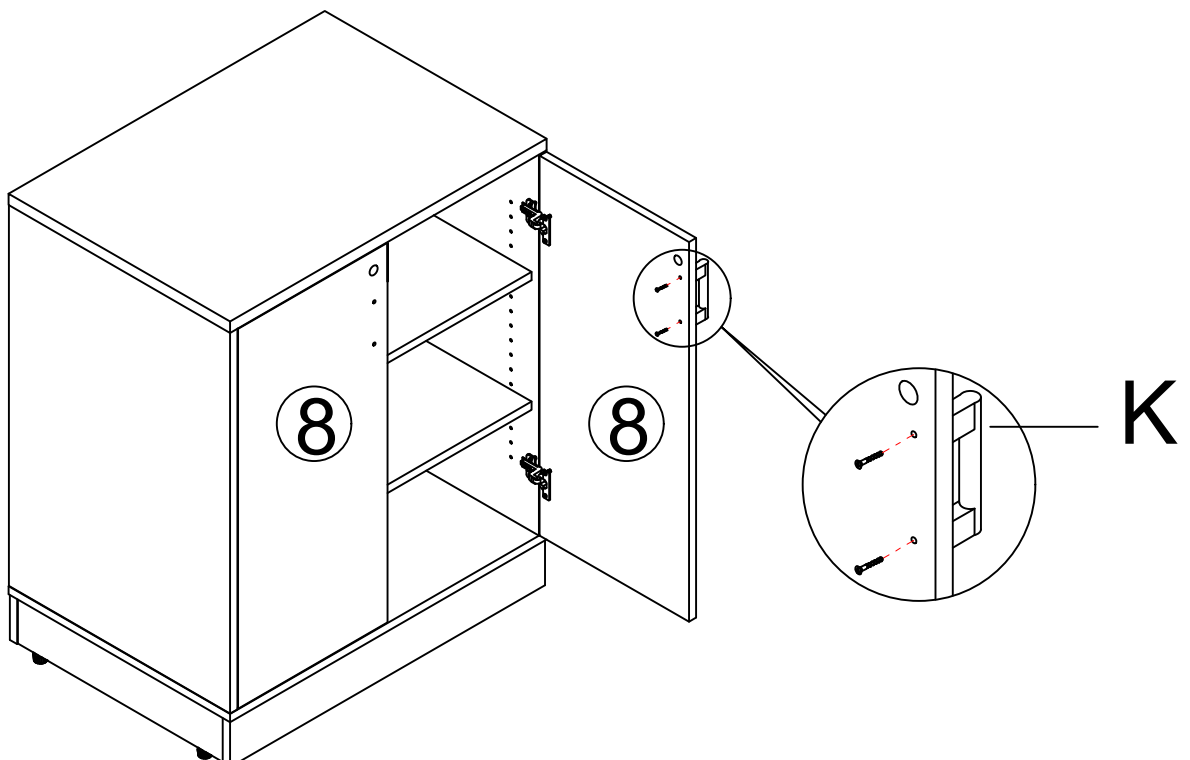


7. INSTALL "G" HINGES ON THE INSIDE OF DOORS ⑧ , 2 PER DOOR, ATTACH DOOR ⑧ TO PANELS ② AND ③, ADJUST AS NEEDED SEE BOX.  
G (4x)

To adjust doors

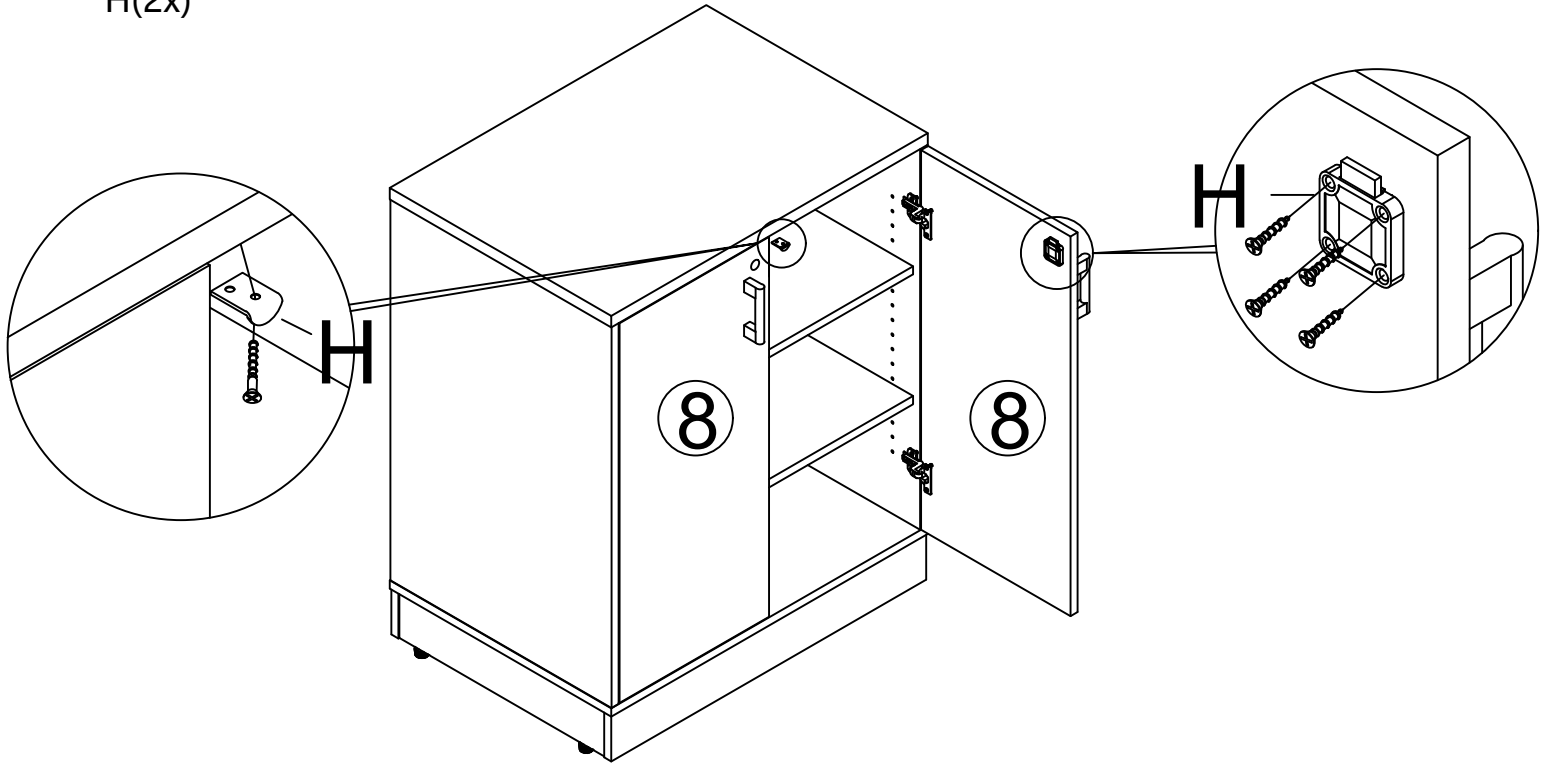


8. INSTALL "K" HANDLES ON OUTSIDE OF DOORS ⑧. ONE PER DOOR.  
K (2x)

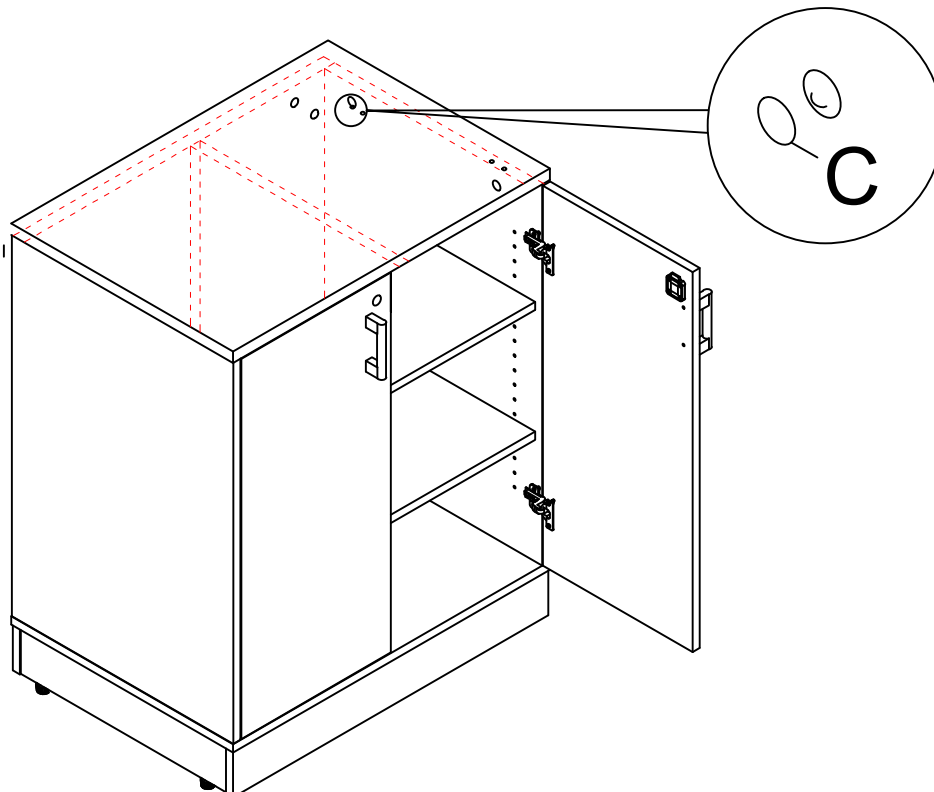




9. INSTALL LOCKS ON DOOR ⑧ AND UNDERSIDE OF TOP ①. ONE PER DOOR.  
H(2x)

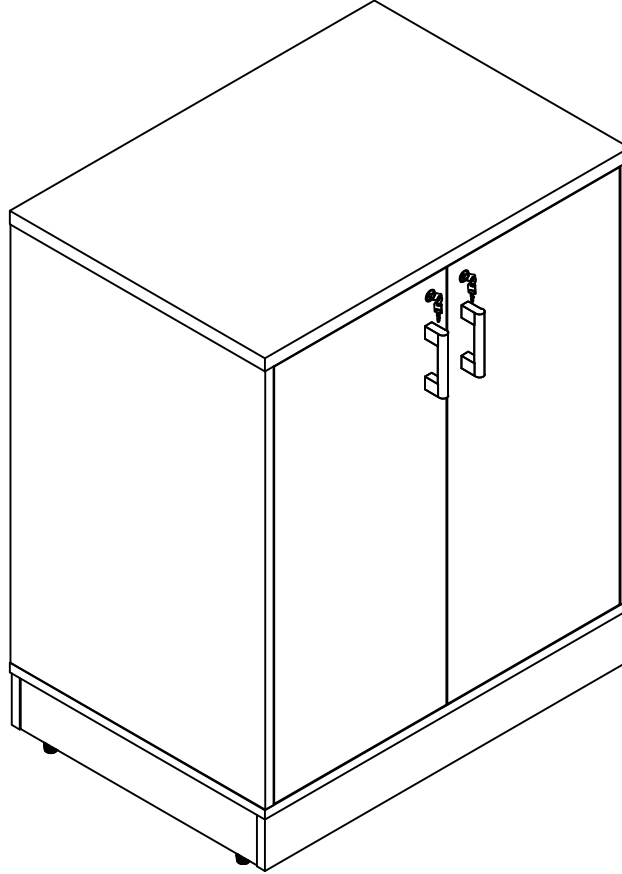


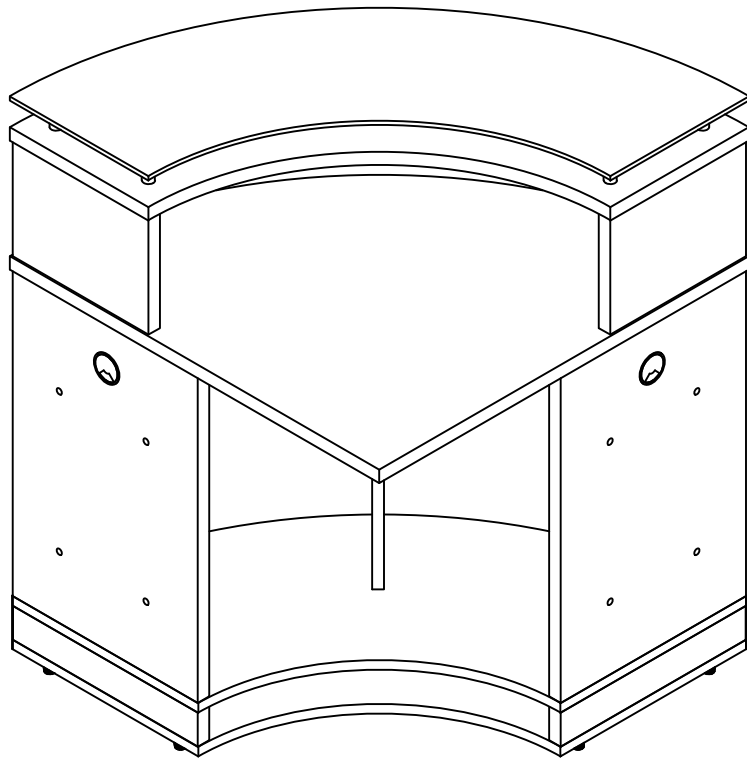
10. USE "C" CAM COVERS STICKERS TO COVER ALL EXPOSED KLIX CAMS.  
C (21x)






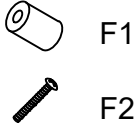
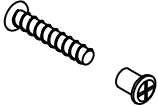




11. COMPLETED





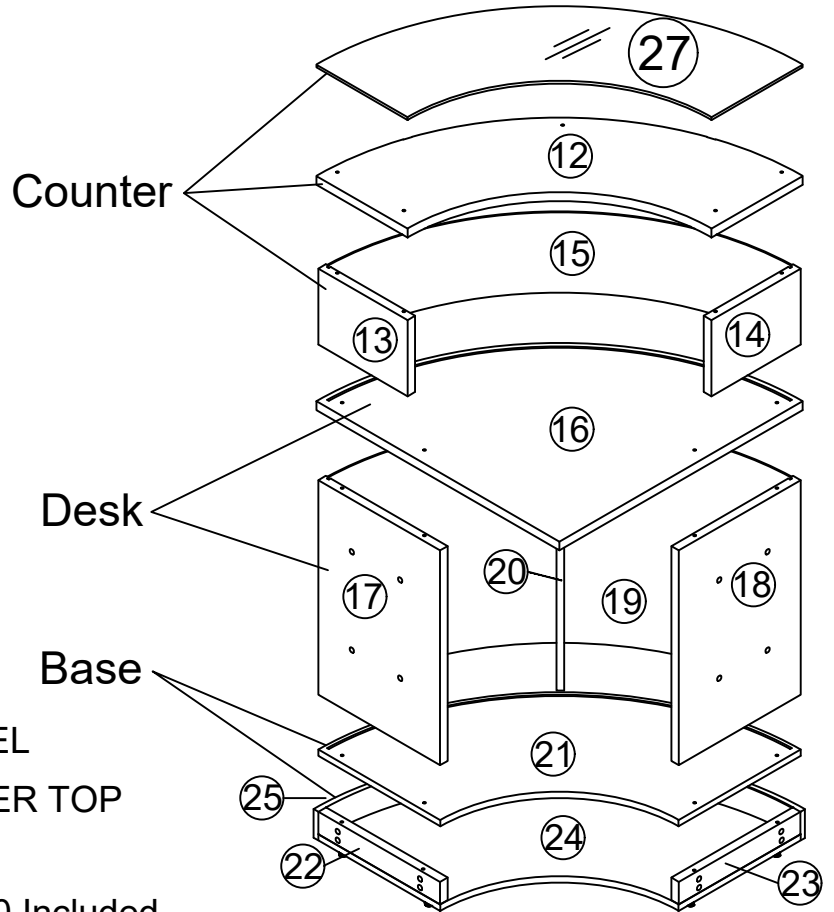


Assembly HARDWARE					
S/N	PICTURE	NAME	TOTAL QTY		REMARK
A		CAM SCREW	20PCS		
B		KLIX CAM	20PCS		
C		CAM COVER STICKER	28PCS		use cam covers to cover any klix cam
F	 F1 F2	GLASS SPACERS SCREWS	5PCS		
G		CONNECTOR SCREW	4PCS		Use to connect to another desk
H		GROMMET	2PCS		
I		LEVELER	5PCS		



### PART LIST

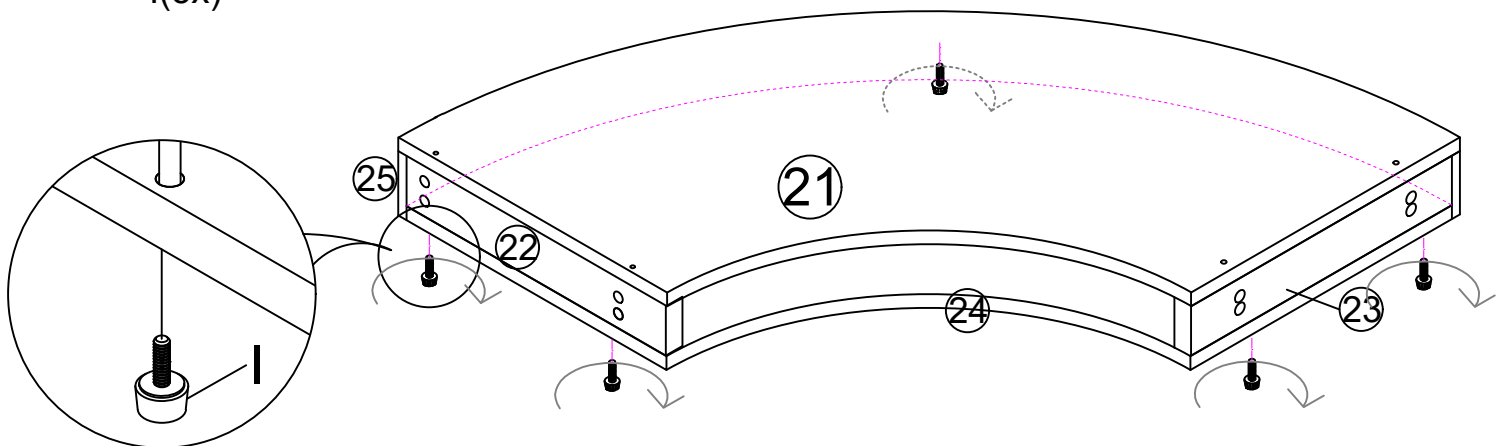
- ⑫ COUNTER TOP
- ⑯ DESK TOP
- ⑬⑭ COUNTER SUPPORTS
- ⑰⑱ DESK SIDES
- ⑳㉑ BASE SUPPORTS
- Double ⑮ COUNTER BACK
- Double ⑲ DESK BACK
- ⑳ BASE BACK
- ㉑ DESK BOTTOM
- ㉒ BASE BOTTOM
- Double ⑳ CENTER SUPPORT PANEL
- ⑳ CURVED GLASS COUNTER TOP



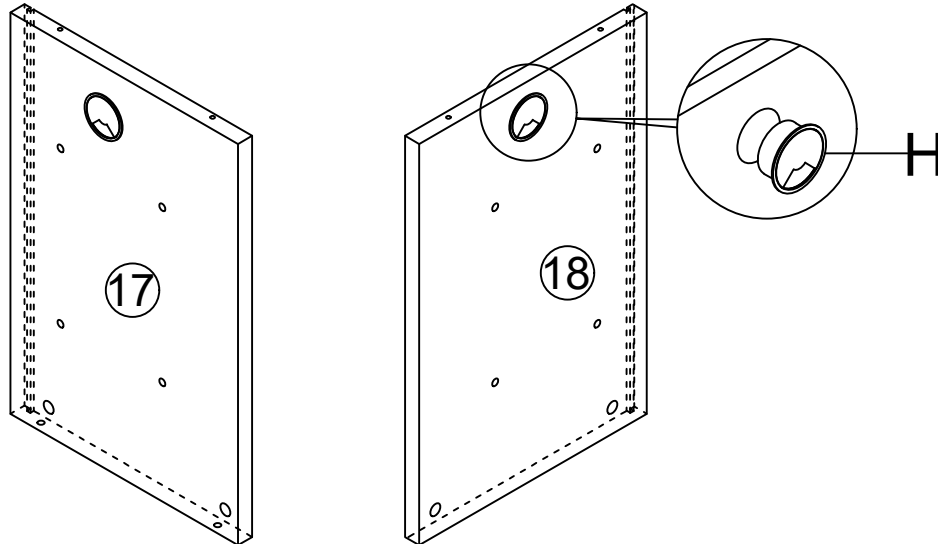
Note: Additional Parts 15, 19, and 20 Included

Bottom Parts 21, 22, 23, 24, and 25 come Pre-Assembled.

1. INSTALL "I" LEVELERS ON THE BOTTOM OF ㉒  
1(5x)



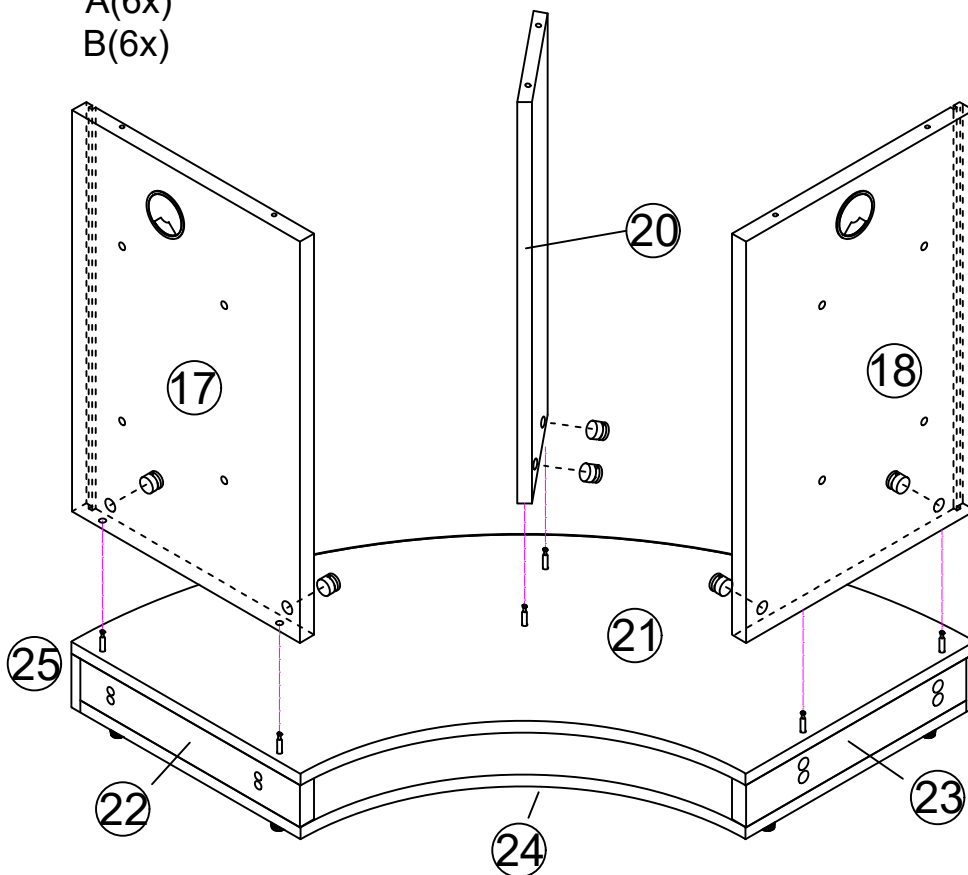
2. INSTALL "H" GROMMETS ON SIDE PANELS 17 & 18.  
H(2X)




3. CONNECT 21 DESK BOTTOM TO 17 & 18 DESK SIDES & 19 BACK PANEL & 20 CENTER SUPPORT. INSTALL 19 LAST. SEE TWO STEPS BELOW.

- <1> INSTALL "A" CAM SCREWS IN 21 AND "B" KLIX CAMS IN 17 18 AND 20 .CONNECT 17 18 AND 20 TO 21 ,TIGHTEN.

A(6x)  
B(6x)



IMPORTANT:  
FUNCTION OF KLIX CAX

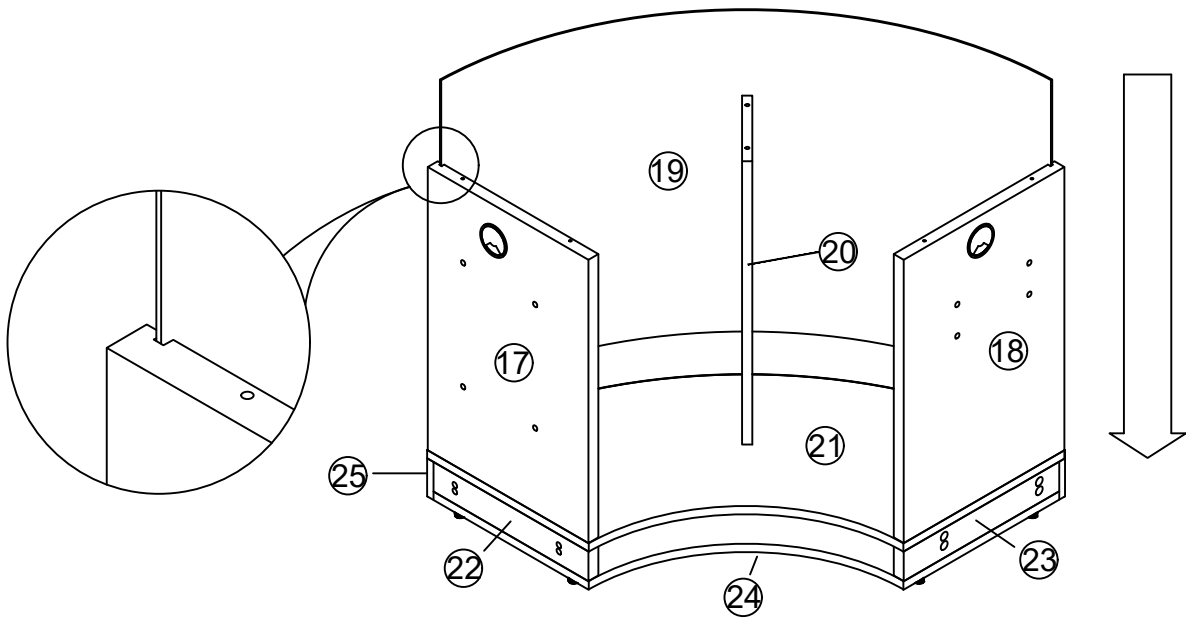


1/4 RIGHT  
TURN FOR  
LOCKING

MAKE SURE THE ARROW IS  
POINTING TO THE OPEN  
HOLE BEFORE INSERTING  
INTO THE PANELS HOLE



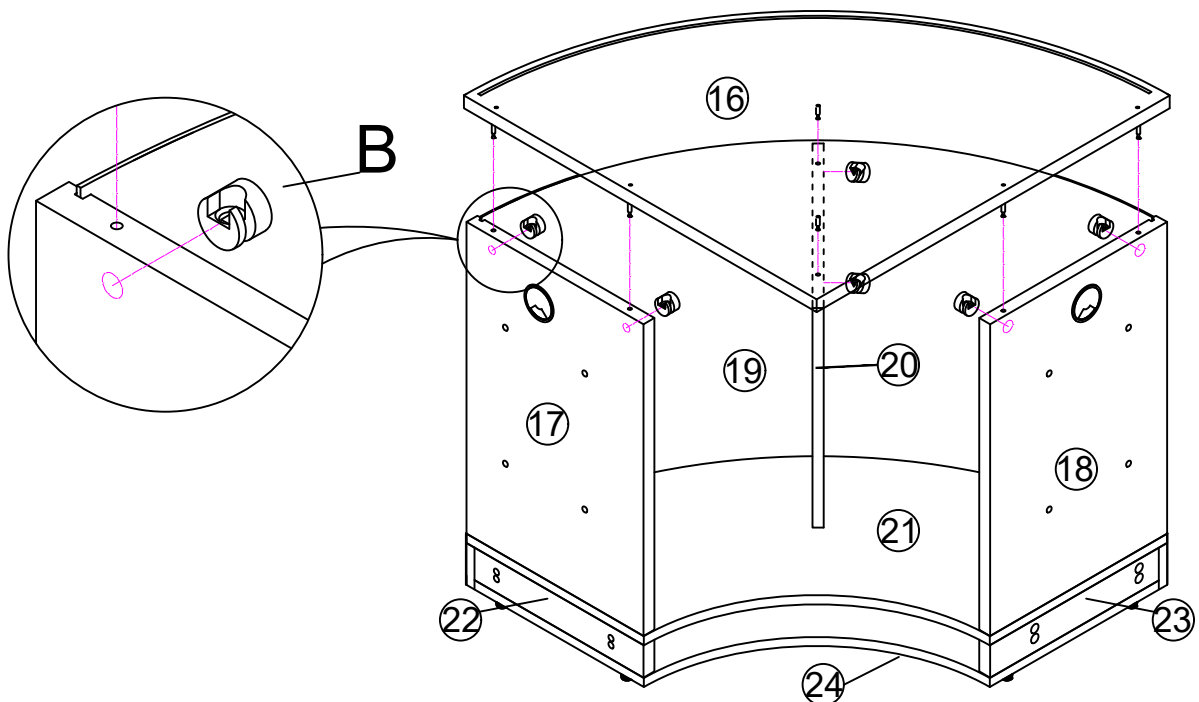
<2> BEND AND SLIDE CURVED BOARD (19) INTO GROOVES ON (17) AND (18) .



4. INSTALL "A" CAM SCREWS ON UNDERSIDE OF TOP (16). INSTALL "B" KLIX CAMS ON PANELS (17), (18) AND (20) . CONNECT (16) TO (17), (18) AND (20) USING INSTALLED CAM SCREWS AND KLIX CAMS. TIGHTEN.

A(6x)

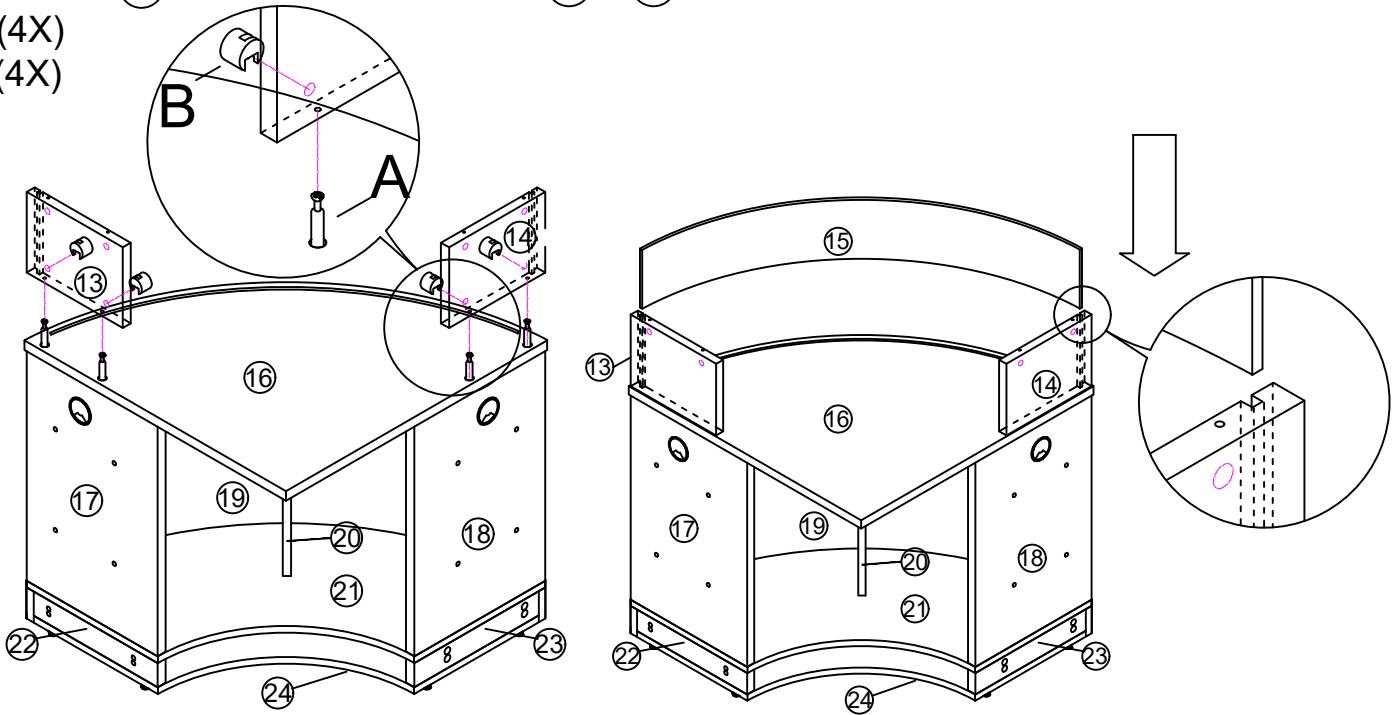
B(6x)





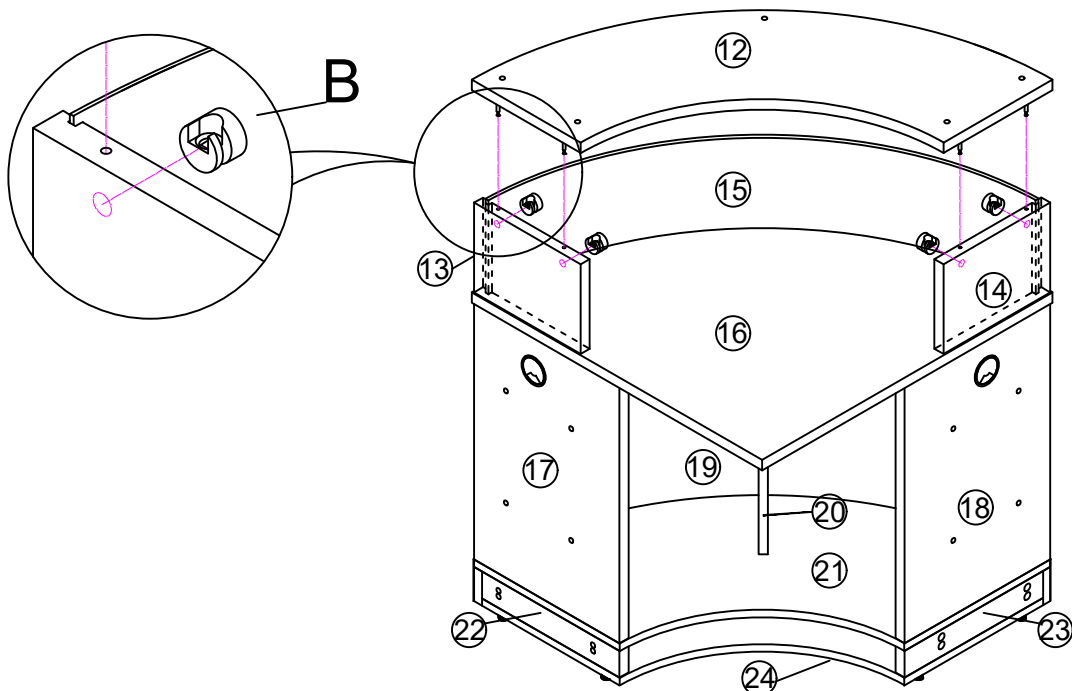
5. INSTALL "A" CAM SCREWS ON PANEL ⑯, INSTALL "B" KLIX CAMS ON SIDE PANELS ⑬ & ⑭. THEN CONNECT PANELS ⑬ & ⑭ TO ⑯ USING ALREADY INSTALLED "A" CAM SCREWS. TIGHTEN. THEN BEND AND SLIDE CURVED BOARD ⑮ INTO GROOVES ON ⑬ & ⑭.

A(4X)  
B(4X)



6. INSTALL "A" CAM SCREWS ON THE UNDERSIDE OF COUNTER TOP ⑫. INSTALL "B" KLIX CAMS ON SUPPORTS ⑬ AND ⑭. CONNECT ⑫ TO ⑬ AND ⑭ USING INSTALLED CAM SCREWS AND KLIX CAMS. TIGHTEN.

A(4X)  
B(4X)

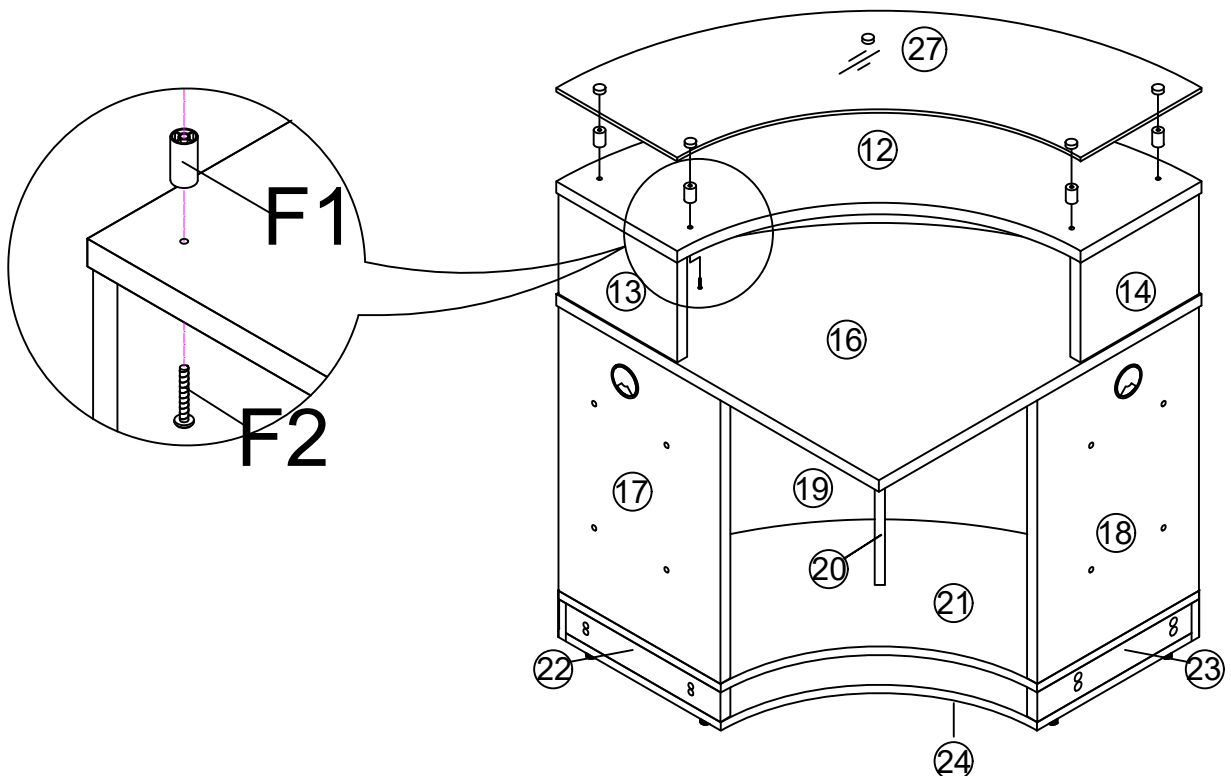




7. ATTACH THE CURVED GLASS COUNTER TOP (27) TO CENTER (12) USING "F1" GLASS SPACERS AND "F2" SCREWS WITH CARE.

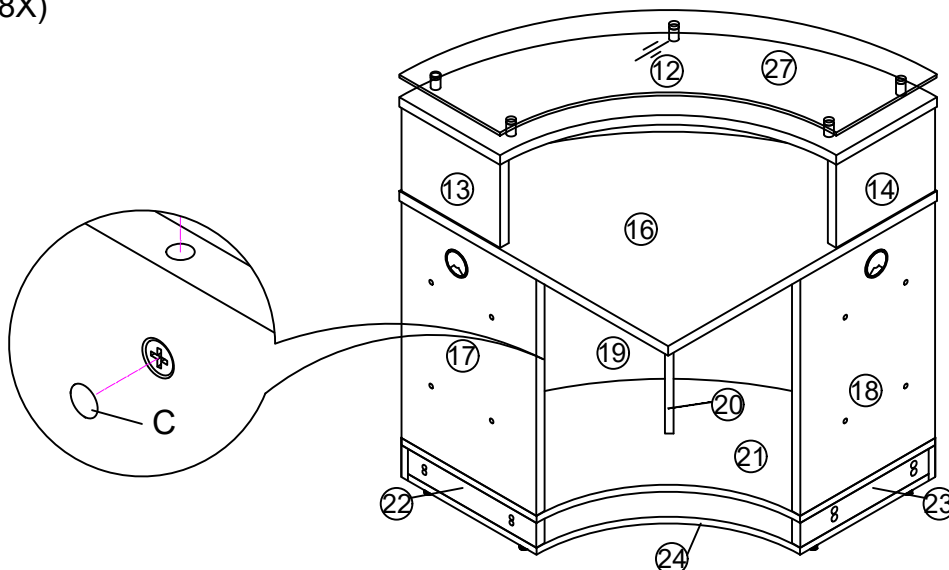
F1(5x)

F2(5x)

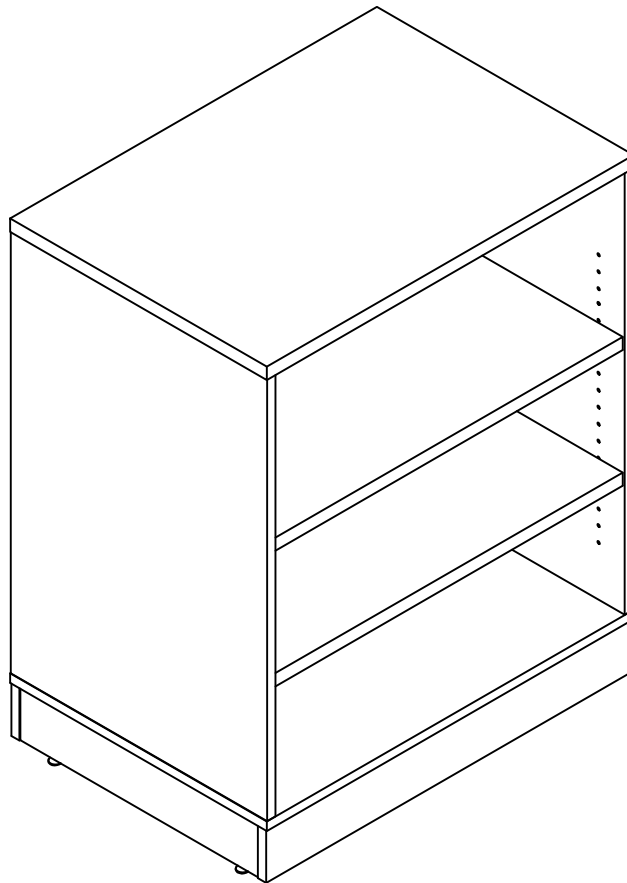


8. USE "C" CAM COVER STICKERS TO COVER ALL EXPOSED KLIX CAMS ON ALL COMPONENTS.







C(28X)



Note: If using on an end, Use "C" cam cover stickers to cover additional holes on 17 and/or 18 .

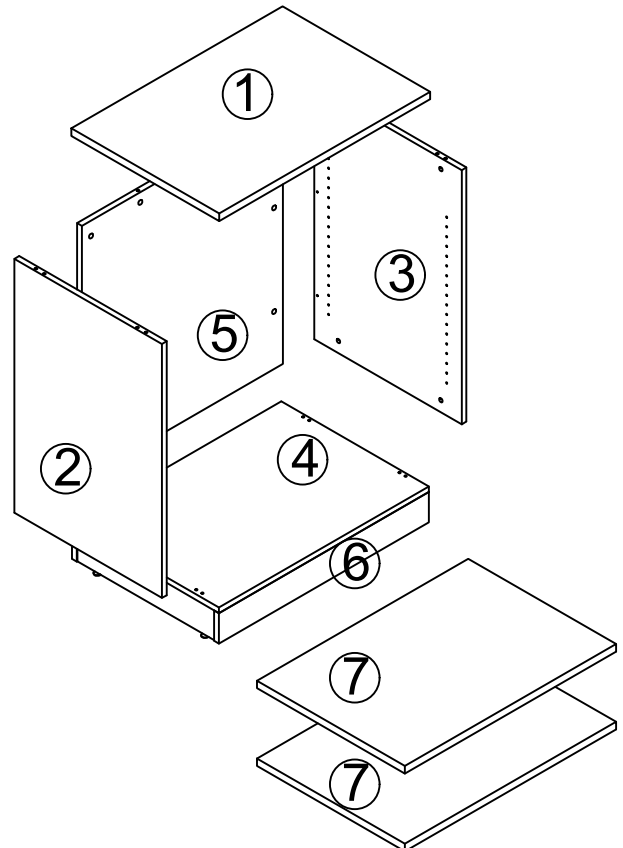




Assembly HARDWARE				
S/N	PICTURE	NAME	TOTAL QTY	REMARK
A		CAM SCREW	18+1(SPARE)	
B		KLIX CAM	18+1(SPARE)	
C		CAM COVER STICKER	18+1(SPARE)	use cam covers to cover any klix cam screws
D		WOOD DOWEL	12+1(SPARE)	
E		LEVELER	4PCS	
F		SHELF PEG	8+1(SPARE)	

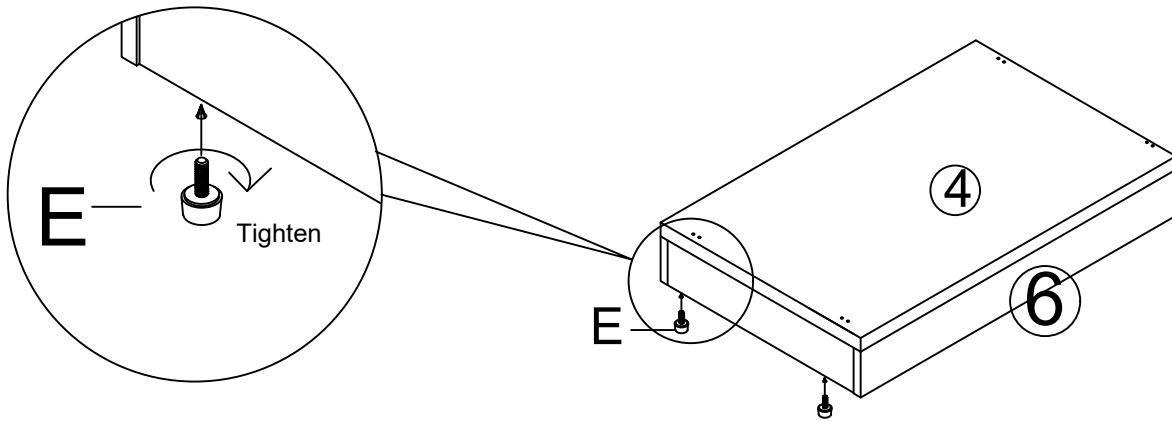
## PARTS LIST

- ① TOP PANEL
- ② LEFT SIDE PANEL
- ③ RIGHT SIDE PANEL
- ④ BOTTOM PANEL
- ⑤ BACK PANEL
- ⑥ BASE SUPPORT
- ⑦ SHELF (2)



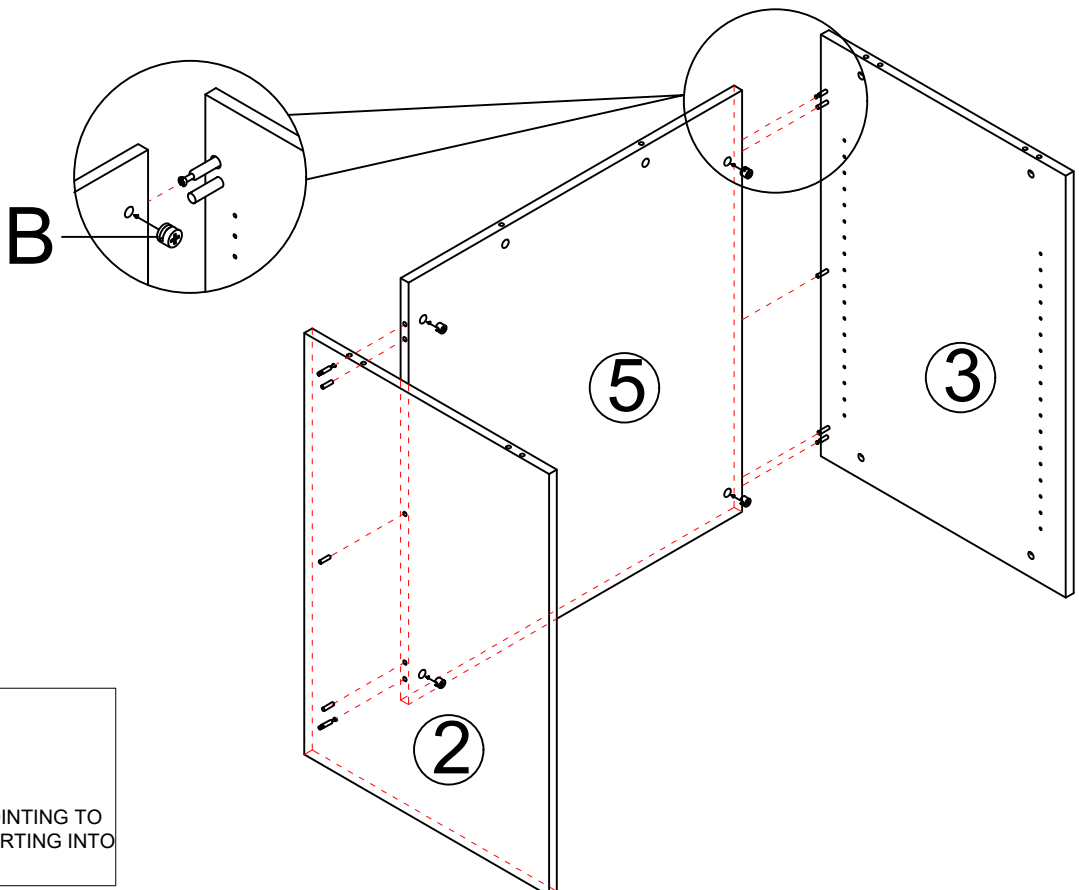


1. INSTALL THE "E" LEVELERS ON THE BOTTOM OF BASE SUPPORT ⑥.  
E(4x)



2. INSTALL "A" CAM SCREWS AND "D" DOWELS INTO SIDE PANEL ③ AND "B" KLIX CAMS INTO BACK PANEL ⑤ . CONNECT PANEL ③ TO ⑤ . TIGHTEN. REPEAT STEP TO CONNECT ② TO ⑤.

- A (4x)
- B (4X)
- D(6X)



IMPORTANT:

**FUNCTION OF KLIX CAM**

1/4 RIGHT TURN FOR LOCKING

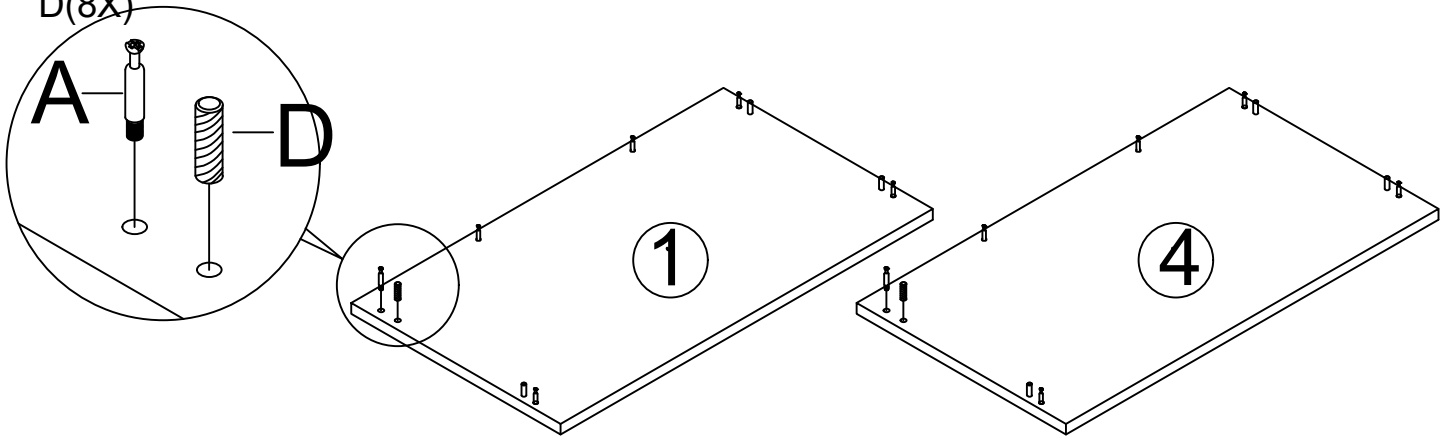
MAKE SURE THE ARROW IS POINTING TO THE OPEN HOLE BEFORE INSERTING INTO THE PANELS HOLE



3. INSTALL "A" CAM SCREWS AND "D" DOWELS ON UNDERSIDE OF TOP ① & BOTTOM PANEL ④ .

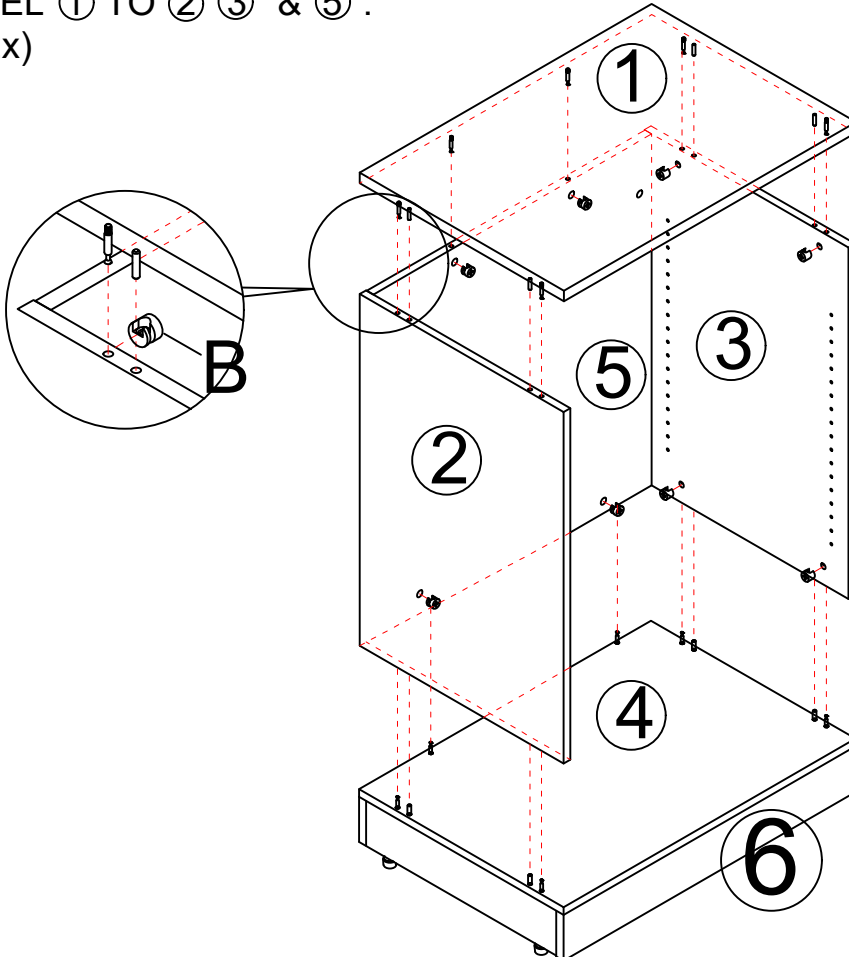
A(12x)

D(8X)



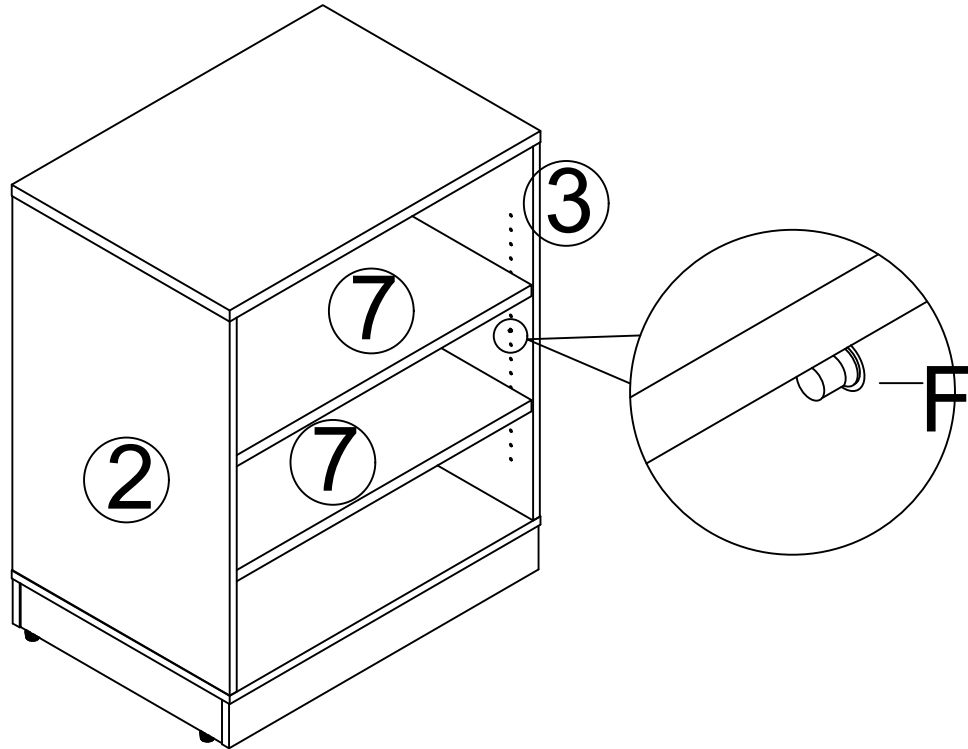
4. INSTALL "B" KLIX CAMS INTO SIDE PANELS ② ③ & ⑤. THEN CONNECT BOTTOM PANEL ④ TO ② ③ & ⑤. TIGHTEN. REPEAT STEP TO CONNECT TOP PANEL ① TO ② ③ & ⑤ .

B(12x)

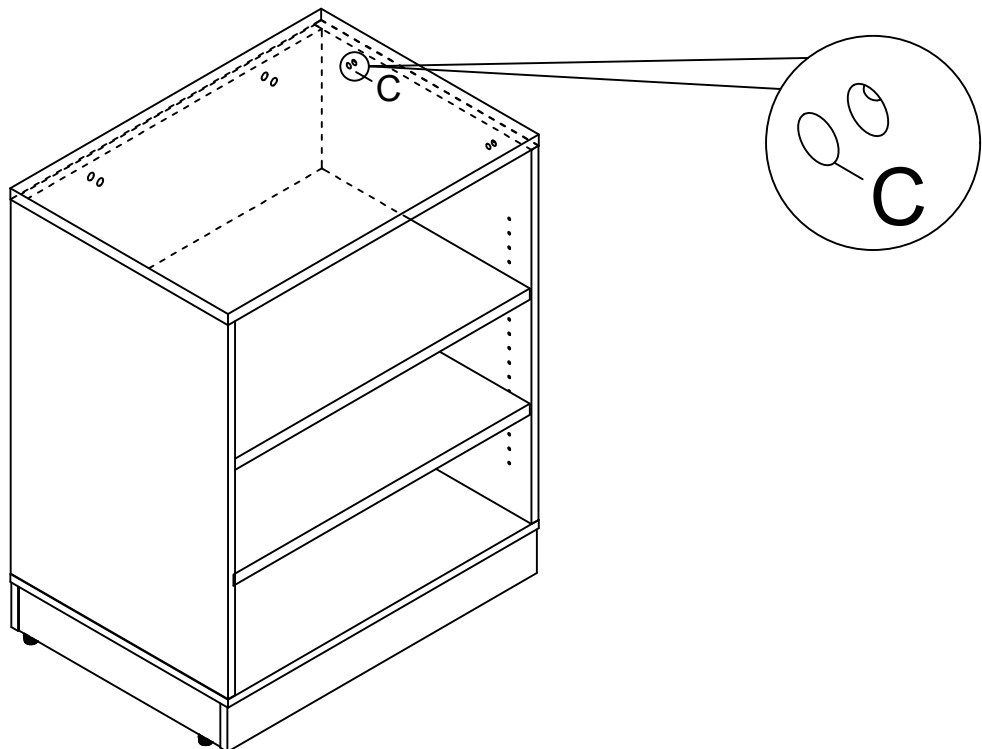




5. INSERT "F" SHELF PEGS INTO SIDE PANELS ② AND ③ . SET SHELVES ⑦ ON TOP OF PEGS.  
F(8X)



6. USE "C" CAM COVER STICKERS TO COVER ALL EXPOSED KLIX CAMS.  
C(18X)





## 7.COMPLETED

