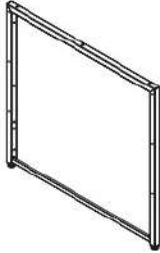


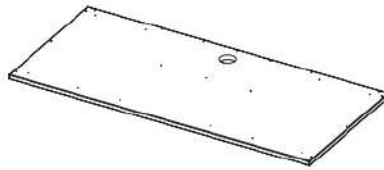


COMPONENTS

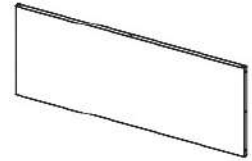
(A) 30" End Panel*2pcs



(B) 66"x30" Table Top*1pc



(C) Modesty Panel*1pc



(D) 29" Pedestal*2pcs



HARDWARE

(a) Self-tapping

Screw 4*10mm-14pcs



(b) Self-tapping

Screw #10*3/4"-3pcs



(c) Screw

M6*12mm-4pcs



(d) Screw

M6*40mm-6pcs



(e) M6 Washer-6pcs



(f) Shoulder Rivet-8pcs



(g) Flat Head Screw #10*1" -8pcs



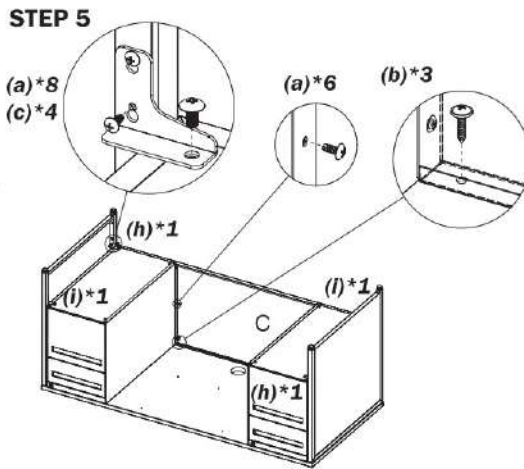
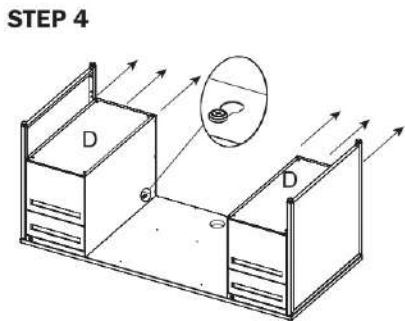
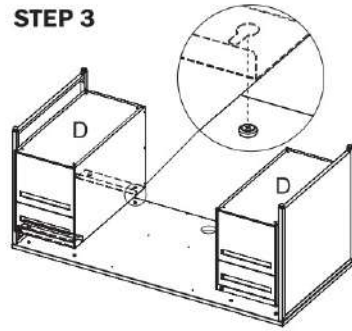
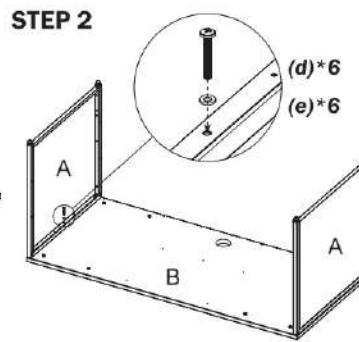
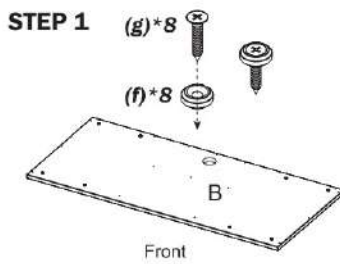
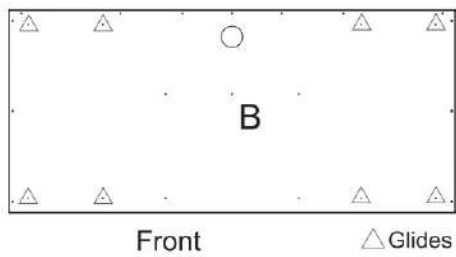
(h) Bracket*2pcs



(i) Bracket*2pcs



INSTRUCTIONS FOR 66"x30" TABLE



FINISH

