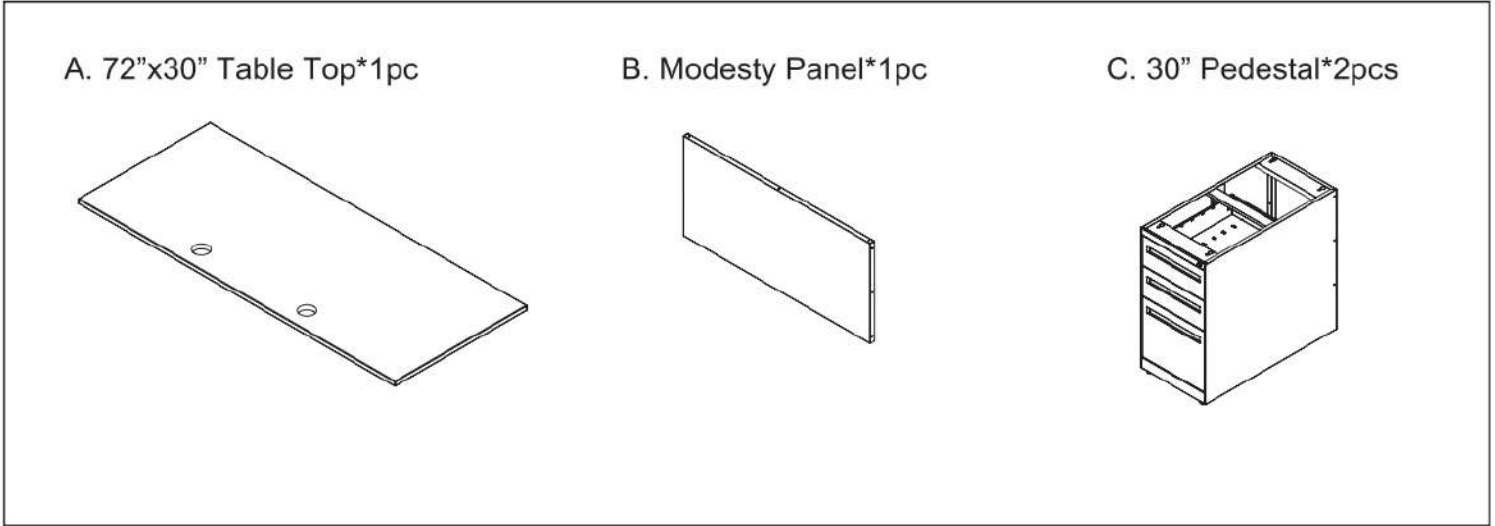
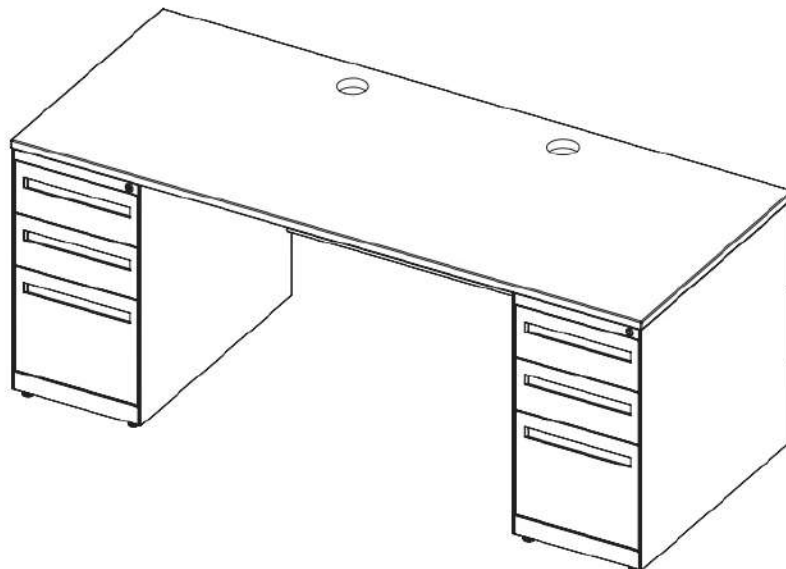
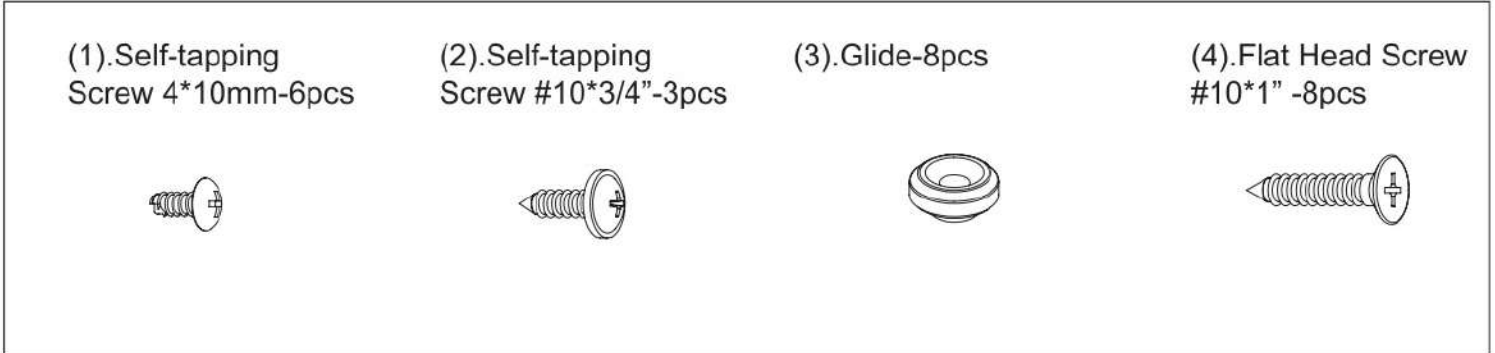




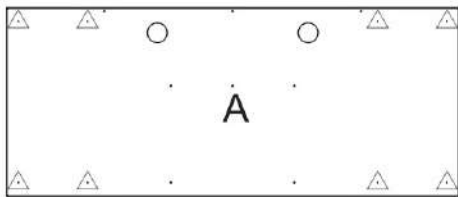
## COMPONENTS



## HARDWARE & TOOLS

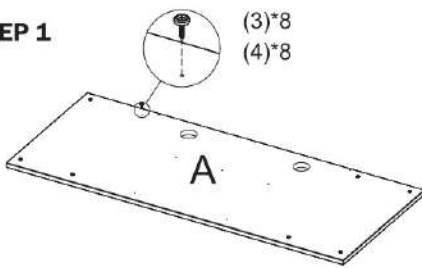


INSTRUCTIONS FOR 72"x30" DESK

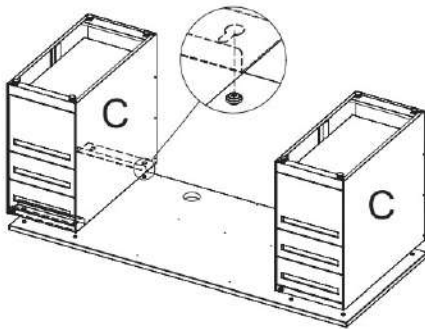


Front ▲Glide holes

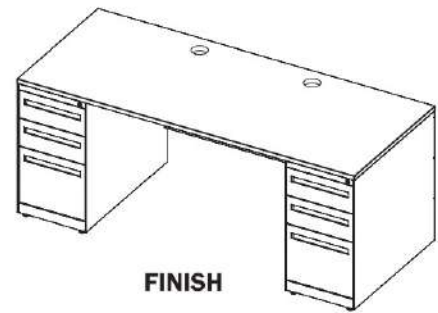
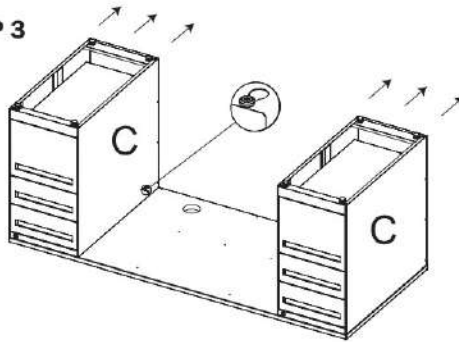
**STEP 1**



**STEP 2**



**STEP 3**



**FINISH**

**STEP 4**

