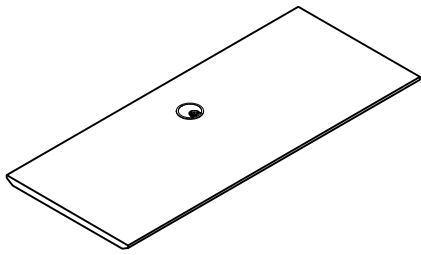


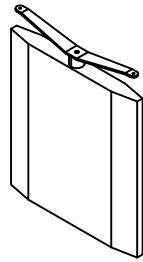
Congratulations on the purchase of your new *Signature Series* product!

COMPONENTS

(A) Top Panel-1pc

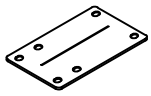


(B) Base Leg-1pc



HARDWARE & TOOLS

(C) Mntg Bracket
150*90*3mm-4pcs



(D) Phillips Screw
M6X15mm-25pcs



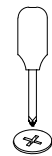
(E) Allen Screw
M6X15mm-3pcs



(F) Allen Wrench 4mm-1pc Tools Required for Assembly



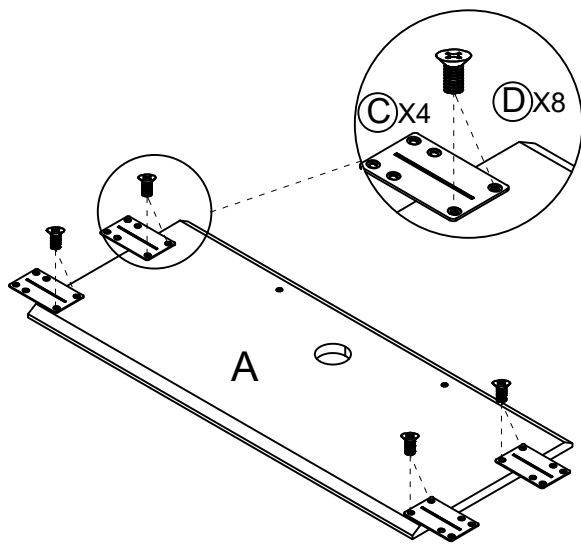
NOTE:
Hardware is packed
with carton **ALBB**



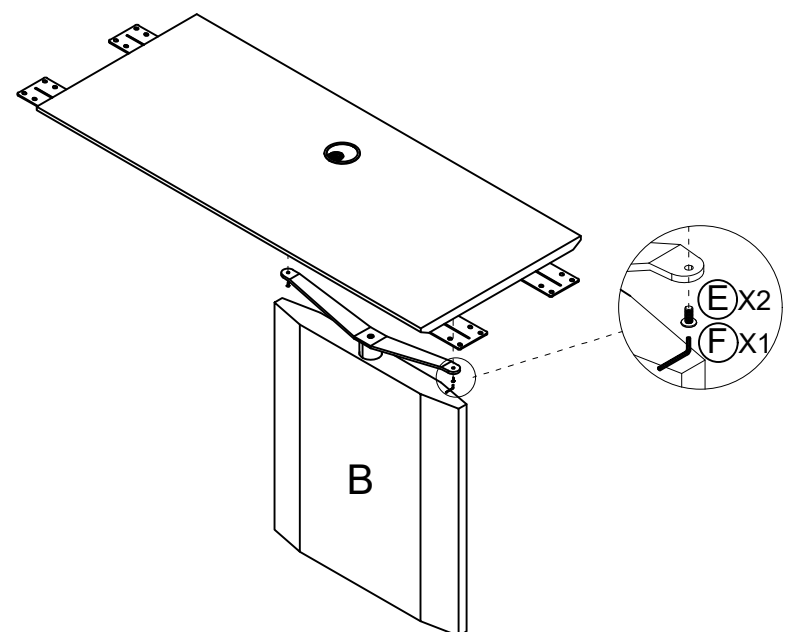
Phillips Screw Driver for
(D) Screw Ø6X15mm

INSTRUCTIONS - We don't recommend using power tools when installing Cam Posts.

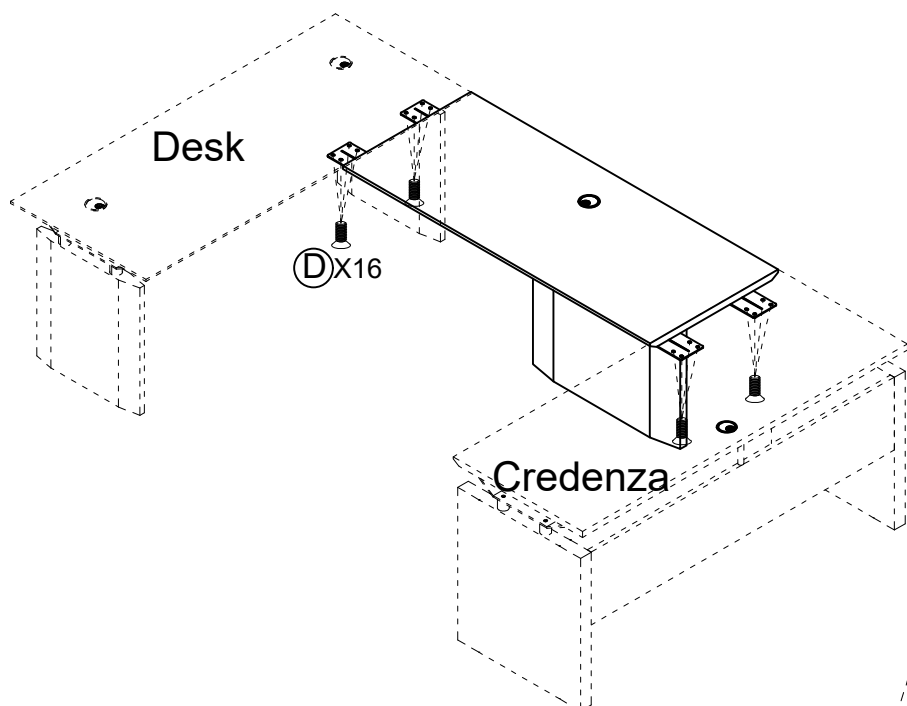
STEP 1



STEP 2



STEP 3 - Install Right or Left Side



OR

