
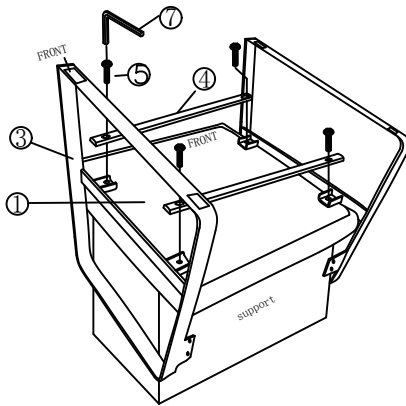
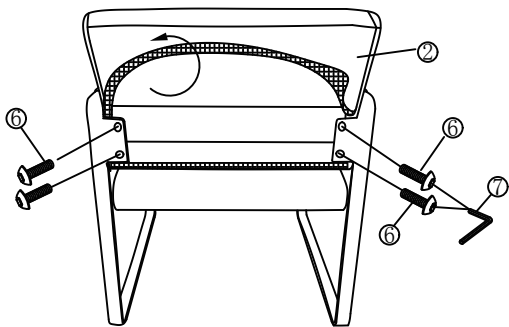
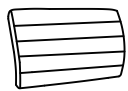

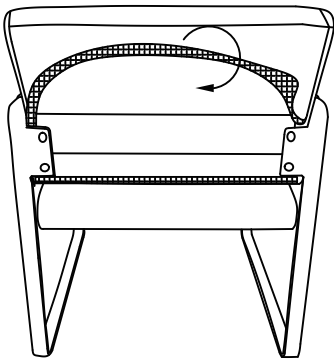
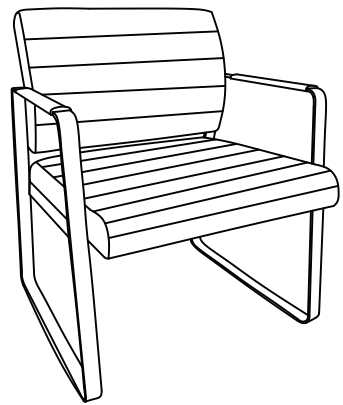






Congratulations on the purchase of your new *Signature Series* chair!

**PARTS** – remove all the parts from the carton and verify part quantities as indicated on this parts list.

<p>①</p>  <p>SEAT CUSHION-QTY: 1</p>	<p>STEP 1</p> 	<p>STEP 2</p> 
<p>②</p>  <p>BACK CUSHION-QTY: 1</p>		
<p>③</p>  <p>SIDE FRAME-QTY: 2</p>	<p>STEP 3</p> 	<p>STEP 4</p> 
<p>④</p>  <p>SIDE FRAME-QTY: 2</p>		
<p>⑤</p>  <p>1/4" x 1-1/2" SCREW-QTY: 4</p>	<p><b>IMPORTANT:</b> This chair is to be used by one person at a time. Be sure all screws are securely tightened. Save the wrench and periodically tighten the screws. Do not lean the chair back on one side use the chair as a stepladder. Use this chair for its intended purpose only.</p> <p>CUSTOMER SERVICE HOTLINE 800-558-1010</p>	
<p>⑥</p>  <p>1/4" x 1-1/4" SCREW-QTY: 4</p>		
<p>⑦</p>  <p>ALLEN KEY-QTY: 1</p>		