



23803



HIGH PROFILE LED BEACON

Features

- Permanent mount
- Anodized aluminum open base
- Polycarbonate lens and dome with UV inhibitors
- Other colours available
- 12-24 Volts DC operation



Switch 766163
(sold separately)

Recommended Mounting Solution

Installation accessories sold separately.
All metal brackets are powder coated and come with stainless steel hardware.



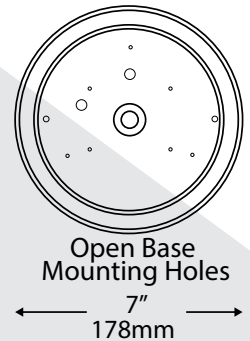
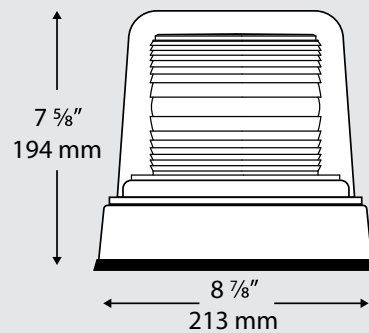
98004
Passenger Side



98005
Driver Side



98011
Mounting Plate
No Arm



FLEET

- 5 year warranty

Part #	Dome/Lens	SAE	# Patterns
--------	-----------	-----	------------

200A-12V-A	Clear/Amber	Class 1	3
------------	-------------	---------	---



FLEETPLUS

- BatteryCheck™
- AutoDim™
- Synchronization
- 10 year warranty

Part #	Dome/Lens	SAE	# Patterns
--------	-----------	-----	------------

23803	Clear/Amber	Class 1	15
-------	-------------	---------	----