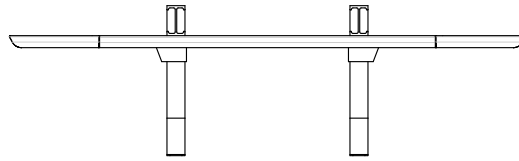
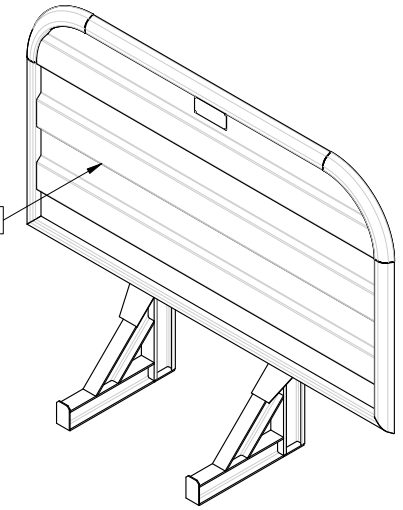


2

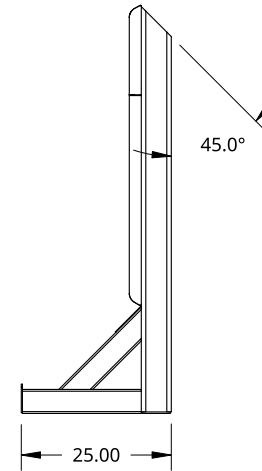
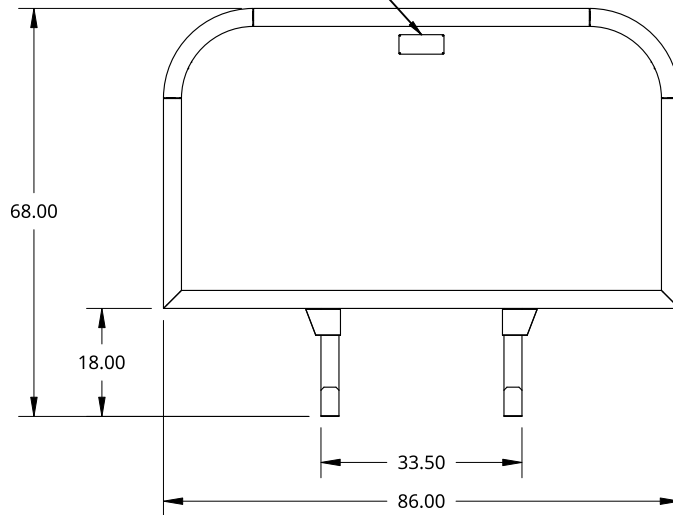
1



1/8 ALU CHECKER PANEL



TREBOR NAME PLATE APPROX. LOCATION





B

B

A

A

| | | | | | |
|--|--|---|----------------------------|---|-------------------------|
| <small>THIS DOCUMENT IS THE PROPERTY OF TREBOR MANUFACTURING. ANY UNAUTHORIZED REPRODUCTION WILL BE PROSECUTED TO THE FULL EXTENT OF THE LAW</small> | |  | | PART NO. TRRC6886 | REV. C |
| <small>UNLESS OTHERWISE SPECIFIED, DIMENSIONS ARE IN INCHES .XX = ±.1- .XXX = ±.015- .XXXX = ±.005-</small> | | <small>ANGULAR = ±1° FRACTIONAL = ±1/8</small> | | STANDARD CAB SHIELD - 68 X 86 - 1/8 ALU CHECKER PANEL - ROUND CORNERS | |
| THIRD ANGLE PROJECTION  | | DRAWN SHAWN CROCKER | 08/24/2021 | SIZE A | DWG NO. D4632 |
| MATERIAL ALUMINUM | | SCALE 1:32 | WEIGHT 148.39 LB | SHEET 1 of 1 | REV. B |

2

1