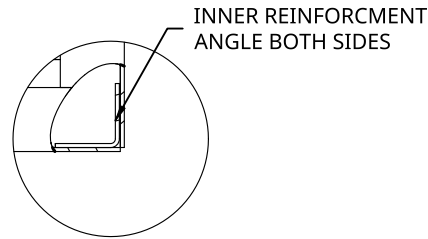


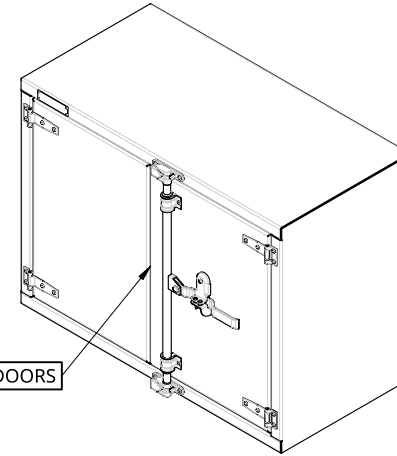
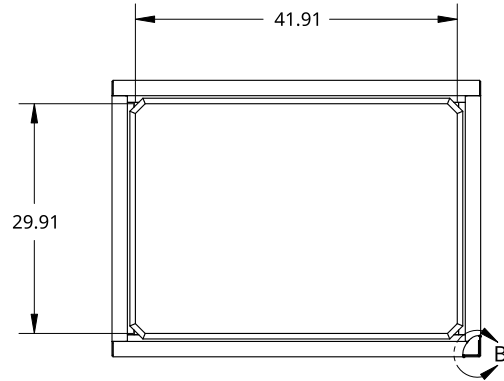
2

1



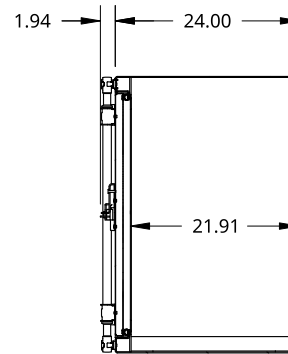
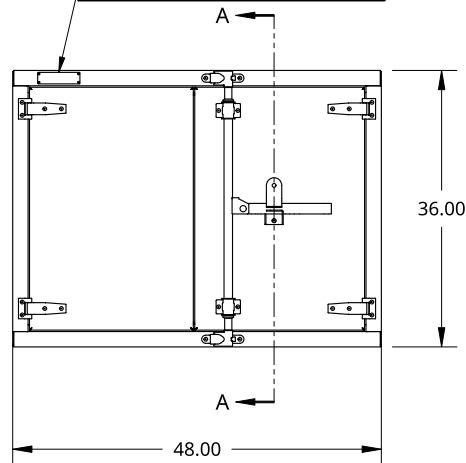
DETAIL B  
SCALE 1:6

INNER REINFORCEMENT  
ANGLE BOTH SIDES



18G SS MIRROR 304 DOORS

SMALL SIZE TREBOR NAME PLATE



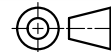
SECTION A - A

THIS DOCUMENT IS THE PROPERTY OF TREBOR  
MANUFACTURING. ANY UNAUTHORIZED REPRODUCTION  
WILL BE PROSECUTED TO THE FULL EXTENT OF THE LAW

UNLESS OTHERWISE SPECIFIED,  
DIMENSIONS ARE IN INCHES

.XX = ±.1-  
.XXX = ±.015- ANGULAR = ±1°  
.XXXX = ±.005- FRACTIONAL = ±1/8

THIRD ANGLE PROJECTION



DRAWN BY	SHAWN CROCKER	10/13/2021
CHANGED BY	RAUL MANRIQUE	08/02/2022

MATERIAL  
1/8 ALU MILL

PART NO. TRPLSS3648P REV. C

TWO DOOR RECESSED DOOR TOOL BOX - 24 X 36 X 48 - 18G SS MIRROR  
DOORS - COMPRESSION LOCK - OPEN RIGHT

SIZE A DWG NO. D5957 REV. D

SCALE 1:25 WEIGHT 120.83 LB SHEET 1 of 1

2

1

B

A

B

A