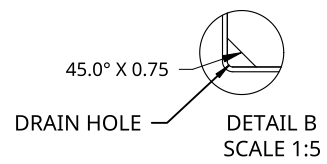
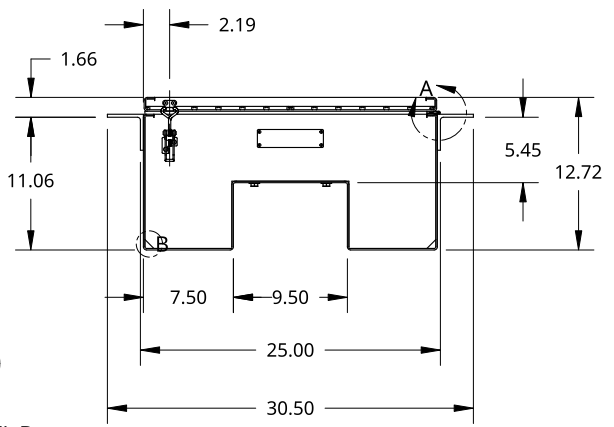
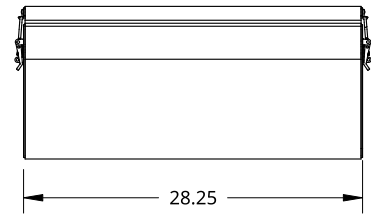
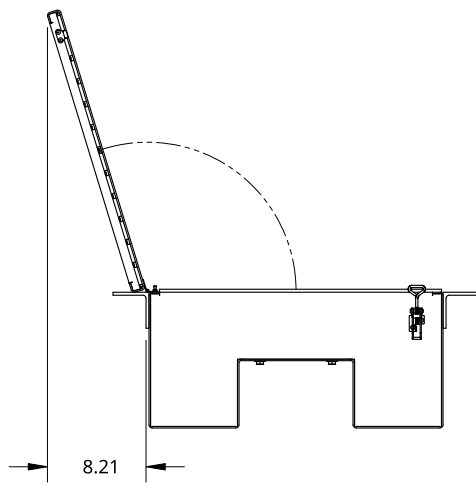
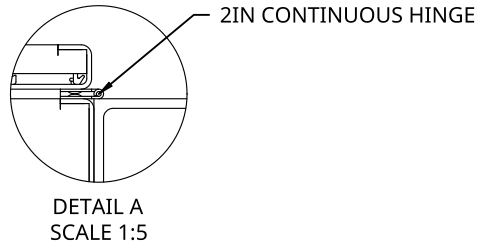
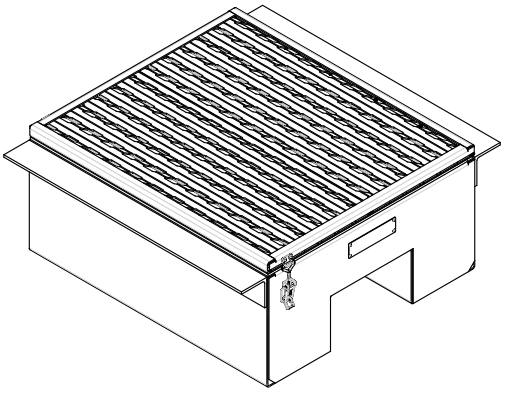
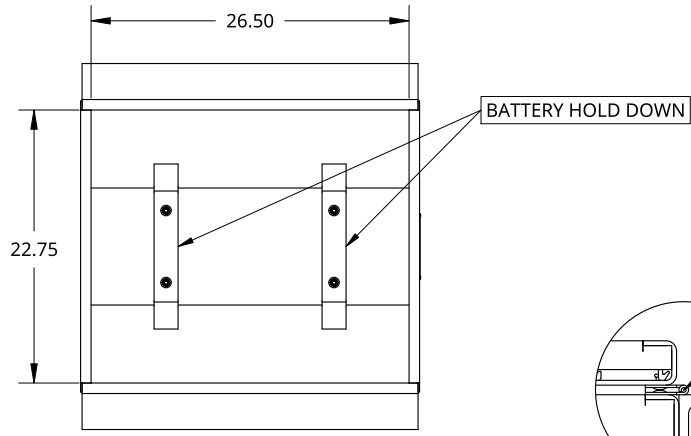


2

1

B

B



A

A

2

1

<small>THIS DOCUMENT IS THE PROPERTY OF TREBOR MANUFACTURING. ANY UNAUTHORIZED REPRODUCTION WILL BE PROSECUTED TO THE FULL EXTENT OF THE LAW</small>				PART NO. TRPLBAT281225HD	REV. A1
<small>UNLESS OTHERWISE SPECIFIED, DIMENSIONS ARE IN INCHES .XX = ±.1- .XXX = ±.015- .XXXX = ±.005- ANGULAR = ±1° FRACTIONAL = ±1/8</small>		DRAWN SHAWN CROCKER 08/03/2021		BETWEEN FRAME BATTERY BOX - HINGED GRIP STRUT LID	
THIRD ANGLE PROJECTION 		MATERIAL 1/8 ALU MILL		SIZE A	DWG NO. D10689
		SCALE 1:16	WEIGHT 59.22 LB	SHEET 1 of 1	REV. A