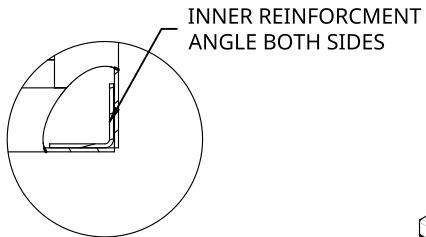
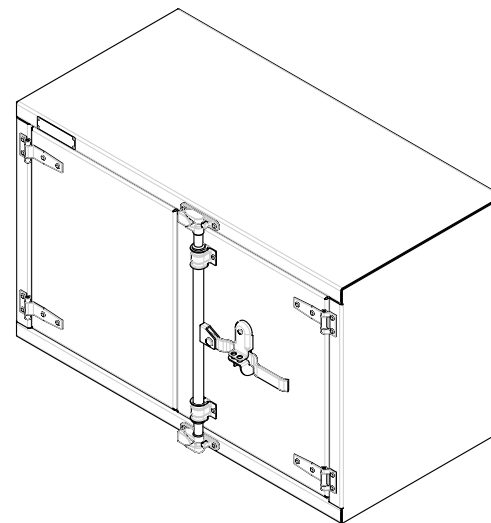
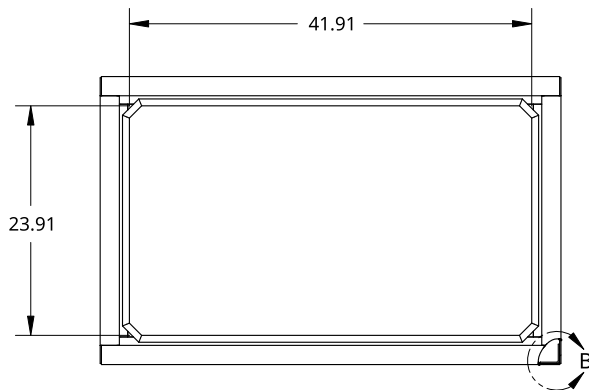


2

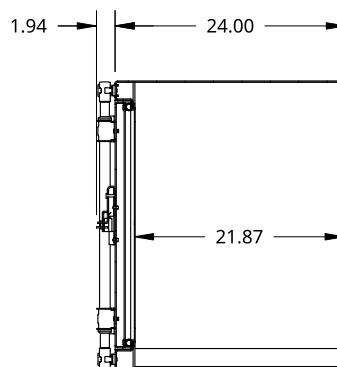
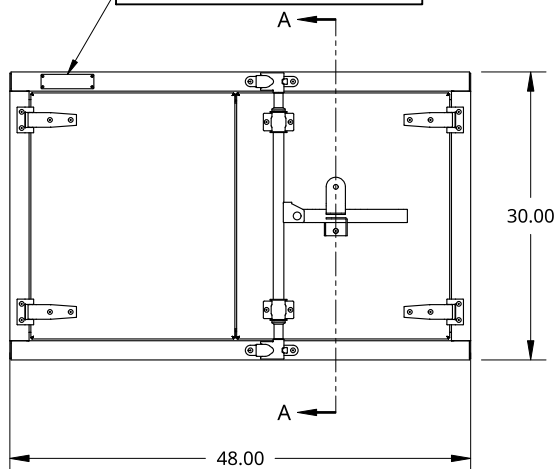
1



DETAIL B
SCALE 1:6



SMALL SIZE TREBOR NAME PLATE



SECTION A - A

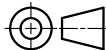
THIS DOCUMENT IS THE PROPERTY OF TREBOR MANUFACTURING. ANY UNAUTHORIZED REPRODUCTION WILL BE PROSECUTED TO THE FULL EXTENT OF THE LAW

UNLESS OTHERWISE SPECIFIED, DIMENSIONS ARE IN INCHES

.XX = ±.1-
 .XXX = ±.015-
 .XXXX = ±.005-

ANGULAR = ±1°
 FRACTIONAL = ±1/8

THIRD ANGLE PROJECTION



DRAWN BY	SHAWN CROCKER	10/13/2021
CHANGED BY	RAUL MANRIQUE	08/02/2022

MATERIAL
1/8 ALU MILL

PART NO.	TRPL3048P	REV.	B
----------	-----------	------	---

TWO DOOR RECESSED DOOR TOOL BOX - 24 X 30 X 48 - COMPRESSION LOCK - OPEN RIGHT

SIZE	A	DWG NO.	D5813	REV.	B
------	---	---------	-------	------	---

SCALE	1:20	WEIGHT	106.87 LB	SHEET	1 of 1
-------	------	--------	-----------	-------	--------

2

1