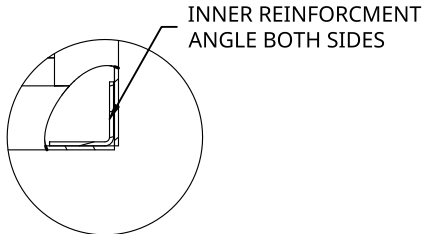
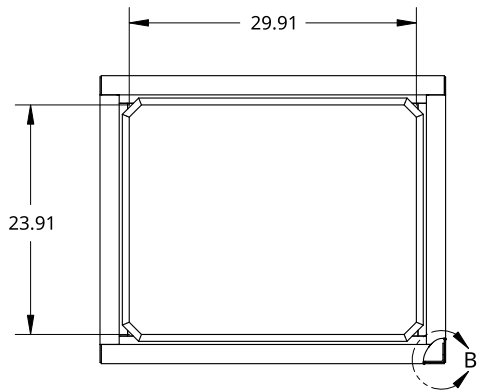
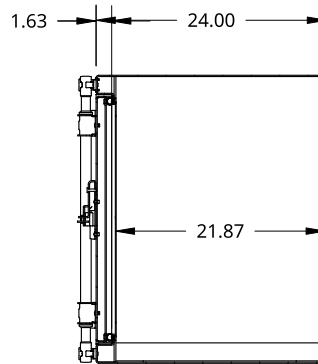
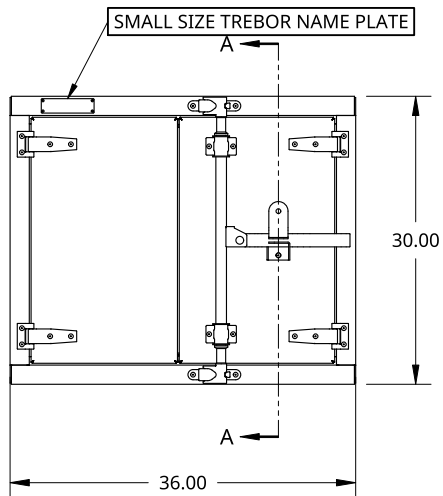
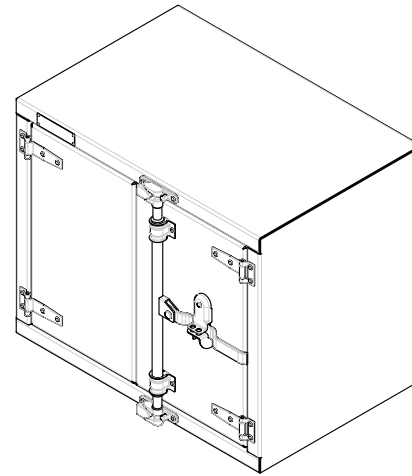


2


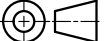
1



DETAIL B
SCALE 1:6



SECTION A - A

| | | | | | | |
|---|--|---|--|--|-----------------|--|
| THIS DOCUMENT IS THE PROPERTY OF TREBOR MANUFACTURING. ANY UNAUTHORIZED REPRODUCTION WILL BE PROSECUTED TO THE FULL EXTENT OF THE LAW | |  | | PART NO. TRPL3036P | | REV. C |
| UNLESS OTHERWISE SPECIFIED, DIMENSIONS ARE IN INCHES .XX = ±.1- .XXX = ±.015- .XXXX = ±.005- | | | | DRAWN BY SHAWN CROCKER 10/13/2021 CHANGED BY RAUL MANRIQUE 08/02/2022 | | TWO DOOR RECESSED DOOR TOOL BOX - 24 X 30 X 36 - COMPRESSION LOCK - OPEN RIGHT |
| THIRD ANGLE PROJECTION | | MATERIAL | | SIZE A | DWG NO. D5795 | REV. B |
|  | | 1/8 ALU MILL | | SCALE 1:20 | WEIGHT 89.43 LB | SHEET 1 of 1 |

2

1

B

B

A

A