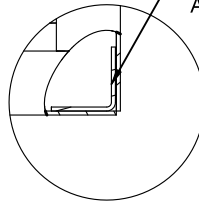


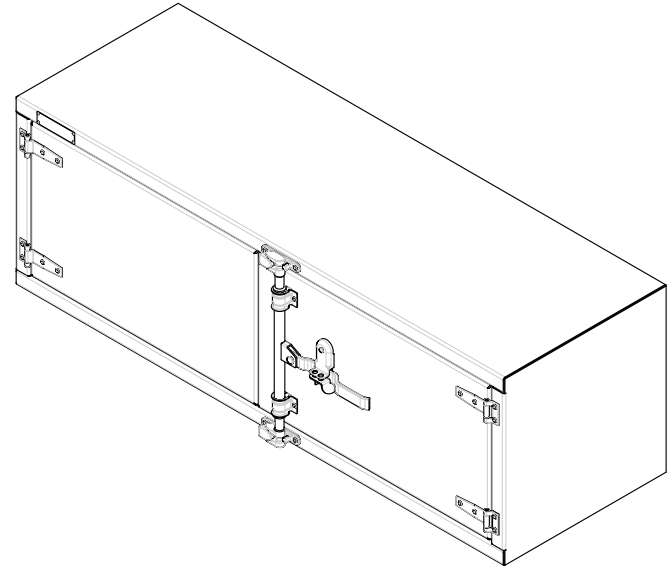
2

1

INNER REINFORCEMENT
ANGLE BOTH SIDES

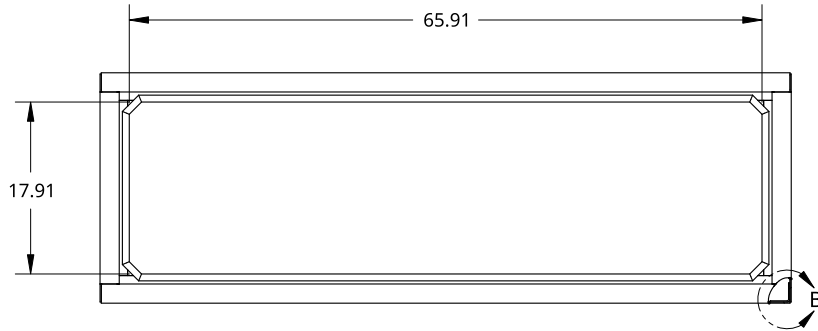


DETAIL B
SCALE 1:6

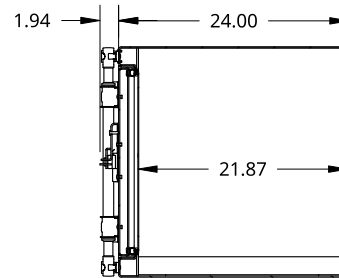
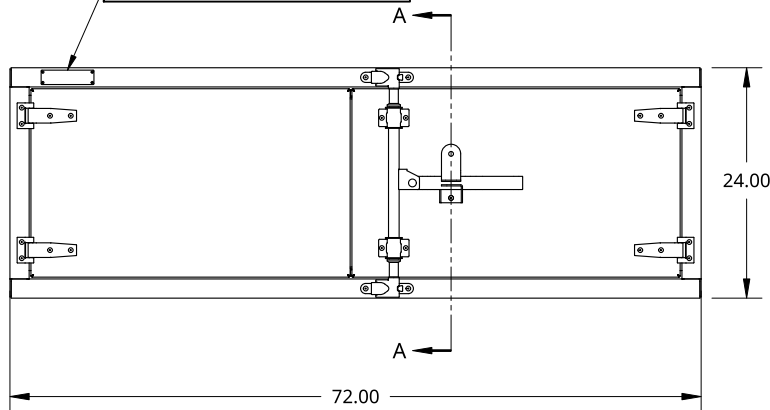


B

B



SMALL SIZE TREBOR NAME PLATE



SECTION A - A

A

A

THIS DOCUMENT IS THE PROPERTY OF TREBOR MANUFACTURING. ANY UNAUTHORIZED REPRODUCTION WILL BE PROSECUTED TO THE FULL EXTENT OF THE LAW



PART NO. TRPL2472P REV. B

UNLESS OTHERWISE SPECIFIED, DIMENSIONS ARE IN INCHES

.XX = ±.1-
.XXX = ±.015- ANGULAR = ±1°
.XXXX = ±.005- FRACTIONAL = ±1/8

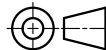
DRAWN BY SHAWN CROCKER 10/13/2021
CHANGED BY RAUL MANRIQUE 08/02/2022

TWO DOOR RECESSED DOOR TOOL BOX - 24 X 24 X 72 - COMPRESSION LOCK - OPEN RIGHT

THIRD ANGLE PROJECTION

MATERIAL

SIZE A DWG NO. D5776 REV. B



1/8 ALU MILL

SCALE 1:20 WEIGHT 124.9 LB SHEET 1 of 1

2

1