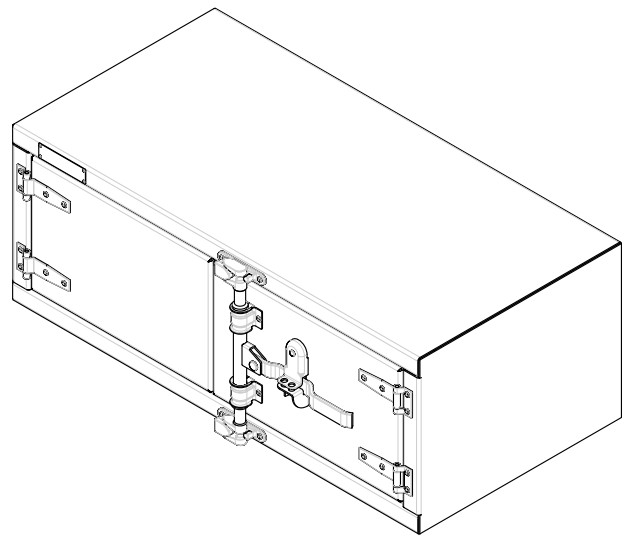
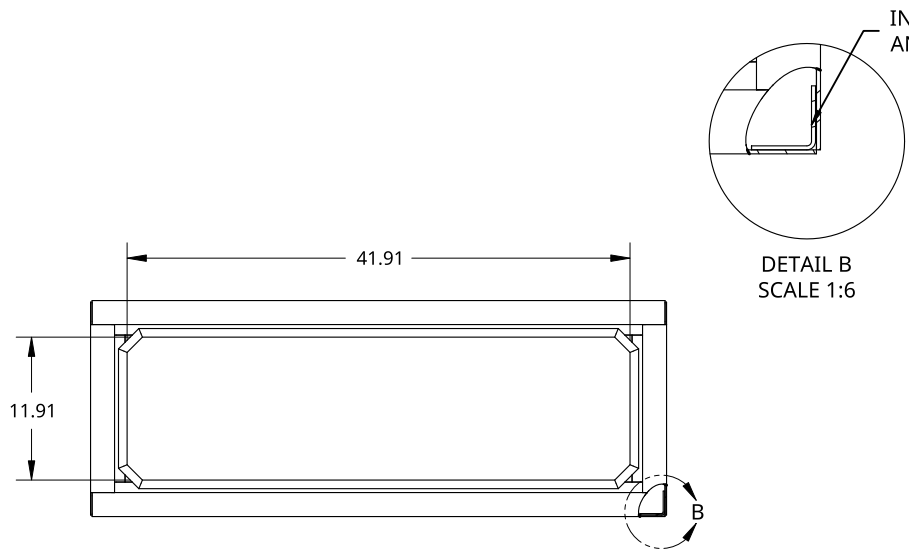


2

1

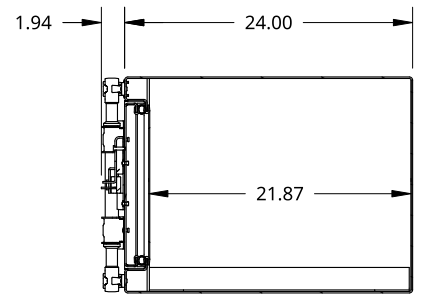
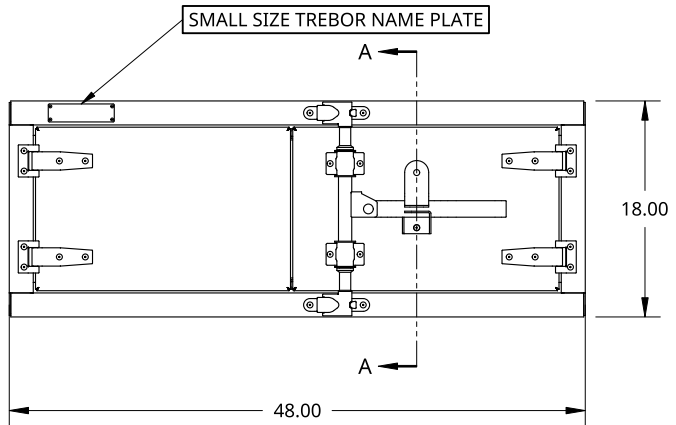
B

B



A

A



SECTION A - A

<small>THIS DOCUMENT IS THE PROPERTY OF TREBOR MANUFACTURING. ANY UNAUTHORIZED REPRODUCTION WILL BE PROSECUTED TO THE FULL EXTENT OF THE LAW</small>				PART NO. <b>TRPL1848P</b>		REV. <b>B</b>
<small>UNLESS OTHERWISE SPECIFIED, DIMENSIONS ARE IN INCHES</small> <small>.XX = ±.1- ANGULAR = ±1°</small> <small>.XXX = ±.015- FRACTIONAL = ±1/8</small> <small>.XXXX = ±.005-</small>		<small>DRAWN BY</small> SHAWN CROCKER <small>10/13/2021</small>	<small>CHANGED BY</small> RAUL MANRIQUE <small>08/02/2022</small>	TWO DOOR RECESSED DOOR TOOL BOX - 24 X 18 X 48 - COMPRESSION LOCK - OPEN RIGHT		
<small>THIRD ANGLE PROJECTION</small> 		<small>MATERIAL</small> <b>1/8 ALU MILL</b>		<small>SIZE</small> <b>A</b>	<small>DWG NO.</small> <b>D5562</b>	REV. <b>B</b>
		<small>SCALE</small> <b>1:16</b>	<small>WEIGHT</small> <b>78.44 LB</b>	<small>SHEET</small> <b>1 of 1</b>		

2

1