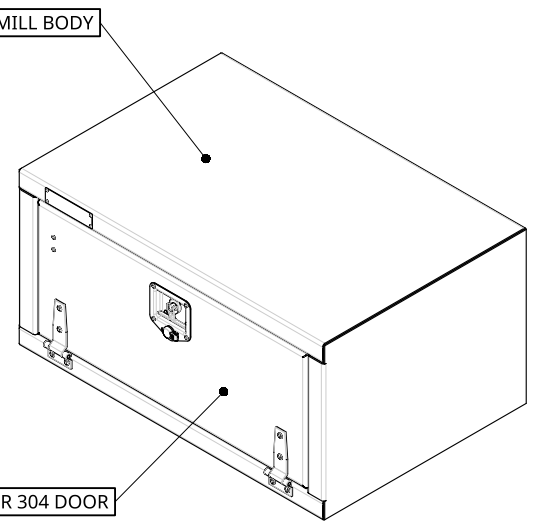
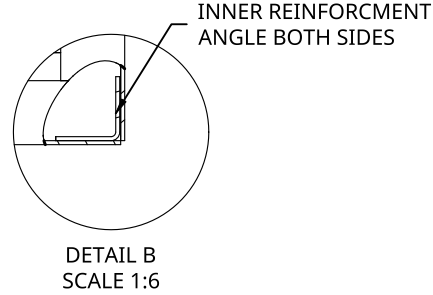
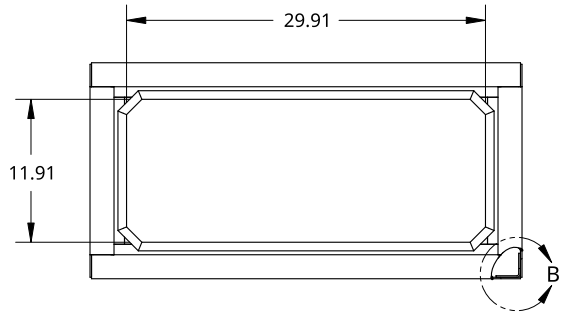
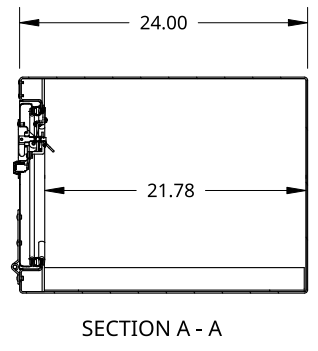
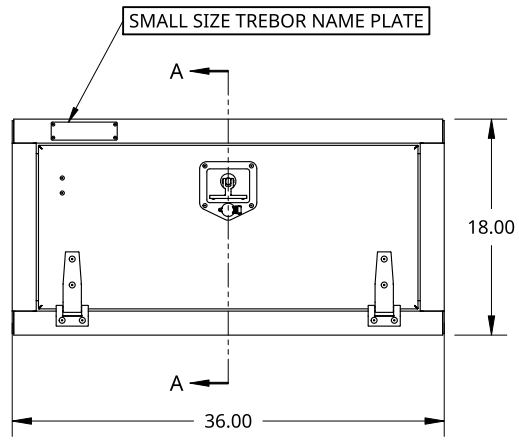
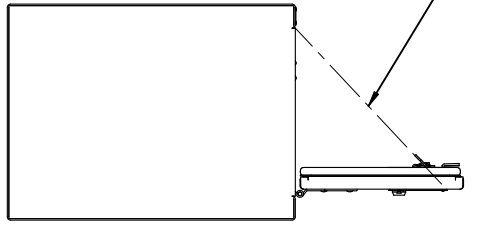


2

1



X1 DOOR CHAIN TO HOLD DOOR AT 90 DEG.



B

B

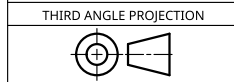
A

A

THIS DOCUMENT IS THE PROPERTY OF TREBOR MANUFACTURING. ANY UNAUTHORIZED REPRODUCTION WILL BE PROSECUTED TO THE FULL EXTENT OF THE LAW



UNLESS OTHERWISE SPECIFIED, DIMENSIONS ARE IN INCHES
 .XX = ±.1-
 .XXX = ±.015- ANGULAR = ±1°
 .XXXX = ±.005- FRACTIONAL = ±1/8



DRAWN BY	SHAWN CROCKER	08/02/2021
CHANGED BY	RAUL MANRIQUE	12/16/2022

MATERIAL
 1/8 ALU MILL BODY, 18G S/S MIRROR DOOR

PART NO. TRIDPLSS1836 REV. B

ONE DOOR RECESSED DOOR TOOL BOX - 24 X 18 X 36 - 18G SS MIRROR DOOR - X1 T-HANDLE - OPEN DOWN

SIZE A DWG NO. D9601 REV. B

SCALE 1:16	WEIGHT 56.4 LB	SHEET 1 of 1
------------	----------------	--------------

2

1