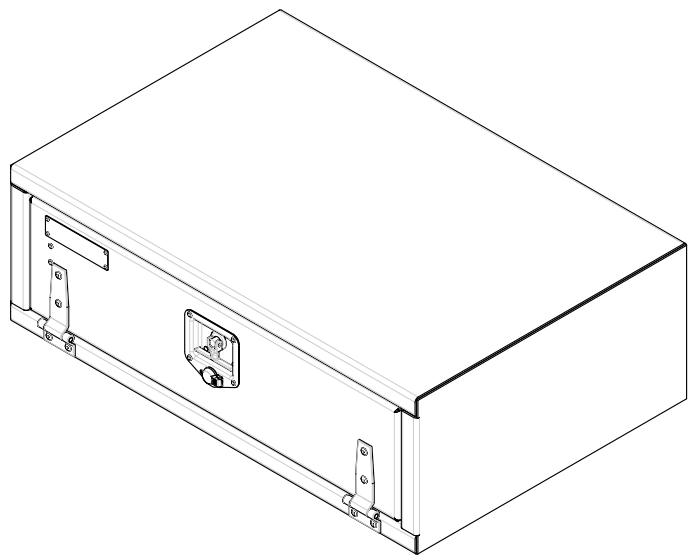
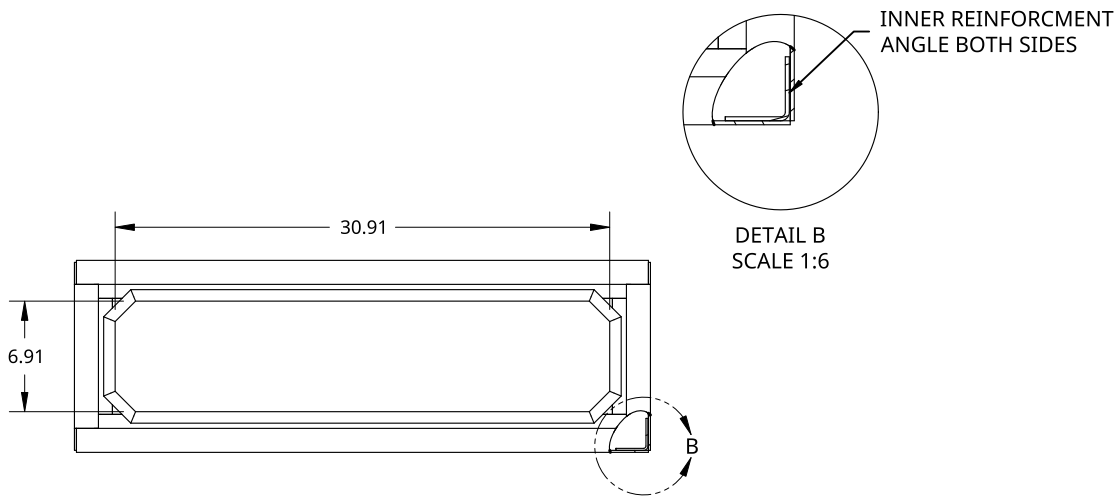


2

1

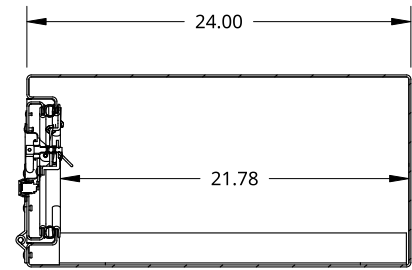
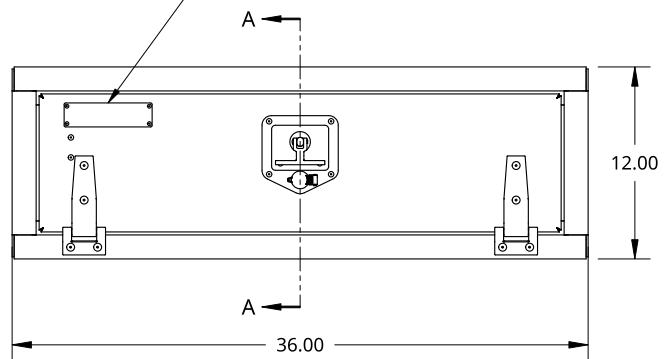
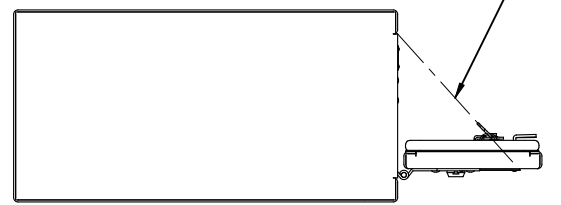
B

B



X1 DOOR CHAIN TO HOLD
DOOR AT 90 DEG.

SMALL SIZE TREBOR NAME PLATE



A

A

THIS DOCUMENT IS THE PROPERTY OF TREBOR
MANUFACTURING. ANY UNAUTHORIZED REPRODUCTION
WILL BE PROSECUTED TO THE FULL EXTENT OF THE LAW



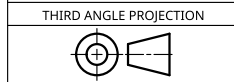
PART NO. TRIDPL1236

REV. B

UNLESS OTHERWISE SPECIFIED,
DIMENSIONS ARE IN INCHES
.XX = ±.1-
.XXX = ±.015- ANGULAR = ±1°
.XXXX = ±.005- FRACTIONAL = ±1/8

DRAWN BY	SHAWN CROCKER	08/02/2021
CHANGED BY	SHAWN CROCKER	12/07/2022

ONE DOOR RECESSED DOOR TOOL BOX - 24 X 12 X 36 - X1 T-HANDLE -
OPEN DOWN - WITH 1.5IN FRAME



MATERIAL
1/8 ALU MILL

SIZE A	DWG NO. D9590	REV. B
SCALE 1:12	WEIGHT 47.93 LB	SHEET 1 of 1

2

1