

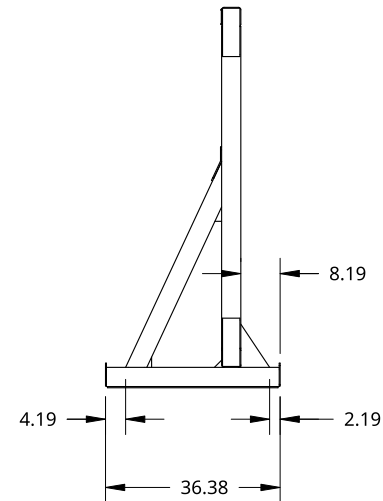
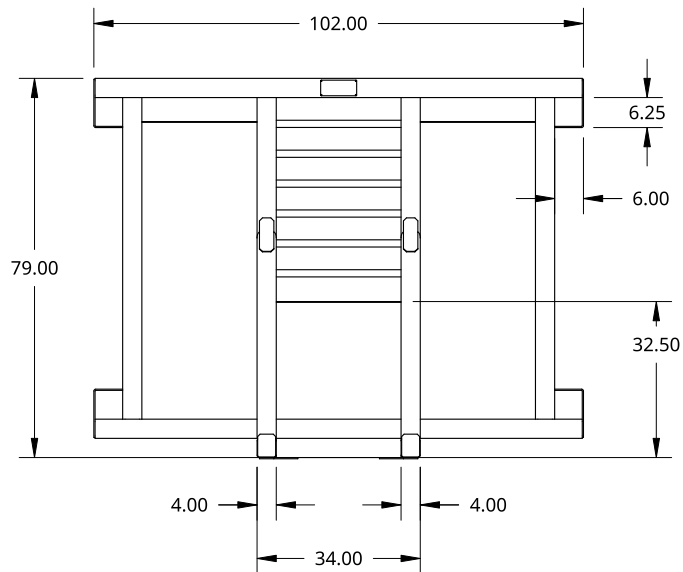
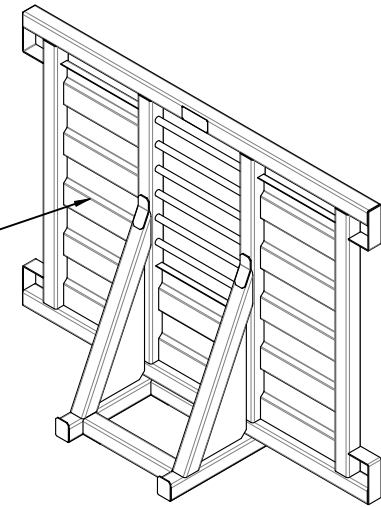
2

1

B

B

1 of ALU CHECKER



A

A

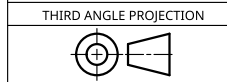
THIS DOCUMENT IS THE PROPERTY OF TREBOR MANUFACTURING. ANY UNAUTHORIZED REPRODUCTION WILL BE PROSECUTED TO THE FULL EXTENT OF THE LAW.



PART NO. TRF79102  
HEAVY DUTY CAB SHIELD FOR USE IN THE LOGGING TRANSPORT INDUSTRY

UNLESS OTHERWISE SPECIFIED, DIMENSIONS ARE IN INCHES  
.XX = ±.1-  
.XXX = ±.015-  
.XXXX = ±.005-  
ANGULAR = ±1°  
FRACTIONAL = ±1/8

DRAWN SHAWN CROCKER 01/07/2021



MATERIAL ALUM. 6061-T6

SIZE	DWG NO.	REV
A	D2095	B
SCALE	WEIGHT	SHEET
1:40	329 LB	1 of 1

2

1