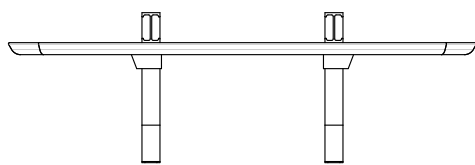
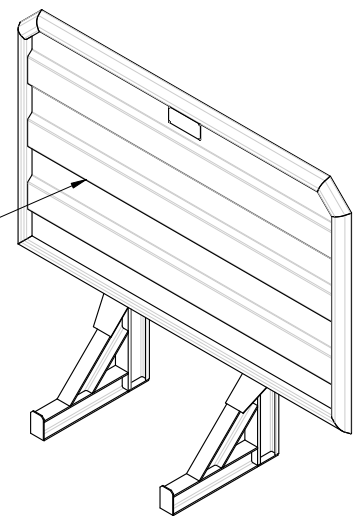


2

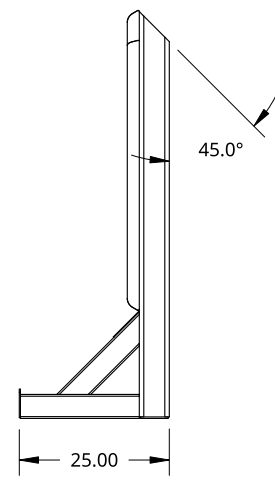
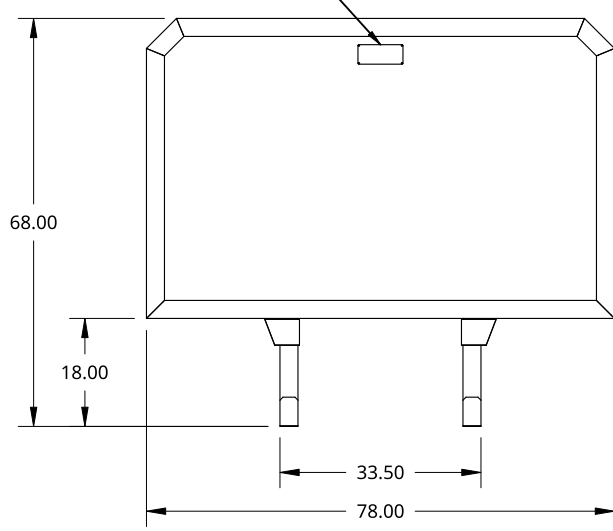
1



1/8 ALU CHECKER PANEL



TREBOR NAME PLATE APPROX. LOCATION





B

B

A

A

<small>THIS DOCUMENT IS THE PROPERTY OF TREBOR MANUFACTURING. ANY UNAUTHORIZED REPRODUCTION WILL BE PROSECUTED TO THE FULL EXTENT OF THE LAW</small>				PART NO. <b>TR6878</b>	REV. <b>D</b>
<small>UNLESS OTHERWISE SPECIFIED, DIMENSIONS ARE IN INCHES          .XX = ±.1-          .XXX = ±.015-          .XXXX = ±.005-</small>		<small>ANGULAR = ±1°          FRACTIONAL = ±1/8</small>		STANDARD CAB SHIELD - 68 X 78 - 1/8 ALU CHECKER PANEL	
DRAWN SHAWN CROCKER	08/23/2021	SIZE <b>A</b>	DWG NO. <b>D4614</b>	REV. <b>C</b>	
THIRD ANGLE PROJECTION 		MATERIAL <b>ALUMINUM</b>		SCALE <b>1:32</b>	WEIGHT <b>138.32 LB</b>
				SHEET <b>1 of 1</b>	

2

1