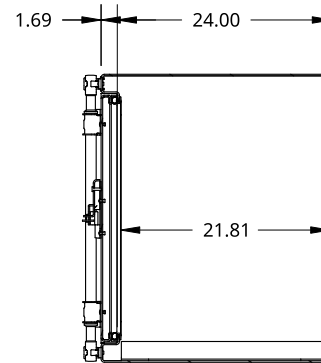
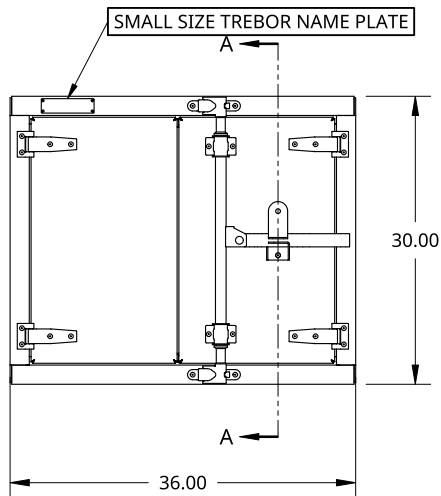
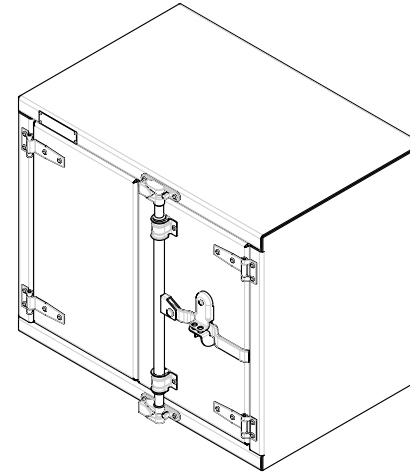
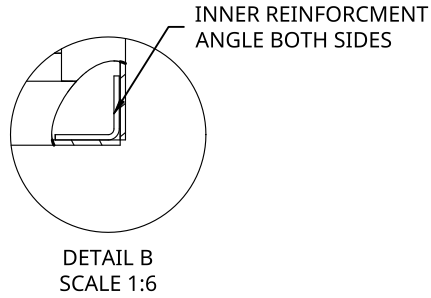
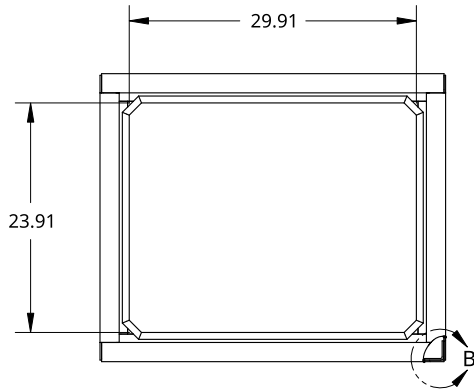

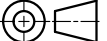


2

1



SECTION A - A

THIS DOCUMENT IS THE PROPERTY OF TREBOR MANUFACTURING. ANY UNAUTHORIZED REPRODUCTION WILL BE PROSECUTED TO THE FULL EXTENT OF THE LAW				PART NO. TR3036P		REV. B
UNLESS OTHERWISE SPECIFIED, DIMENSIONS ARE IN INCHES .XX = ±.1- .XXX = ±.015- .XXXX = ±.005-				DRAWN BY SHAWN CROCKER 09/29/2021 CHANGED BY RAUL MANRIQUE 08/02/2022		TWO DOOR RECESSED DOOR TOOL BOX - 24 X 30 X 36 - COMPRESSION LOCK - OPEN RIGHT
THIRD ANGLE PROJECTION		MATERIAL 1/8 ALU CHECKER		SIZE A	DWG NO. D5521	REV. B
				SCALE 1:20	WEIGHT 94.89 LB	SHEET 1 of 1

2

1

B

B

A

A