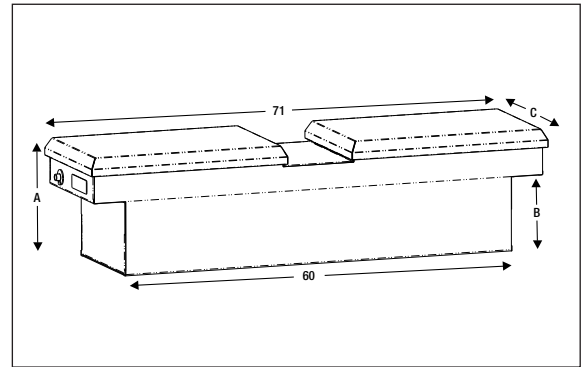


# GULL WING TRUCK TOOL BOXES

- Corrosion resistant diamond tread aluminum construction is durable but lightweight
- Weather resistant seals keep moisture and dirt out of the tool box
- Gas shocks make the lids open and close with a light touch
- Stainless steel push-button locks on either side of the box keep equipment secure and easy to access
- Lockable tray and integrated tool holders make it easy to stay organized
- Pre-drilled mounting holes and included hardware make installation easy



**Redesigned for 2022**



## DIAMOND TREAD



PART NO.	HEIGHT (A/B)	DEPTH (C)	WIDTH	PROD. CAT.	WT. LBS.
1710410*	18/11	20	71/60	530 (Y)	77
1710413*	23/16	20	71/60	530 (Y)	83
1710420*	18/11	27	71/60	530 (Y)	93
1710423*	23/16	27	71/60	530 (Y)	100

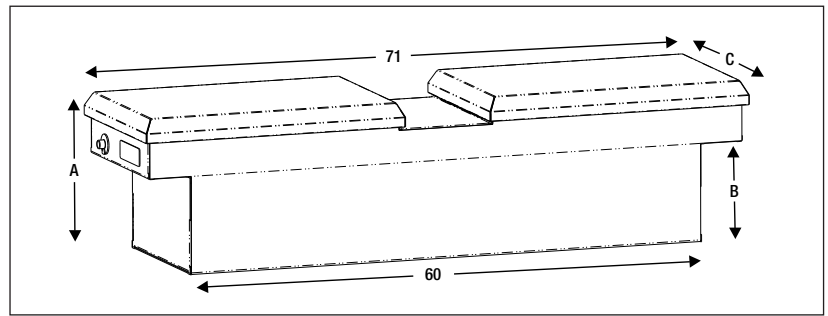
**\* NEW PRODUCTS**

Pricing is consistent with current market conditions and is subject to change without notice. Please login to your account to see the most current pricing.

9049 Tyler Blvd. • Mentor, Ohio 44060  
Phone (440) 974-8888 • Fax (800) 841-8003  
Email: [orders@buyersproducts.com](mailto:orders@buyersproducts.com)

For more information visit [www.buyersproducts.com](http://www.buyersproducts.com)





## BLACK DIAMOND TREAD



PART NO.	HEIGHT (A/B)	DEPTH (C)	WIDTH	PROD. CAT.	WT. LBS.
1720410*	18/11	20	71/60	530 (Y)	77
1720413*	23/16	20	71/60	530 (Y)	83
1720420*	18/11	27	71/60	530 (Y)	93
1720423*	23/16	27	71/60	530 (Y)	100

## TEXTURED MATTE BLACK DIAMOND TREAD



PART NO.	HEIGHT (A/B)	DEPTH (C)	WIDTH	PROD. CAT.	WT. LBS.
1722410*	18/11	20	71/60	530 (Y)	77
1722413*	23/16	20	71/60	530 (Y)	83
1722420*	18/11	27	71/60	530 (Y)	93
1722423*	23/16	27	71/60	530 (Y)	100

\* **NEW** PRODUCTS

Pricing is consistent with current market conditions and is subject to change without notice. Please login to your account to see the most current pricing.

9049 Tyler Blvd. • Mentor, Ohio 44060  
Phone (440) 974-8888 • Fax (800) 841-8003  
Email: [orders@buyersproducts.com](mailto:orders@buyersproducts.com)

For more information visit [www.buyersproducts.com](http://www.buyersproducts.com)

