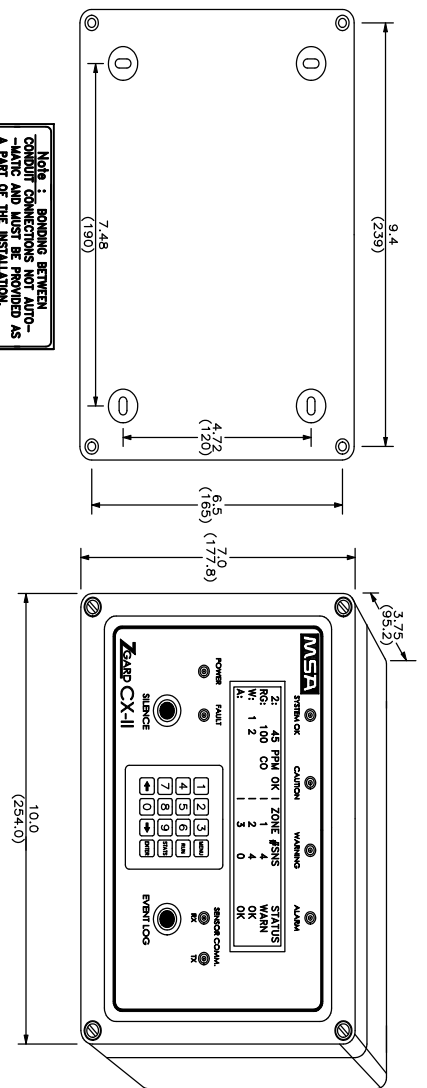
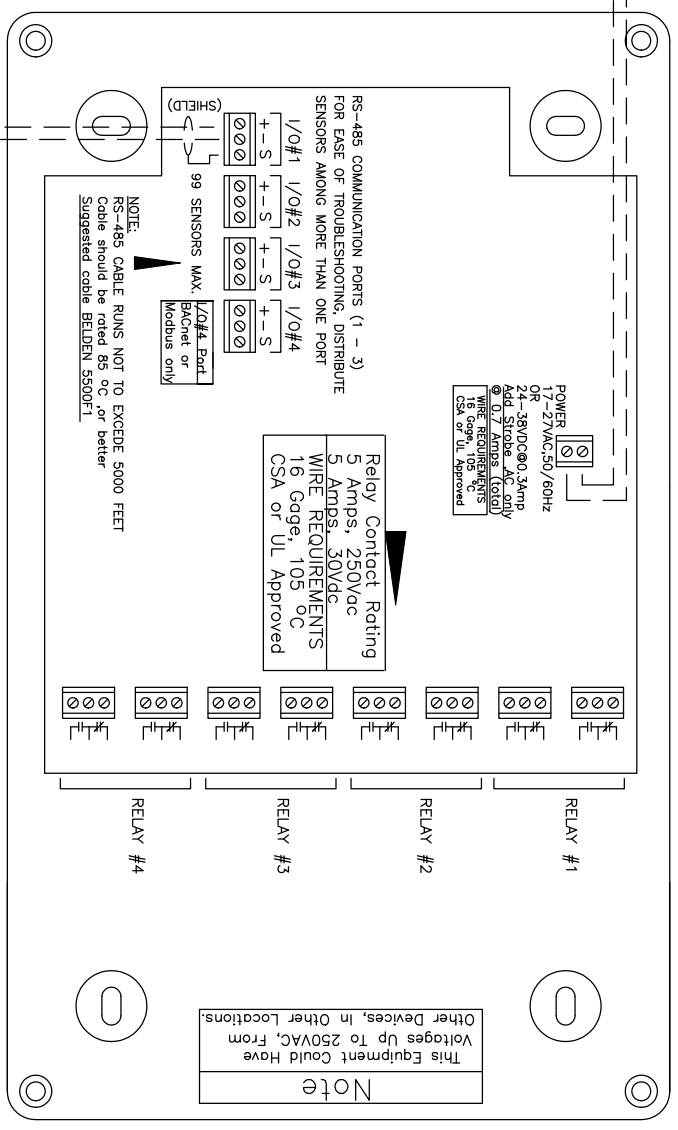
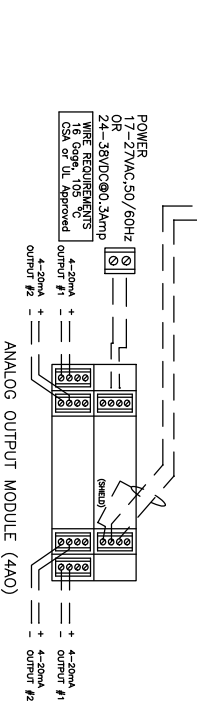
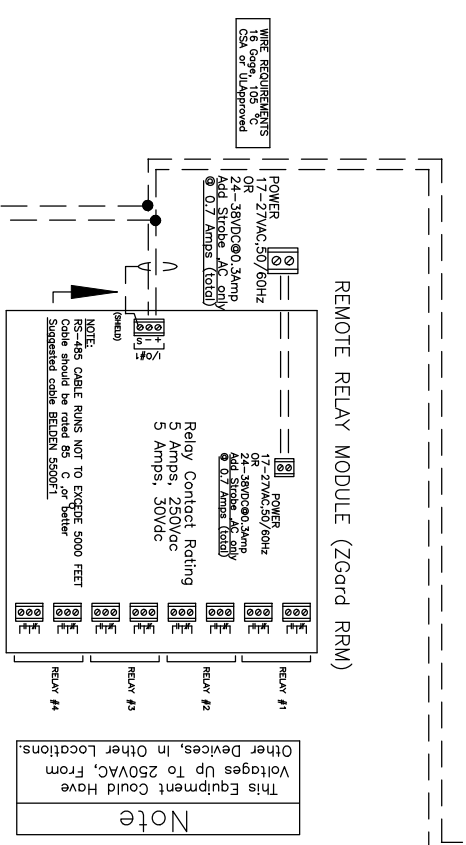
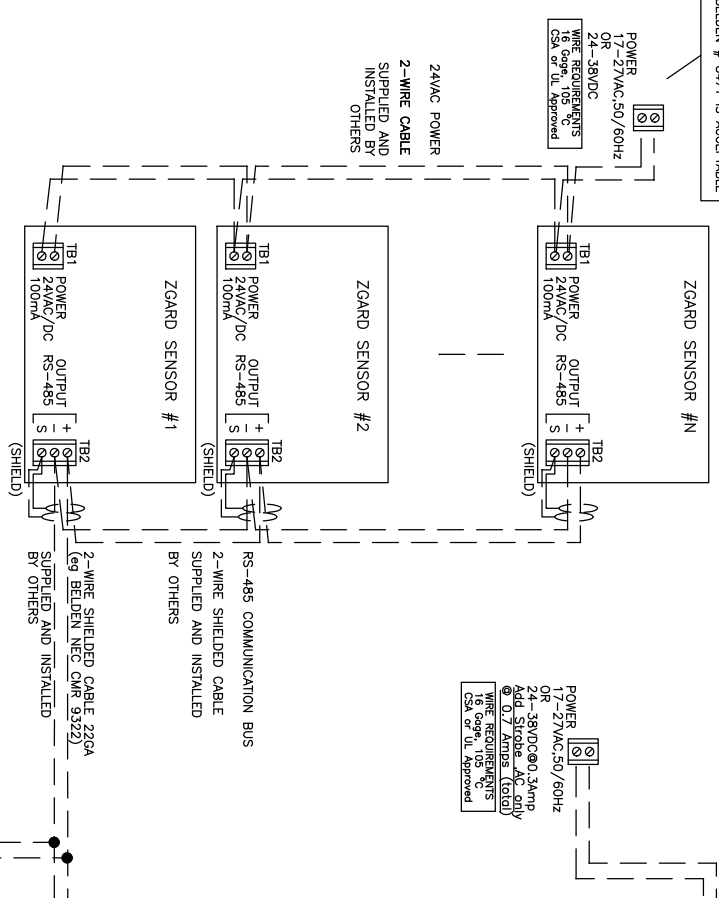


NOTE: MULTIPLE 24VAC TRANSFORMERS SHOULD BE USED SO POWER WIRE CAN BE 16 GAUGE (9 AMPS MAX) BELDEN # 8471 IS ACCEPTABLE

FOR DAISS-CHAIN (SERIES) WIRING OF ZGARD S SENSORS TO THE ZGARD CX II AS SHOWN HERE, EACH SENSOR MUST BE UNIQUELY ADDRESSED VIA SWITCHES ON SENSOR CIRCUIT BOARD.

ZGard CXII CONTROLLER



NOTE:
 1. DIMENSIONS SHOWN IN INCHES (MILLIMETERS).
 2. SYSTEM MAY CHANGE TO IMPROVE PERFORMANCE.

REV.E 1/O#4	BACnet Label
REV.D	Cautions Removed
REV.C	Powerlabels/Relay Rating
REV.B	Sensor Wiring Changed + ZRM
MSA	
CHKD: V.B	DATE: Jun. 26/08 DRN: D.P
ZGARD CX II Programmable Controller Installation Outline	
DWG. NO.:	107389-1
REV. E	