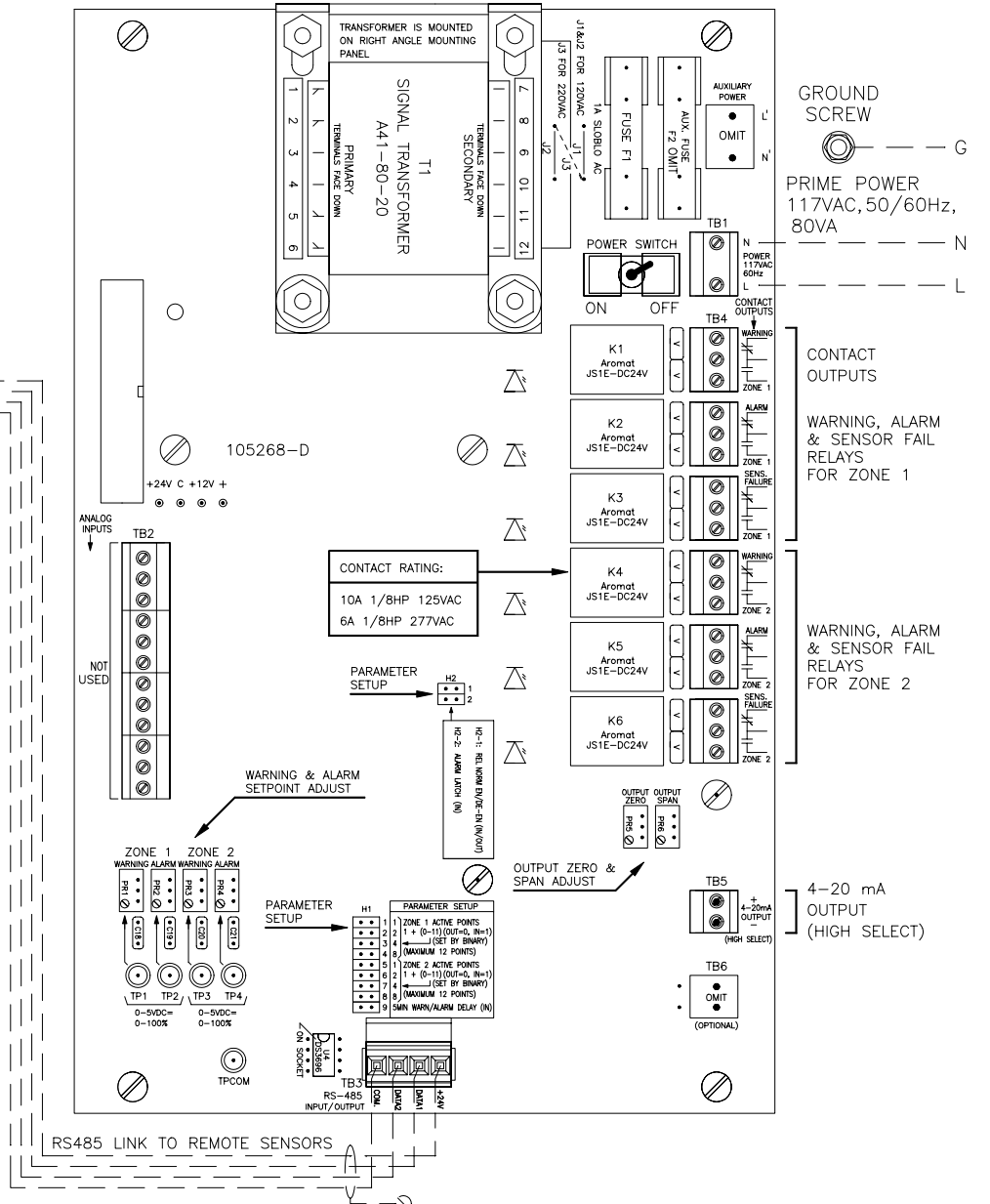
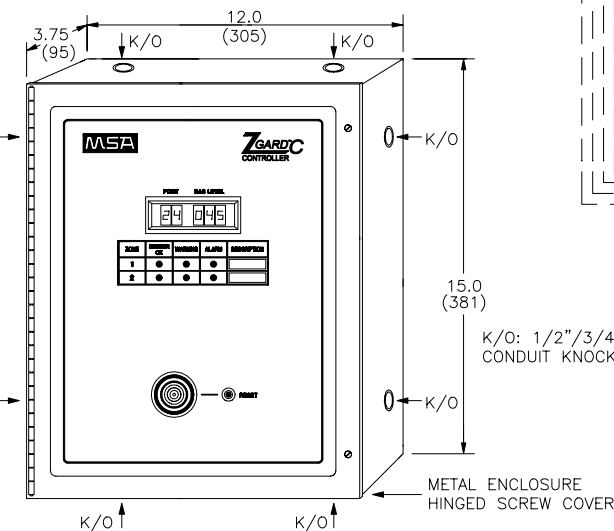
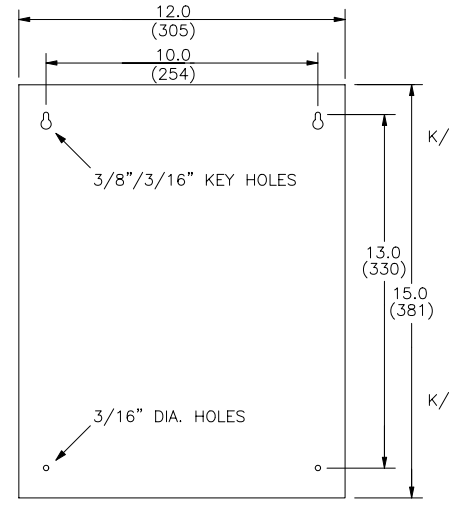


FOR DAISY-CHAIN (SERIES) WIRING OF ZGARD S SENSORS TO THE ZGARD C 485 CONTROLLER AS SHOWN HERE, EACH SENSOR MUST BE UNIQUELY ADDRESSED VIA JUMPERS ON SENSOR CIRCUIT BOARD.

CABLE LENGTH VS. SIZE (AWG#)		4	6	8	10	12	14	16	18	20	22	24
CABLE LENGTH FEET	No. OF SENSORS											
1 TO 500	AWG #	22	22	22	22	22	20	20	20	18	18	18
501 TO 1,000	AWG #	22	20	20	20	18	18	18	18	18	16	16
1,001 TO 1,500	AWG #	20	18	18	16	16	16	16	16	16	14	14
1,501 TO 2000	AWG #	18	16	16	14	14	14	14	14	14	14	14

SUGGESTED CABLE	
GAUGE (AWG#)	4-WIRE SHIELDED CABLE
22	ALPHA WIRE 5504
20	ALPHA WIRE 5514
18	ALPHA WIRE 5524
16	ALPHA WIRE 5534
14	ALPHA WIRE 5544



NOTES:  
 1. DIMENSIONS SHOWN IN INCHES (MILLIMETERS).  
 2. SYSTEM MAY CHANGE TO IMPROVE PERFORMANCE.

<b>MSA</b>		
CHKD:	DATE: Dec. 22/04	DRN: KS
<b>ZGARD C 485 24-Channel, 2-Zone Controller Installation Outline</b>		
DWG. NO.:	106932	REV. A