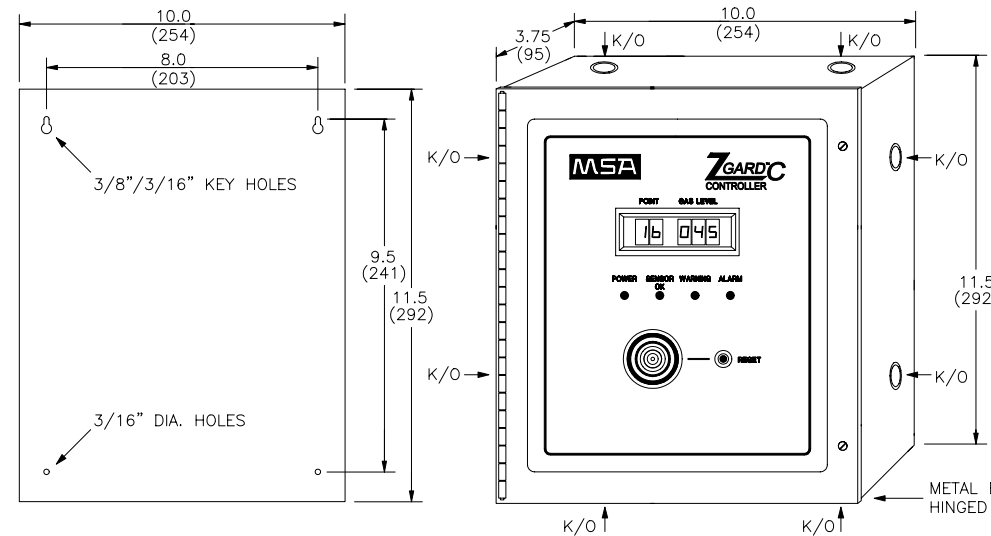


FOR DAISY-CHAIN (SERIES) WIRING OF ZGARD S SENSORS TO THE ZGARD C 485 CONTROLLER AS SHOWN HERE, EACH SENSOR MUST BE UNIQUELY ADDRESSED VIA JUMPERS ON SENSOR CIRCUIT BOARD.

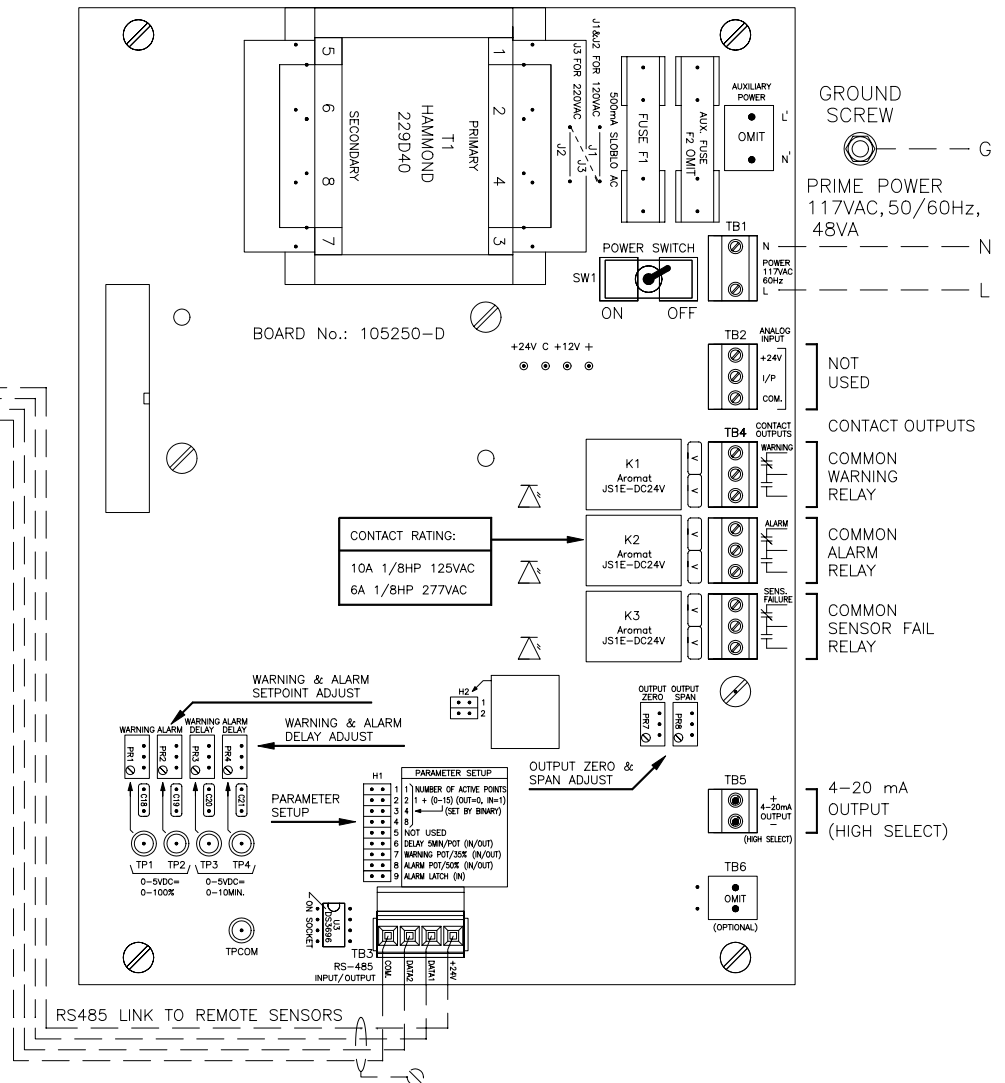
CABLE LENGTH VS. SIZE (AWG#)		4	6	8	10	12	14	16
CABLE LENGTH FEET	No. OF SENSORS							
1 TO 500	AWG #	22	22	22	22	22	20	20
501 TO 1,000	AWG #	22	20	20	20	18	18	18
1,001 TO 1,500	AWG #	20	18	18	16	16	16	16
1,501 TO 2000	AWG #	18	16	16	14	14	14	14

SUGGESTED CABLE	
GAUGE (AWG#)	4-WIRE SHIELDED CABLE
22	ALPHA WIRE 5504
20	ALPHA WIRE 5514
18	ALPHA WIRE 5524
16	ALPHA WIRE 5534
14	ALPHA WIRE 5544



K/O: 1/2"/3/4" CONDUIT KNOCK OUT

- NOTES:
- DIMENSIONS SHOWN IN INCHES (MILLIMETERS).
 - SYSTEM MAY CHANGE TO IMPROVE PERFORMANCE.



MSA		
CHKD:	DATE: Dec. 22/04	DRN: KS
ZGARD C 485 16-Channel, 1-Zone Controller Installation Outline		
DWG. NO.:	106926	REV. A