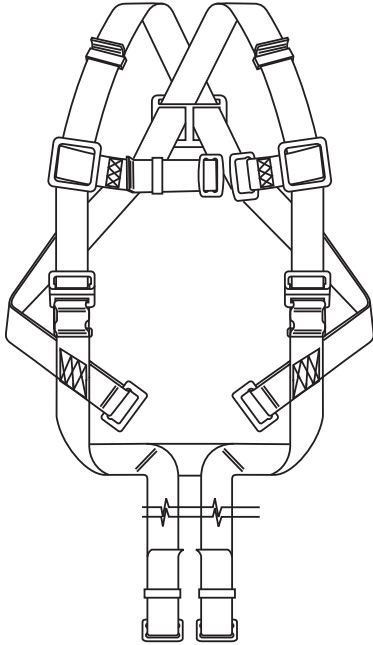


# Workman® Harness Product Specifications



## MATERIALS

<b>Web:</b>	1 3/4" (44 mm) nominal width, Polyester
<b>D-Ring:</b>	2 3/16" (56 mm) nominal width Zinc-plated, stamped-alloy steel
<b>Hardware:</b>	Zinc-plated, stamped-alloy steel
<b>Thread:</b>	Polyester Box stitches: 3 cord thread Reinforcement stitches: 5 cord thread
<b>Plastic Parts:</b>	PVC
<b>Labels:</b>	Valeron, NRV

## TECHNICAL

<b>Web Minimum Breaking Strength:</b>	6,000 pounds
<b>D-Ring Minimum Breaking Strength:</b>	5,000 pounds Proof-tested to 3,600 pounds
<b>Maximum Capacity:</b>	400 pounds (181 kg)

## CERTIFICATION

<b>OSHA:</b>	All applicable standards including 1910.66 and 1926.502
<b>ANSI:</b>	A10.32 and Z359.1-2007
<b>CSA:</b>	Z259.10-M90 classes A and P

# Workman® Lifelines Product Specifications

## MATERIALS

<b>Rope:</b>	5/8" (16mm) PolySteel
<b>Connector:</b>	Zinc-plated, steel carabiner or stamped snaphook
<b>Labels:</b>	Valeron, NRV

## TECHNICAL

<b>Rope Minimum Breaking Strength:</b>	7530 pounds (33.5 kN)
<b>Connector Minimum Breaking Strength:</b>	5000 pounds (22.2 kN), Proof-tested to 3600 pounds (16 kN)
<b>Maximum Capacity:</b>	310 pounds (141 kg)

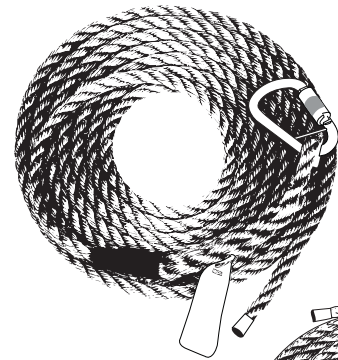
## CERTIFICATION

### LIFELINE WITH CARABINER

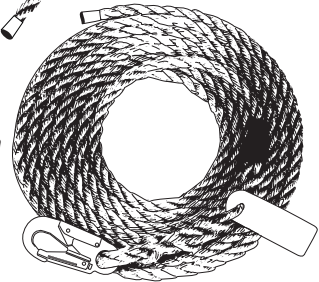
<b>OSHA:</b>	All applicable standards
<b>ANSI:</b>	ANSI Z359.1 & A10.32
<b>CSA:</b>	CSA Z259.2.1 when used with Workman rope grab 10077718

### LIFELINE WITH SNAPHOOK

<b>OSHA:</b>	All applicable standards
<b>ANSI:</b>	A10.32



Lifeline with carabiner



Lifeline with snaphook

# Roof Anchor Product Specifications

## MATERIALS

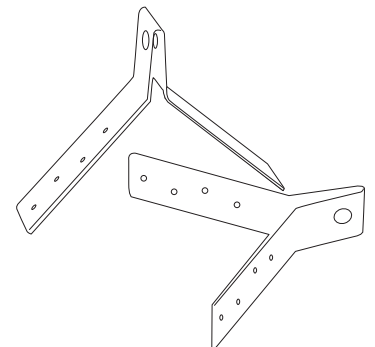
<b>Roof Anchor:</b>	Zinc-plated, stamped steel
<b>Labels:</b>	Vinyl

## TECHNICAL

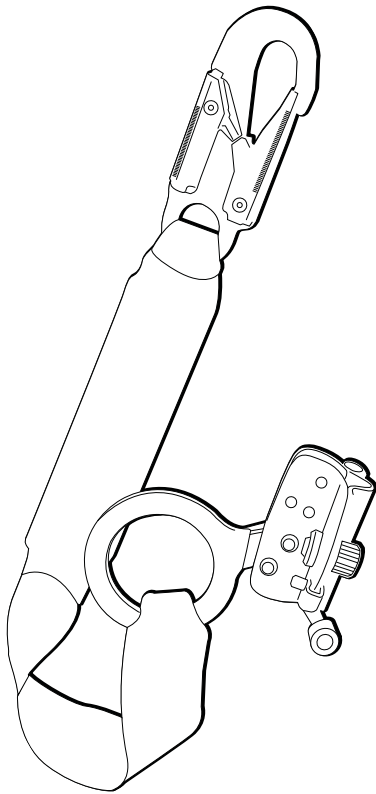
<b>Minimum Breaking Strength:</b>	5000 pounds (22.2 kN)
<b>Maximum Capacity:</b>	400 pounds (181 kg)

## CERTIFICATION

<b>OSHA:</b>	All applicable standards
<b>ANSI:</b>	A10.32



# Workman® Trailing Rope Grab (10077718) Product Specifications



## MATERIALS

<b>Web:</b>	1 3/4" (44 mm) nominal width, Polyester
<b>Thread:</b>	Polyester: 3 cord thread
<b>Fall Arrester:</b>	Zinc-plated, steel
<b>Snaphook:</b>	Zinc-plated, steel, stamped
<b>Labels:</b>	Valeron, NRV

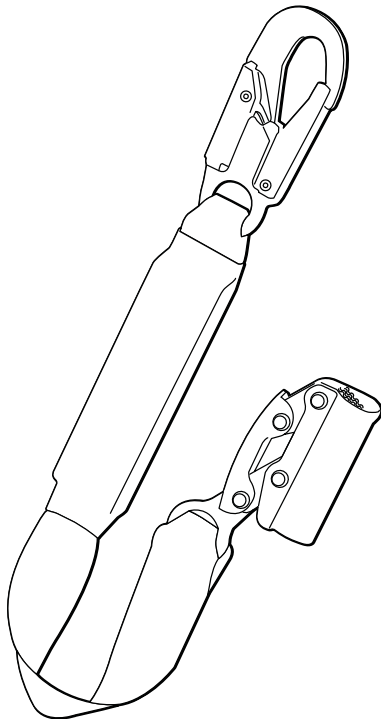
## TECHNICAL

<b>Web Minimum Breaking Strength:</b>	6,000 pounds (26.7 kN)
<b>Snaphook Minimum Breaking Strength:</b>	5,000 pounds Proof-tested to 3,600 pounds (16 kN)
<b>Maximum Capacity</b>	310 pounds (141 kg)

## CERTIFICATION

<b>OSHA:</b>	All applicable standards
<b>ANSI:</b>	A10.32
<b>CSA:</b>	CSA Z259.2.1 when used with Workman lifelines using SRP9200 rope

# Workman® Manual Rope Grab (10077719) Product Specifications



## MATERIALS

<b>Web:</b>	1 3/4" (44 mm) nominal width, Polyester
<b>Thread:</b>	Polyester: 3 cord thread
<b>Fall Arrester:</b>	Zinc-plated, steel
<b>Snaphook:</b>	Zinc-plated, steel, stamped
<b>Labels:</b>	Valeron, NRV

## TECHNICAL

<b>Web Minimum Breaking Strength:</b>	6,000 pounds (26.7 kN)
<b>Snaphook Minimum Breaking Strength:</b>	5,000 pounds Proof-tested to 3,600 pounds (16 kN)
<b>Maximum Capacity</b>	310 pounds (141 kg)

## CERTIFICATION

<b>OSHA:</b>	All applicable standards
<b>ANSI:</b>	A10.32