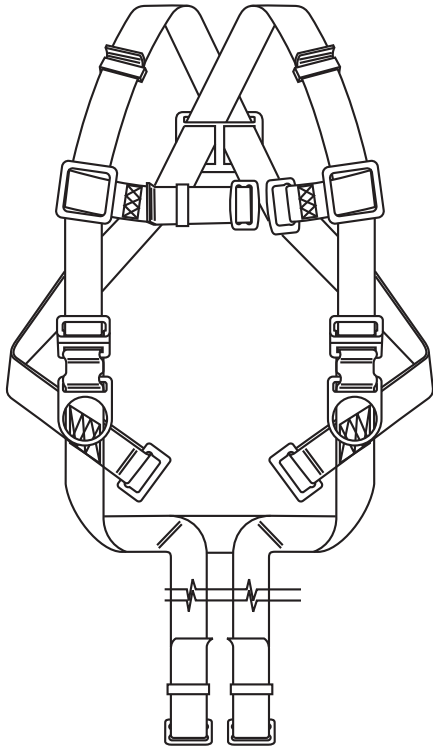


# Workman™ Harness Product Specifications



## MATERIALS

<b>Web:</b>	1 3/4" (44 mm) nominal width, Polyester
<b>D-Ring:</b>	2 3/8" (56 mm) nominal width Zinc-plated, stamped-alloy steel
<b>Hardware:</b>	Zinc-plated, stamped-alloy steel
<b>Thread:</b>	Polyester Box stitches: 3 cord thread Reinforcement stitches: 5 cord thread
<b>Plastic Parts:</b>	PVC
<b>Labels:</b>	Valeron, NRV

## TECHNICAL

<b>Web Minimum Breaking Strength:</b>	6,000 pounds
<b>D-Ring Minimum Breaking Strength:</b>	5,000 pounds Proof-tested to 3,600 pounds
<b>Maximum Capacity:</b>	400 pounds (181 kg)

## CERTIFICATION

<b>OSHA:</b>	All applicable standards including 1910.66 and 1926.502
<b>ANSI:</b>	A10.32 and Z359.1-2007
<b>CSA:</b>	Z259.10-M90 classes A and P

# Workman™ Lanyard Product Specifications

## MATERIALS

<b>Lanyard:</b>	
<b>Web:</b>	1" (25 mm) nominal width Polyester 8500 pound minimum breaking strength
<b>Shock Absorber:</b>	
<b>Web:</b>	1 3/4" (44 mm) nominal width Polyester 6000 pound minimum breaking strength
<b>Thread:</b>	Polyester Box stitches: 3 cord thread
<b>Connecting Hardware:</b>	
<b>Snaphook:</b>	Zinc-plated, stamped-alloy steel 100% proof tested to 3600 pounds (16 kN) 5000 pound (22.2 kN) minimum breaking strength 3/4" (19 mm) gate opening
<b>Adjusting hardware:</b>	Zinc-plated, forged-alloy steel 5000 pound (22.2 kN) minimum breaking strength

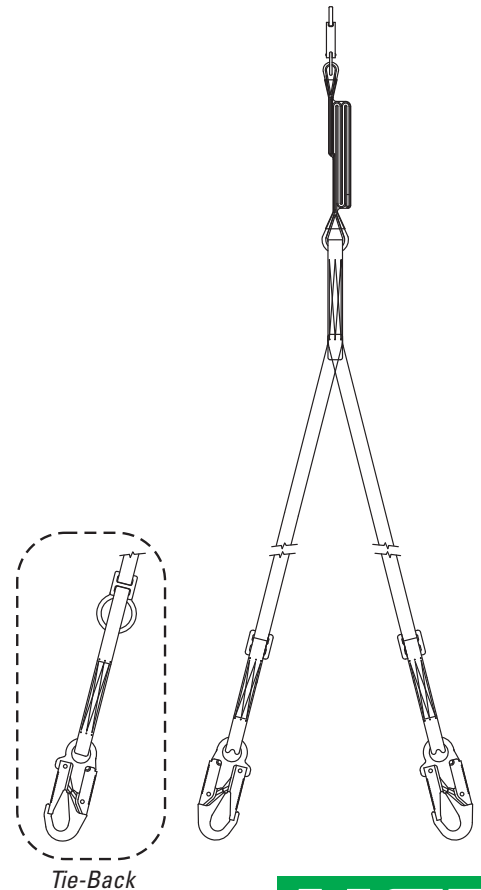
## TECHNICAL

<b>Maximum Capacity:</b>	310 pounds (141 kg) for OSHA; 115kg for CSA Z259.11-05 E4
<b>Minimum Capacity:</b>	99 pounds (45 kg) for OSHA; 45kg for CSA Z259.11-05 E4
<b>Standard Lanyard Length:</b>	6' adjustable
<b>Maximum Arresting Force:</b>	900 pounds (4 kN)

## CERTIFICATION

This product meets or exceeds the following standards:

<b>OSHA:</b>	1910.66 and 1926.502
<b>ANSI:</b>	A10.32
<b>CSA:</b>	Z259.11-05 E4



Tie-Back

