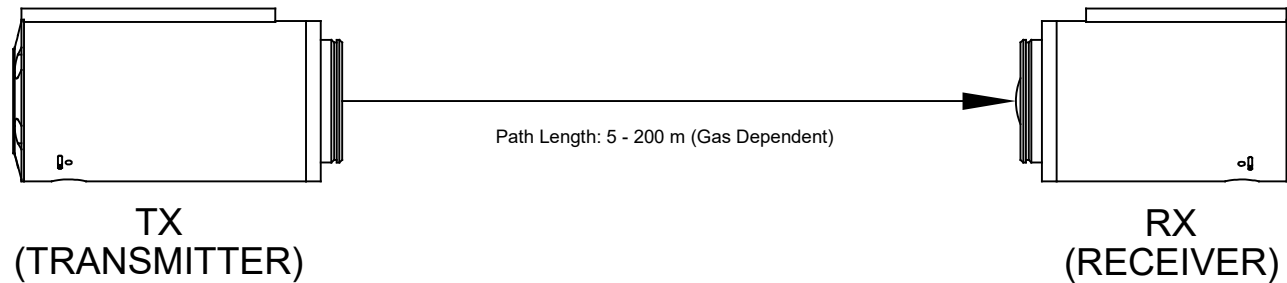
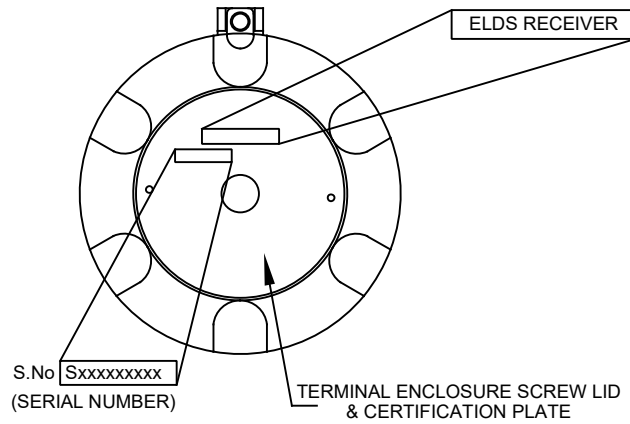
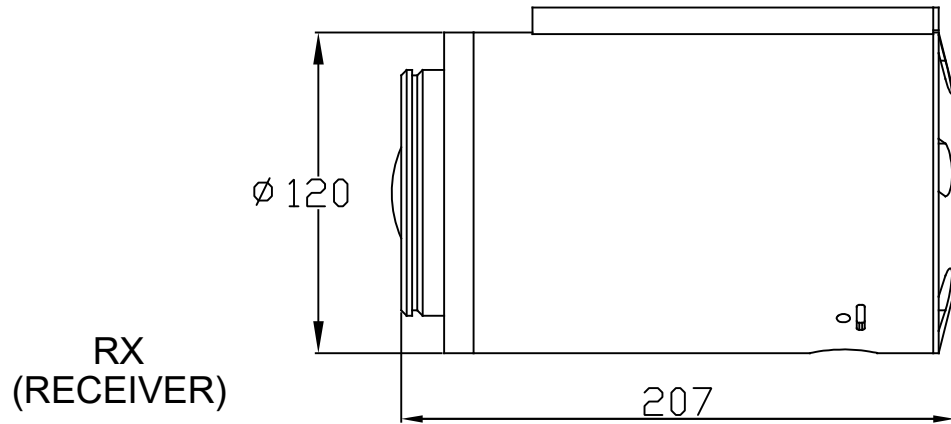
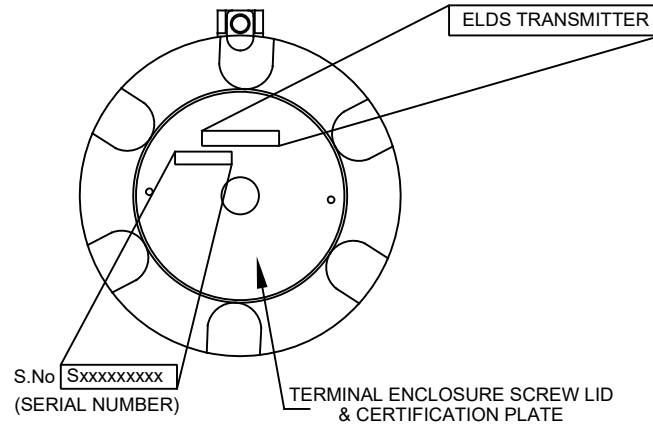
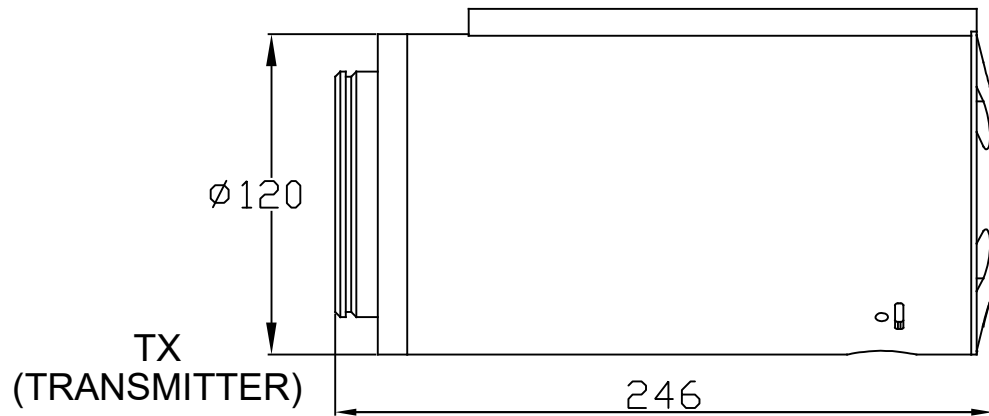


THIS DOCUMENT IS THE PROPERTY OF Senscient Ltd. AND CONTAINS INFORMATION WHICH IS PROPRIETARY. THIS INFORMATION IS TO BE HELD IN CONFIDENCE. NO DISCLOSURE OR OTHER USE OF THIS DOCUMENT IS TO BE MADE WITHOUT THE PRIOR WRITTEN CONSENT OF Senscient Ltd.

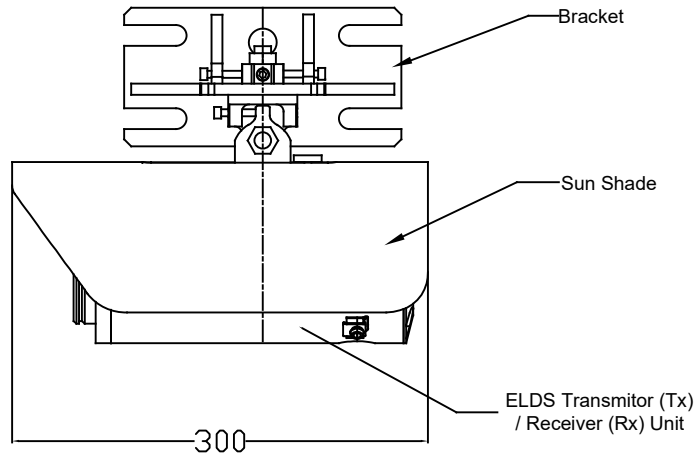


NOTES:

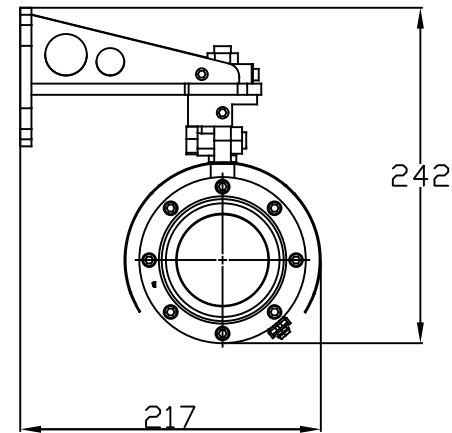
Vendor/Supplier Name:	Senscient		
Vendor/Supplier Doc. No.:	Page 1 of 6	Rev Date:	Rev No.:
Drawing No.:	01-01-2556-D	21/3/17	1
Document title:	UNIT IDENTIFICATION GENERAL ARRANGMENT DRAWING FOR ELDS 1000/2000		
Equipment Description:	OPEN PATH GAS DETECTORS		
Paper Size A3	Scale: NTS		
ALL MEASUREMENTS IN mm UNLESS OTHERWISE STATED			

THIS DOCUMENT IS THE PROPERTY OF Senscient Ltd. AND CONTAINS INFORMATION WHICH IS PROPRIETARY. THIS INFORMATION IS TO BE HELD IN CONFIDENCE. NO DISCLOSURE OR OTHER USE OF THIS DOCUMENT IS TO BE MADE WITHOUT THE PRIOR WRITTEN CONSENT OF Senscient Ltd.

SIDE VIEW

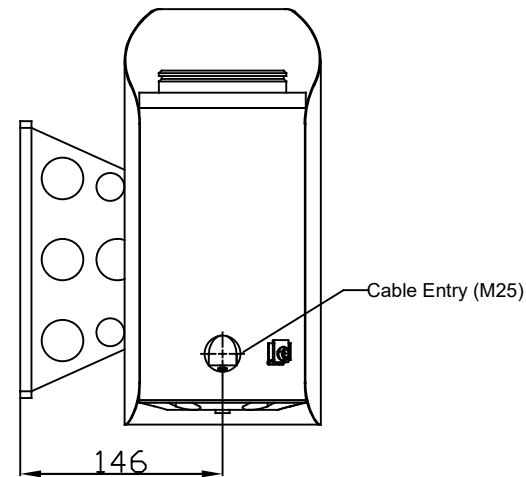


FRONT VIEW

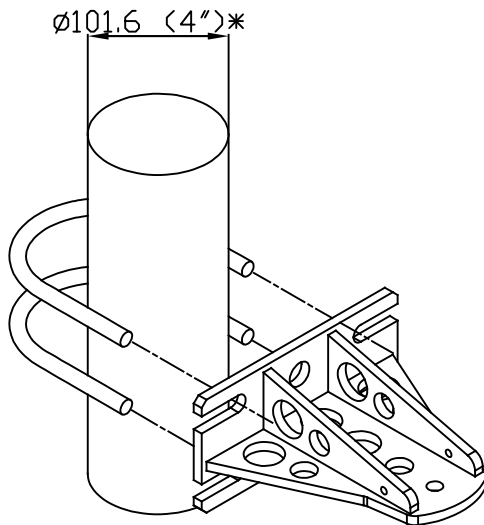


PLAN VIEW

(underside)



ITEM	WEIGHT (Kg)
Bracket	3.05
Sunshade	1.0
Rx (Unit Only)	7.4
Tx (Unit Only)	8.2
Rx (Complete)	11.45
Tx (Complete)	12.24



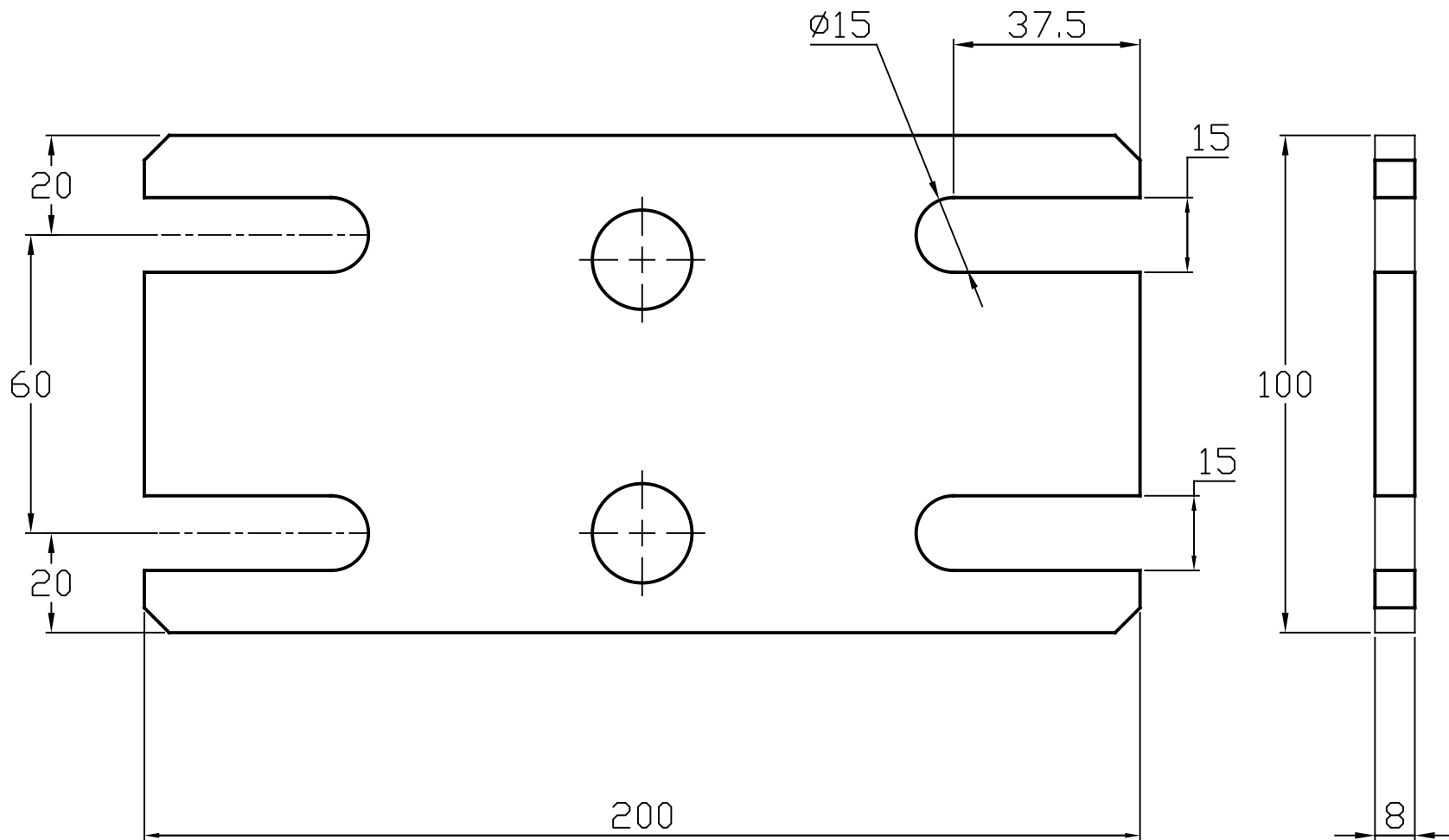
* 4" = nominal Size. Capable of upto 6"

Illustrations of Senscient ELDS Series 2000 Trasmitter Unit (Tx) - For Reference only. A Senscient ELDS Series 2000 system is made up of a Transmitter and Receiver (Receiver not shown)

NOTES:

Vendor/Supplier Name:	Senscient		
Vendor/Supplier Doc. No:	Page 2 of 6	Rev Date	Rev No.
Drawing No.:	01-01-2556-D	21/3/17	1
Document title:	MOUNTING OVERVIEW GENERAL ARRANGMENT DRAWING FOR ELDS 1000/2000		
Equipment Description:	OPEN PATH GAS DETECTORS		
Paper Size A3	Scale: NTS		
ALL MEASUREMENTS IN mm UNLESS OTHERWISE STATED			

THIS DOCUMENT IS THE PROPERTY OF Senscient Ltd. AND CONTAINS INFORMATION WHICH IS PROPRIETARY. THIS INFORMATION IS TO BE HELD IN CONFIDENCE. NO DISCLOSURE OR OTHER USE OF THIS DOCUMENT IS TO BE MADE WITHOUT THE PRIOR WRITTEN CONSENT OF Senscient Ltd.

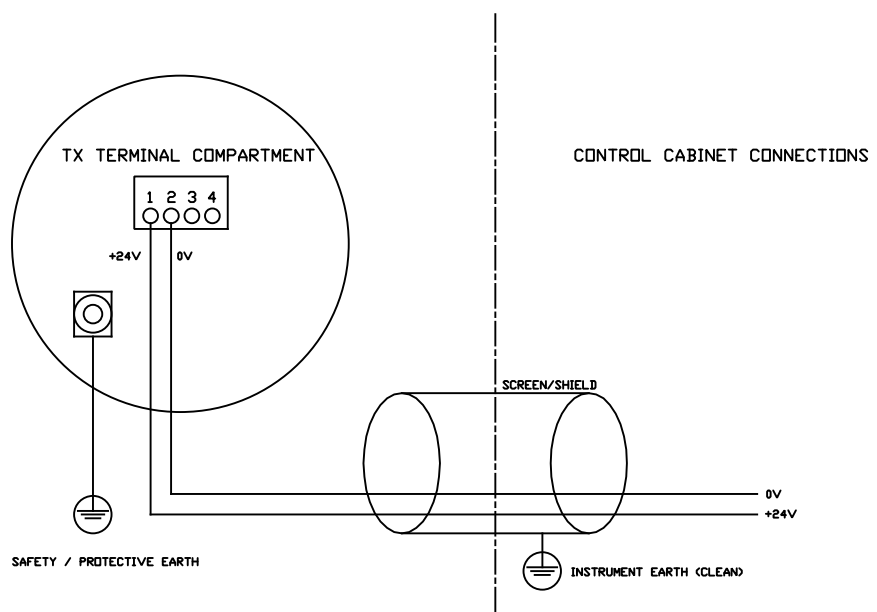


NOTES:

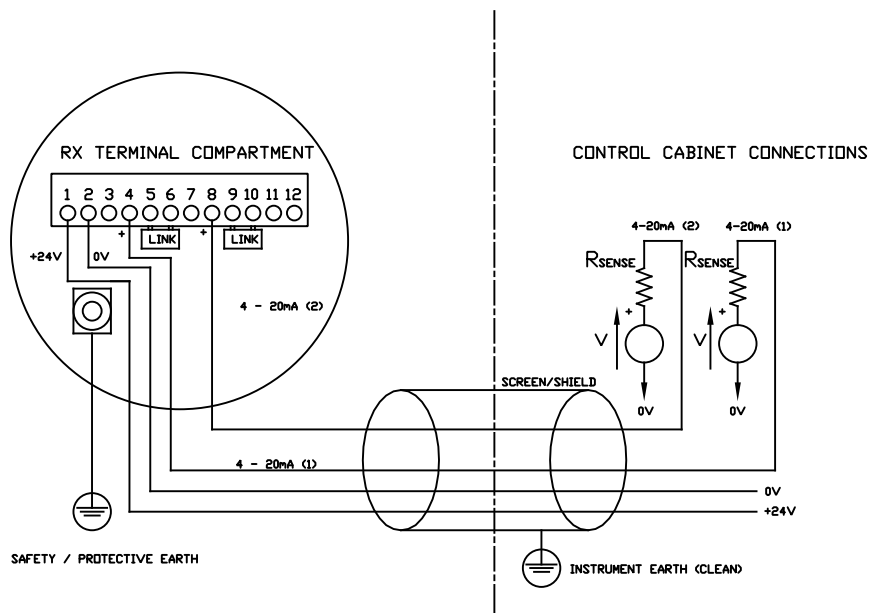
Vendor/Supplier Name:	Senscient		
Vendor/Supplier Doc. No:	Page 3 of 6	Rev Date	Rev No.
Drawing No.:	01-01-2556-D	21/3/17	1
Document title:	MOUNTING BRACKET DETAILS GENERAL ARRANGMENT DRAWING FOR ELDS 1000/2000		
Equipment Description:	OPEN PATH GAS DETECTORS		
Paper Size A3	Scale: NTS		
ALL MEASUREMENTS IN mm UNLESS OTHERWISE STATED			

THIS DOCUMENT IS THE PROPERTY OF Senscient Ltd AND CONTAINS INFORMATION WHICH IS PROPRIETARY. THIS INFORMATION IS TO BE HELD IN CONFIDENCE. NO DISCLOSURE OR OTHER USE OF THIS DOCUMENT IS TO BE MADE WITHOUT THE PRIOR WRITTEN CONSENT OF Senscient Ltd.

ELDS Transmitter Connections



ELDS Receiver Connections (Current Sink)

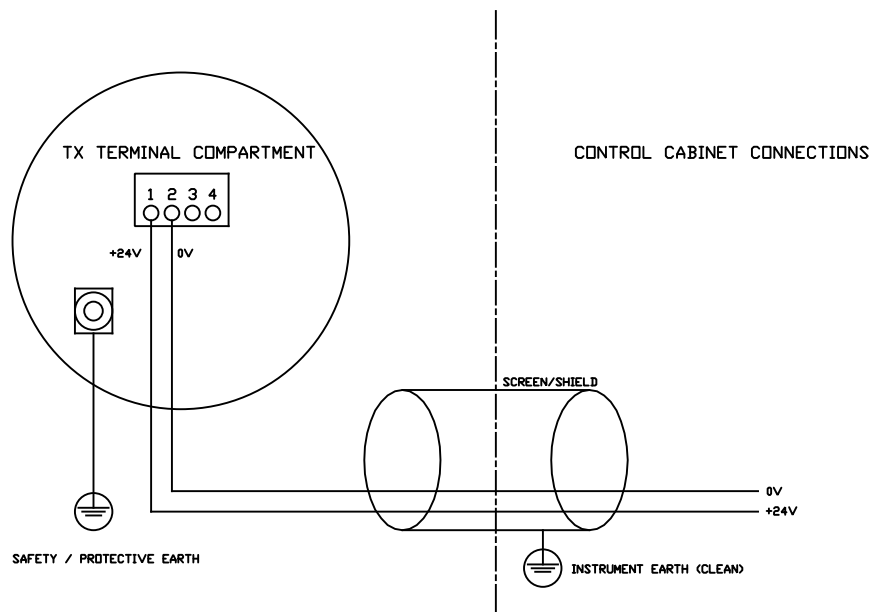


NOTES:

Vendor/Supplier Name:	Senscient		
Vendor/Supplier Doc. No.:	Page 4 of 6	Rev Date:	Rev No.:
Drawing No.:	01-01-2556-D	21/3/17	1
Document title:	WIRING - CURRENT SINK GENERAL ARRANGMENT DRAWING FOR ELDS 1000/2000		
Equipment Description:	OPEN PATH GAS DETECTORS		
Paper Size A3:	Scale: NTS		
ALL MEASUREMENTS IN mm UNLESS OTHERWISE STATED			

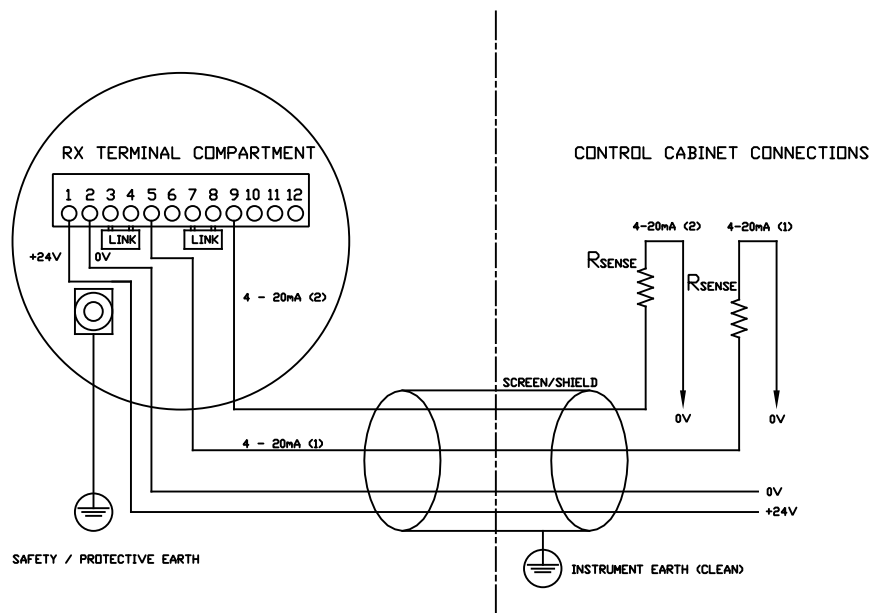
THIS DOCUMENT IS THE PROPERTY OF Senscient Ltd AND CONTAINS INFORMATION WHICH IS PROPRIETARY. THIS INFORMATION IS TO BE HELD IN CONFIDENCE. NO DISCLOSURE OR OTHER USE OF THIS DOCUMENT IS TO BE MADE WITHOUT THE PRIOR WRITTEN CONSENT OF Senscient Ltd.

ELDS Transmitter Connections



NOTES:

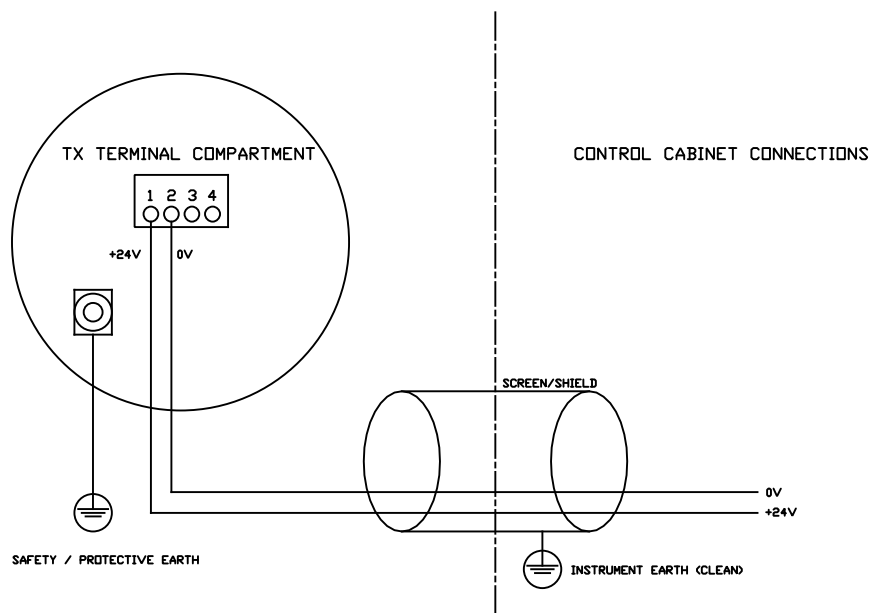
ELDS Receiver Connections (Current Source)



Vendor/Supplier Name:	Senscient		
Vendor/Supplier Doc. No:	Page 5 of 6	Rev Date	Rev No.
Drawing No.:	01-01-2556-D	21/3/17	1
Document title:	WIRING - CURRENT SOURCE GENERAL ARRANGMENT DRAWING FOR ELDS 1000/2000		
Equipment Description:	OPEN PATH GAS DETECTORS		
Paper Size A3	Scale: NTS		
ALL MEASUREMENTS IN mm UNLESS OTHERWISE STATED			

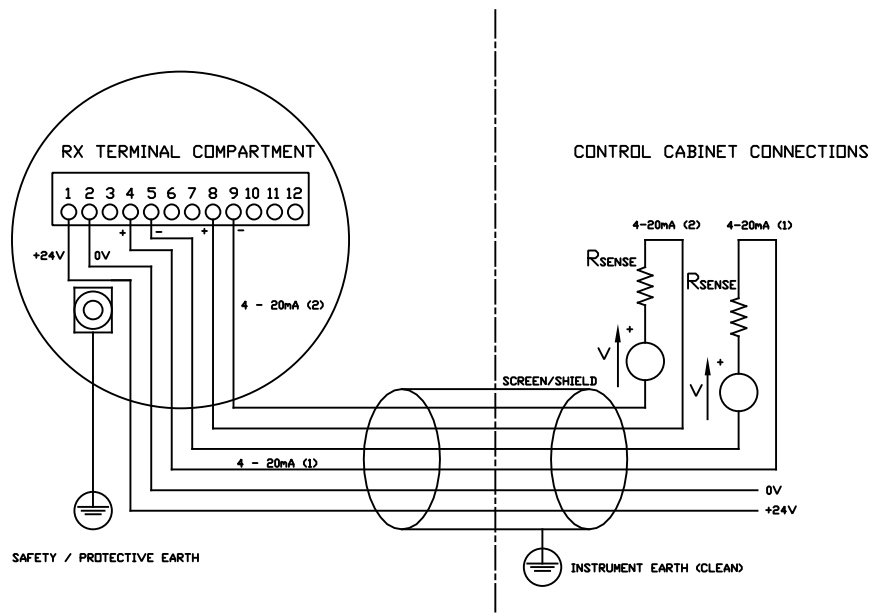
THIS DOCUMENT IS THE PROPERTY OF Senscient Ltd. AND CONTAINS INFORMATION WHICH IS PROPRIETARY. THIS INFORMATION IS TO BE HELD IN CONFIDENCE. NO DISCLOSURE OR OTHER USE OF THIS DOCUMENT IS TO BE MADE WITHOUT THE PRIOR WRITTEN CONSENT OF Senscient Ltd.

ELDS Transmitter Connections



NOTES:

ELDS Receiver Connections (Isolated Output)



Vendor/Supplier Name:	Senscient		
Vendor/Supplier Doc. No.:	Page 6 of 6	Rev Date:	Rev No.:
Drawing No.:	01-01-2556-D	21/3/17	1
Document title:	WIRING - ISOLATED OUTPUT GENERAL ARRANGMENT DRAWING FOR ELDS 1000/2000		
Equipment Description:	OPEN PATH GAS DETECTORS		
Paper Size A3	Scale: NTS		
ALL MEASUREMENTS IN mm UNLESS OTHERWISE STATED			