

Operating Manual

MSA AUER SSR 90 [K60]

EN 13794 K/60/S



MSA AUER GmbH
Thiemannstrasse 1
D-12059 Berlin

Germany

© MSA AUER GmbH. All rights reserved

Contents

1	Safety Regulations	4
1.1	Correct Use	4
1.2	Liability Information	5
1.3	Safety and Precautionary Measures	5
2	Description	6
2.1	Overview	6
2.2	Function	7
2.3	Marking	8
2.4	Demonstration and Training Device	8
3	Use	9
3.1	Important Escape Rules	9
3.2	Donning the Device	9
4	Maintenance and Cleaning	12
4.1	Maintenance Instructions	12
4.2	Return of Used Device	12
4.3	Tightness Test	13
4.4	Maintenance Intervals	14
4.5	Documentation	14
5	Transport regulations	15
6	Disposal	15
7	Technical Data	15
8	Ordering Information	16

1 Safety Regulations

1.1 Correct Use

The SSR 90 [K60] self-rescuer is a respiratory protection device [chemical oxygen apparatus] for self-rescuing which is independent of the ambient atmosphere. It protects the wearer of the devices during escape from a dangerous ambient atmosphere or whilst waiting for rescue from poisonous gases, toxic particles and oxygen depletion. It is to be used exclusively for self-rescue under dangerous conditions and is not intended for long-term use.

The device described in this operating manual comply with the European Directive 89/686/EEC [PPE Directive].

The device is developed for one mission, used devices must always be replaced, reuse is not permitted.



Warning!

The device may only be used once and must never be reused. Used or opened devices must be replaced by new devices.

It is imperative that this operating manual be read and observed when using the product. In particular, the safety instructions, as well as the information for the use and operation of the product, must be carefully read and observed. Furthermore, the national regulations applicable in the user's country must be taken into account for a safe use.



Danger!

This product is supporting life and health. Inappropriate use, maintenance or servicing may affect the function of the device and thereby seriously compromise the user's life.

Before use the product operability must be verified. The product must not be used if the function test is unsuccessful, it is damaged, a competent servicing/maintenance has not been made, genuine MSA spare parts have not been used.

Alternative use, or use outside this specification will be considered as non-compliance. This also applies especially to unauthorised alterations to the product and to commissioning work that has not been carried out by MSA or authorised persons.

1.2 Liability Information

MSA accepts no liability in cases where the product has been used inappropriately or not as intended. The selection and use of the product are the exclusive responsibility of the individual operator.

Product liability claims, warranties also as guarantees made by MSA with respect to the product are voided, if it is not used, serviced or maintained in accordance with the instructions in this manual.

1.3 Safety and Precautionary Measures



Attention!

Chemical Oxygen Escape Devices used in mining may be subject to particular Mining-Regulations that are to be observed.

There is an ignition danger in case the device is destroyed and the oxygen generating chemical comes into contact with combustible substances, e.g. coal.

Also observe official regulations applicable in the country of use.



Attention!

Defective devices must not be used!

Removed defect devices from service and return them to MSA for inspection.



For wearers of spectacles, the special eye protectors [goggles] which are worn over the spectacles are recommended.

2 Description

2.1 Overview

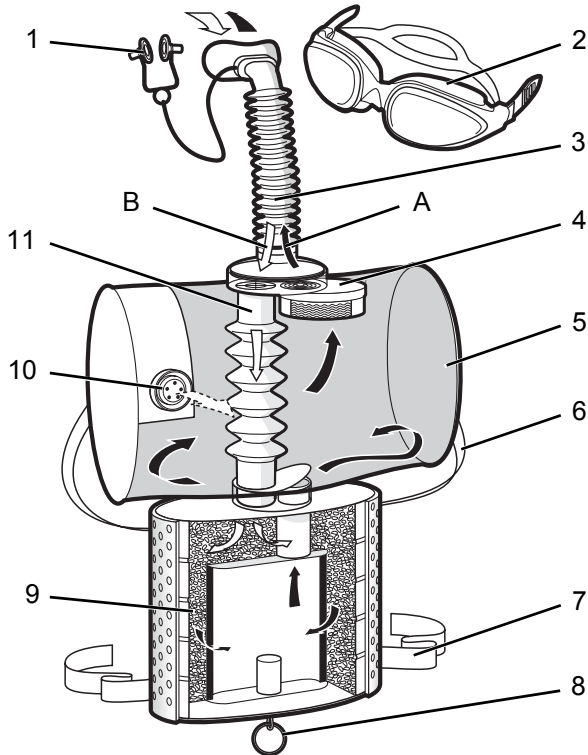


Fig. 1 Design of the device

A	Inhalation	6	Neck strap
B	Exhalation	7	Waist belt
1	Nose clip	8	Quick starter
2	Gas protective goggles	9	KO ₂ -canister
3	Breathing tube with mouthpiece	10	Pressure relief valve
4	Particle filter	11	Corrugated tube
5	Breathing bag		

The device is contained in an enclosed and sealed sturdy stainless steel container.

The device includes a chemical canister with potassium hyperoxide [KO₂], which is required for the regeneration of the exhaled air.

After starting the device it is directly ready for use. During the escape, the device supplies the wearer with breathable air which is prepared in the KO₂ canister.

The device is carried by a carrying strap over the shoulder.

The device is equipped with a starter for the initiation of use which is actuated when the device is put on. The breathing bag then fills with oxygen. During the escape, the breathing air prepared in the KO₂ canister is made available in the breathing bag.

2.2 Function

The device supplies the wearer with oxygen which is created from the chemical potassium hyperoxide [KO₂]. In an emergency, the container is opened and the respiratory protection device is taken out.

The device has a closed breathing circuit. When in operation, the exhaled air is transferred into the chemical canister with the potassium hyperoxide. The potassium hyperoxide reacts with the humidity and the carbon dioxide of the exhaled air and, at the same time, creates oxygen and heat. The air for inhalation prepared in this way is fed into the breathing bag and is then inhaled again.

The amount of resulting oxygen depends on the intensity of respiration. Increased respiration [more carbon dioxide, more humidity] increases the formation of oxygen or vice versa.

When the device is used for breathing, the KO₂ canister warms up, as does the inhalation air, gradually. This is normal and indicates the correct operation of the device.

The end of oxygen supply is indicated by increase of the inhalation resistance.

After actuating the starter, the breathing bag immediately fills with oxygen and breathing can begin.



Warning!

The device must only be opened for use!

Otherwise humidity from the ambient air can penetrate the open device and affect the performance.

Used or opened devices must be replaced by new devices.

2.3 Marking

The devices are classified according to EN 13794 and marked with the type [code letter] and nominal duration [minutes]. The type, nominal duration and referenced standard are marked on the device.

The device is marked as follows:

Device	Marking	
	front side	bottom side
MSA AUER	MSA	Serial No.
SSR 90 [K60]	SSR 90	Date of manufacture
	EN 13794	Weight

2.4 Demonstration and Training Device

The demonstration and training device can be used for demonstration and practise of wearing and breathing without using a chemical canister. The inhalation air is taken from the ambient air and the exhalation air is expelled outside.

The demonstration and training device is comparable in size, weight, external construction, handling and breathing resistance to the emergency use devices.

To distinguish it from the emergency use devices, the demonstration and training device has marked blue.



For the demonstration and training device the breathing air is taken from the ambient atmosphere, i.e. training must be made in environments free from contamination.

3 Use

3.1 Important Escape Rules

The device protects the wearer during escape from a dangerous ambient atmosphere. During the escape, the following rules must always be observed:

1. Stay calm!
2. Choose the shortest route to safe ambient air!
3. Breathe calmly! Extra air will be consumed if breathing is fast and irregular.
4. Do not damage or compress the breathing bag, otherwise lifesaving oxygen may be lost!
5. The mouthpiece must be tight between teeth and lips and be tightly enclosed with the lips.



The device must always be available for emergencies. The device can be put into operation with a few simple hand movements in about 20 seconds.

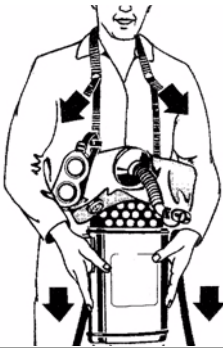
3.2 Donning the Device

Donning the SSR 90 [K60]



Opening the Container

- (1) Place the container on a solid surface. The label "Side facing body" points to the user, the red locking lever points to the right.
- (2) Pull the locking lever upwards in the direction of the arrow until the seal breaks.
- (3) Remove cover.
 - ▷ After opening, the first thing seen and available is the neck strap.



Fitting the Neck Strap

- (4) Take off the protective helmet, if used.
- (5) Place the neck strap around the neck, straighten and tighten until the device is located across the chest.
- (6) Pull the container downwards and remove using both hands.



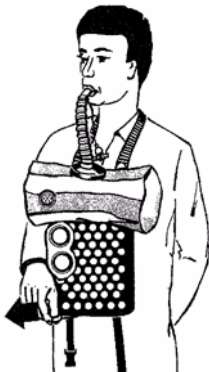
Attention!

The device must only be pulled out of the container using the neck strap. Otherwise, the device could be damaged and thus would no longer provide secure protection.



Attention!

Activate the device before donning any equipment.



Inserting Mouthpiece and Activating the Device

- (7) Place mouthpiece into mouth with flange of mouthpiece between teeth and lips.
- (8) Bite down on the two lugs.
- (9) Exhale into the device.
 - ▷ So the breathing bag is inflated.
- (10) Now pull the start ring under the device forwards.
 - ▷ The starter automatically fills the bag with oxygen.

**Fit Nose Clip**

- (11) Grasp nose clip by rubber nipples, pull nose pads apart and fit them unto nose.

**Fit Waist Belt**

- (12) Fit waist belt on the right side and tighten.

**Fit Goggles**

- (13) Remove goggles from neck strap.
(14) Fit the goggles.
(15) Tighten goggles straps.
(16) Put the protective helmet on, if used.

4 Maintenance and Cleaning

4.1 Maintenance Instructions

To maintain readiness for use, the device must be inspected regularly, checked for integrity, tightness and, if necessary, cleaned [do not use metal brushes!].

As the device contains a chemical which is sensitive to moisture, it is packed in an airtight container and is sealed at the factory.

The frequency of inspection depends on the device load [→ chapter 4.4].

For used and/or opened devices, the chemical canister must always be replaced, reuse is not permitted. Internal checks and any repairs to the devices are to be carried out by the MSA Customer Service or authorized service centers.

4.2 Return of Used Device

For return of used or opened devices, observe the following:

- Pack the device and components in the device containers only after they have cooled down and are dry.
- No organic substances must enter the chemical canisters [e.g. solvents, oils, etc.].
- Observe transport regulations [→ chapter 5].

If the complete device cannot be packed in the container, the following procedure is required:

- Remove the chemical canister from the device:
 - (1) Therefor loosen the clamp and remove the breathing bag and breathing tube.
 - (2) Pack the chemical canister inside the container and seal with the original locking assembly of the container.
 - ▷ Do not use finely cutted filling material.
- Place the other components of the device with the closed container in a carefully packed package.
- The components must be complete and undamaged.

4.3 Tightness Test

The tightness test of the device is carried out using the MSA tightness tester for chemical oxygen breathing protection apparatus. Detailed descriptions of the structure, function, use and maintenance of the tightness tester can be taken from the relevant operating manual of the tightness tester [→ chapter 8].

The tightness test of the device is carried out as follows:

- (1) Push the device without any straps into the tightness tester in such a way that the cover points towards the door.
- (2) Close the door and lock.
- (3) Set timer to 90 s.
- (4) Create overpressure with the lever, i.e. push the lever downwards until it engages and start the timer at the same time.
- (5) After 30 seconds, cover the black pointer with the red pointer.
- (6) After a further 60 seconds, the timer signals the end of the test period. Then read the pressure difference between the red and the black pointers.

The device is tight if the black pointer remains in the prescribed pressure range and if the pressure difference is no more than 5 mbar.

If the pressure drop is more than 5 mbar, the unit must be replaced.

4.4 Maintenance Intervals



National regulation must be observed, e.g. control interval according German Mining Regulation.

User specific conditions may require shorter intervals.

The service life depends on the type and kind of treatment to which the device were subjected.

Intervals ¹	Inspection
Before and after carrying	External visual check: Check, that the seal is intact and that there are no external damages on the device.
Annully	Tightness check ²
After 3 years ³	Tightness check ² and complete check ⁴ of 3% of the representative population of devices which are carried along or stored on vehicles.
After 5 years ³	Tightness check and complete check ⁴ of 3% of the population.
After 7 years ³	Tightness check ² and complete check ⁴ of 3% of the population.
After 9 years	Tightness check ² and complete check ⁴ of 3% of the population.
After 10 years	Replace device, use no longer permitted.

1. The intervals are based on the date of manufacture [month/year] on the container. Devices manufactured in the same year are considered as "population" and should be combined for inspection.
2. Tightness test with tightness tester D1118845 or by MSA Customer Service.
3. It is recommended that a service contract with MSA Customer Service is made.
4. Complete check = Internal inspection and check. The result will decide whether the device can be used further.

4.5 Documentation

MSA recommends keeping a file for each device where the serial numbers, the dates of manufacture and the dates and results of the inspections are recorded.

5 Transport regulations

Chemical oxygen devices are classified as Dangerous Goods under Class 5.1 with the designation and hazard label "5.1, 3356, oxygen generator, chemical". Regard packing group II.

Undamaged and unopened devices can be transported in the packing material supplied with the device or in a different approved method of packing.

Damaged and/or opened devices should be welded into a plastic bag and packaged as described in chapter 4.1.

Notes concerning the various transport methods can be taken from the EU safety data sheet.

6 Disposal

The chemical canister contains strong alkaline and oxidizing substances [potassium hydroxide, potassium carbonate and potassium hyperoxide].

For disposal local regulations are to be observed.

7 Technical Data

SSR 90 [K60]	
Weight [total]	approx. 4.9 kg
Weight [ready for use]	approx. 3.4 kg
Dimensions	height: approx. 310 mm width: approx. 220 mm depth: approx. 120 mm
Carrying mode	with carrying strap
Carrying mode [during use]	in front of chest
Storage conditions	Normal climate, temperature: -10°C to 30°C
Temperature at start	-10°C to 50°C
Ambient temperature in use	-20°C to 50°C
Temperature class	T1 and T2
Service life	max. 10 years [without being used]
Breathing resistance	Inhalation: 4 mbar Exhalation: 6 mbar
Oxygen content	more than 21% by volume
Carbon dioxide content	0.5 - 1.5% by volume

SSR 90 [K60]	
Temperature of inhalation air	+30°C to +55°C
Service time	
at escape conditions	60 min [breathing volume 35 l/min]
waiting for rescue ¹	up to 5 h [breathing volume 10 l/min]

1. The actual duration time may deviate from the service time in dependency on the breathing air volume. As such the duration time in relation to a breathing air volume of only 10 l/min [e.g. sitting and waiting for rescue while breathing from the device] extends up to 5 hours.

8 Ordering Information

Description	Article No.
SSR 90 [K60]	D1118701
Demonstration and Training Device SSR 90 [K60] TR	D1118709
Accessories	
Shoulder strap	10029099
Shoulder ring [pack of 10]	D1118871
Goggles [pack of 5]	10110466
Tightness Tester for closed devices	D1118845
Leak-test Module for Tightness Tester MSA AUER SSR 90 [K60]	D1118317
Spare parts	
Labels [pack of 5]	10110618
Reflective stripe for container	D1118090
Poster SSR 90 [K60], design and airflow	D0998152

MSA in Europe

[www.msa-europe.com & www.msa-gasdetection.com]

Northern Europe

Netherlands

MSA Nederland

Kernweg 20
1627 LH Hoorn
Phone +31 [229] 25 03 03
Fax +31 [229] 21 13 40
info@msaned.nl

Belgium

MSA Belgium

Duwijkstraat 17
2500 Lier
Phone +32 [3] 491 91 50
Fax +32 [3] 491 91 51
msabelgium@msa.be

Great Britain

MSA Britain

Lochard House
Linnet Way
Strathclyde Business Park
BELLSHILL ML4 3RA
Scotland
Phone +44 [16 98] 57 33 57
Fax +44 [16 98] 74 0141
info@msabritain.co.uk

Sweden

MSA NORDIC

Kopparbergsgatan 29
214 44 Malmö
Phone +46 [40] 699 07 70
Fax +46 [40] 699 07 77
info@msanordic.se

MSA SORDIN

Rörläggarvägen 8
33153 Värnamo
Phone +46 [370] 69 35 50
Fax +46 [370] 69 35 55
info@sordin.se

Southern Europe

France

MSA GALLET

Zone Industrielle Sud
01400 Châtillon sur
Chalaronne
Phone +33 [474] 55 01 55
Fax +33 [474] 55 47 99
message@msa-gallet.fr

Italy

MSA Italiana

Via Po 13/17
20089 Rozzano [MI]
Phone +39 [02] 89 217 1
Fax +39 [02] 82 59 228
info-italy@msa-europe.com

Spain

MSA Española

Narcís Monturiol, 7
Pol. Ind. del Sudoeste
08960 Sant-Just Desvern
[Barcelona]
Phone +34 [93] 372 51 62
Fax +34 [93] 372 66 57
info@msa.es

Eastern Europe

Poland

MSA Safety Poland

ul. Wschodnia 5A
05-090 Raszyn k/Warszawy
Phone +48 [22] 711 50 33
Fax +48 [22] 711 50 19
eer@msa-europe.com

Czech Republic

MSA Safety Czech

Pikartská 1337/7
716 07 Ostrava-Radvanice
Phone +420 [59] 6 232222
Fax +420 [59] 6 232675
info@msa-auer.cz

Hungary

MSA Safety Hungaria

Francia út 10
1143 Budapest
Phone +36 [1] 251 34 88
Fax +36 [1] 251 46 51
info@msa.hu

Romania

MSA Safety Romania

Str. Virgil Madgearu, Nr. 5
Ap. 2, Sector 1
014135 Bucuresti
Phone +40 [21] 232 62 45
Fax +40 [21] 232 87 23
office@msanet.ro

Russia

MSA Russia

Leninsky Prospect 2
9th Floor, office 14
119049 Moscow
Phone +7 [495] 544 93 89
Fax +7 [495] 544 93 90
msa-moscow@msa-europe.com

Central Europe

Germany

MSA AUER

Thiemannstrasse 1
12059 Berlin
Phone +49 [30] 68 86 0
Fax +49 [30] 68 86 15 17
info@auer.de

Austria

MSA AUER Austria

Kaplanstrasse 8
3430 Tulln
Phone +43 [22 72] 63 360
Fax +43 [22 72] 63 360 20
info@msa-auer.at

Switzerland

MSA Schweiz

Eichweg 6
8154 Oberglatt
Phone +41 [43] 255 89 00
Fax +41 [43] 255 99 90
info@msa.ch

European

International Sales

[Africa, Asia, Australia, Latin
America, Middle East]

MSA EUROPE

Thiemannstrasse 1
12059 Berlin
Phone +49 [30] 68 86 55 5
Fax +49 [30] 68 86 15 17
contact@msa-europe.com