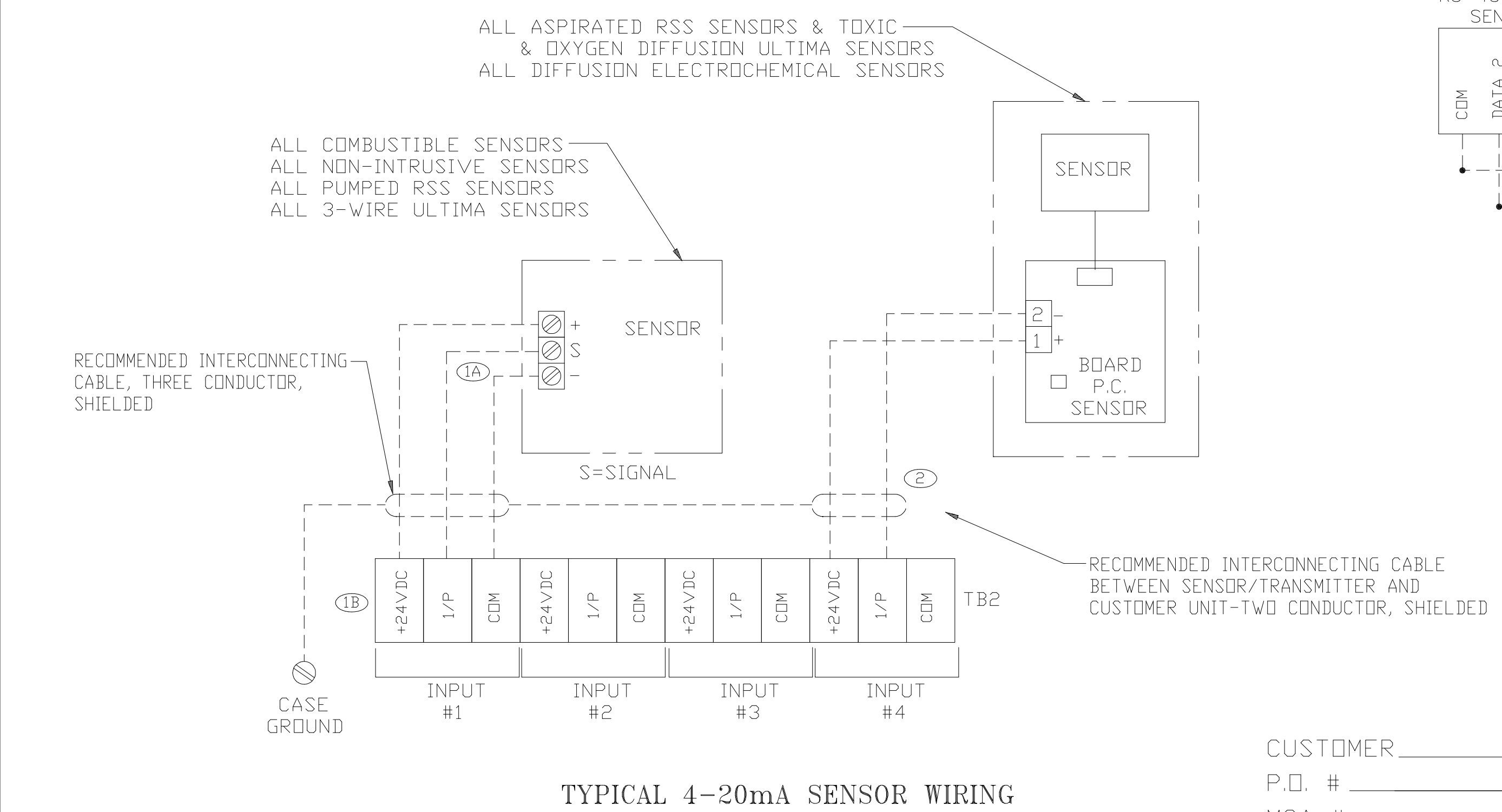
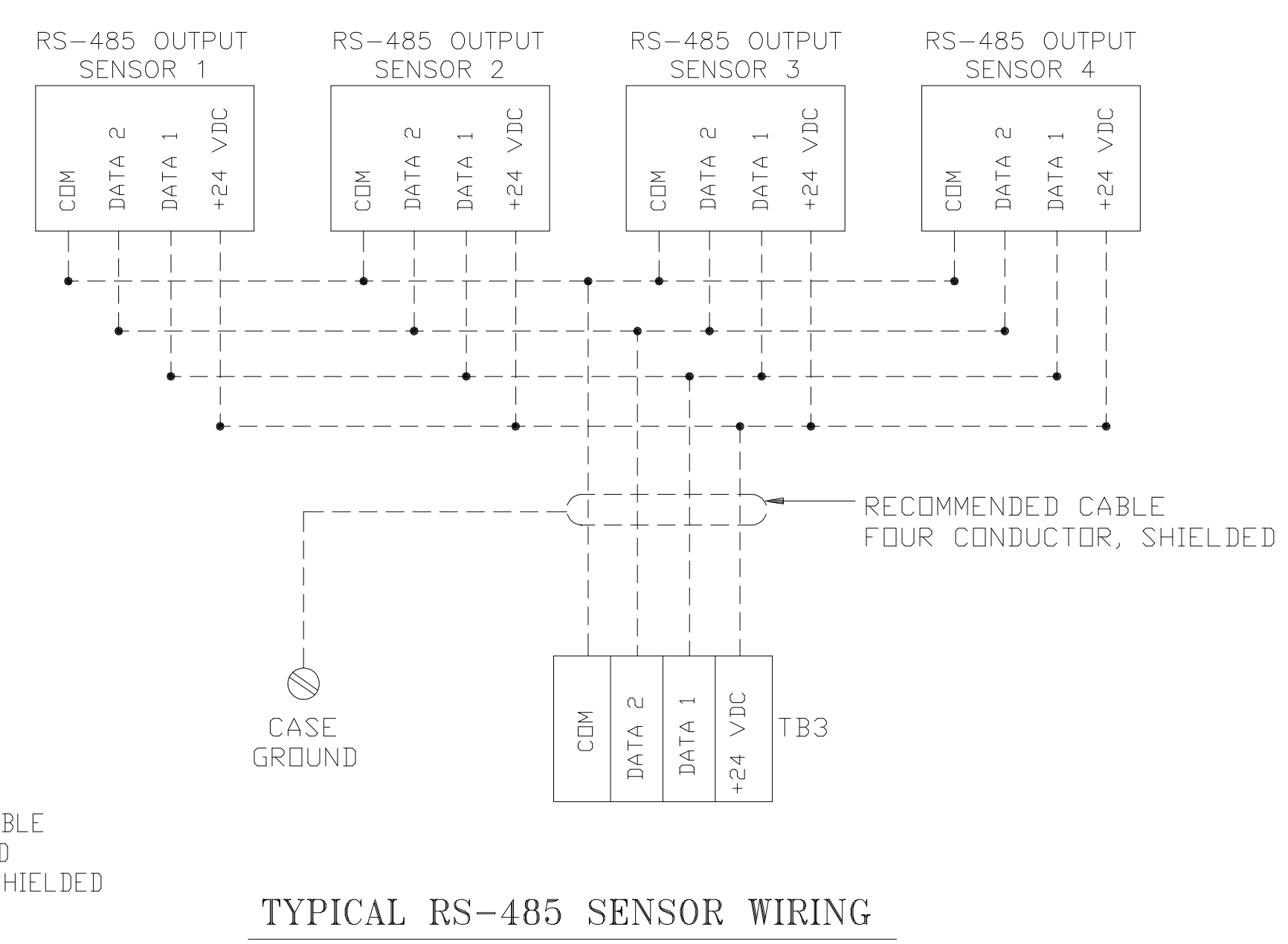


PARTS LIST				REVISIONS
ITEM NO.	PART NO. DRAWING NO.	REQ'D	DESCRIPTION	
				JUL 16 1997
①			1-7-98	
			A-SENSOR 'S' & 'L' CONNECTIONS WERE REVERSED. B-TB2 CONNECTIONS 'COM' & '+24VDC' WERE REVERSED. ECO24942 MMB RJC	
				JAN 15 1998
②			4-30-99	
			REVISED 2 WIRE SENSOR CONNECTIONS AT +24 VDC AND SENSOR BOARD. ECO-500000133315 KLN HH	



TYPICAL 4-20mA SENSOR WIRING



TYPICAL RS-485 SENSOR WIRING

NOTES:

1. ---DASHED LINES INDICATE FIELD CONNECTIONS BY OTHERS.
2. DIMENSIONS SHOWN IN INCHES (MILLIMETERS).
3. CABLE WIRING SIZE FOR SENSORS: SEE SENSOR MANUAL OR SENSOR INSTALLATION OUTLINE DRAWING.
4. WEIGHT: 11LBS. (5KG).
5. ENCLOSURE CLASSIFICATION: DESIGNED FOR NEMA 4X.
6. 24 VOLTS DC CAN BE THE BACKUP POWER WHEN THE UNIT IS POWERED WITH 117/220 VA. THIS CAN FORM A NON-INTERUPTIBLE SYSTEM.
7. RELAYS RATING: FORM C, 10AMPS @ 125 VAC - (SPDT).
8. APPROVALS: CSA NRTL/C

QTY.

□	215346	QUAD GAS II, GAS MONITORING SYSTEM, 110 VOLTS AC
□	216323	QUAD GAS II, GAS MONITORING SYSTEM, 220 VOLTS AC

CUSTOMER _____
 P.O. # _____
 MSA # _____
 LOCATION _____
 TAG # _____
 TOTAL NO. OF UNITS _____

DOCUMENT CONTROLLED BY	FILE REF. NO. J001-002	THIS DRAWING IS THE PROPERTY OF MINE SAFETY APPLIANCES COMPANY, PITTSBURGH, PENNSYLVANIA, AND IS MADE AVAILABLE TO YOU IN CONFIDENCE AND SUBJECT TO THE FOLLOWING: NO PERMISSION IS GRANTED TO PUBLISH, USE, REPRODUCE, TRANSMIT OR DISCLOSE THIS DRAWING, OR ANY INFORMATION OR IDEA CONTAINED THEREIN TO OTHERS WITHOUT THE PRIOR WRITTEN CONSENT OF MINE SAFETY APPLIANCES COMPANY EXCEPT FOR THE MANUFACTURE OF ARTICLES FOR MINE SAFETY APPLIANCES COMPANY.		DO NOT SCALE DWG.
INTERCHANGEABLE-PART	MINE SAFETY APPLIANCES COMPANY PITTSBURGH, PA.	MSA STANDARD SHOP PRACTICES APPLY		
AUTHORIZED COUNTRY	AUER M. EAST AUSTRALIA MSA EUROPE BRAZIL NETHERLANDS CANADA PERU CHILE S.E. ASIA CHINA FRANCE SWEDEN INDIA U.K. ITALY JAPAN MEXICO	CODE SYMBOLS CRITICAL MAJOR & MINOR TOLERANCES UNLESS OTHERWISE SPECIFIED FRACTIONAL ±1/64" 2 PL DEC. ±0.1 3 PL DEC. ±0.05 ANGULAR ±1/2° SEE MSA STANDARD SHOP PRACTICES FOR DRILLED HOLE TOLERANCES.	DRAWN BY DATE M.M.BANKERT 3-21-97 CHECKED BY PAUL SCHMITT 7-14-97 PROJECT ENGINEER PAUL SCHMITT 7-14-97 QUALITY ASSURANCE KEVIN McKEIGUE 7-11-97 MANUFACTURING GARY SEIGH 7-11-97	JOB NO. E610970 SCALE N.T.S.
		AGENCY CONTROLLED		YES <input type="checkbox"/> NO <input checked="" type="checkbox"/>
INSTALLATION OUTLINE				
QUAD GAS II, DISCRETE RELAYS				
DSK3015-328				